

42692-2 ✓ ACTIVE

FASTON | FASTON 250

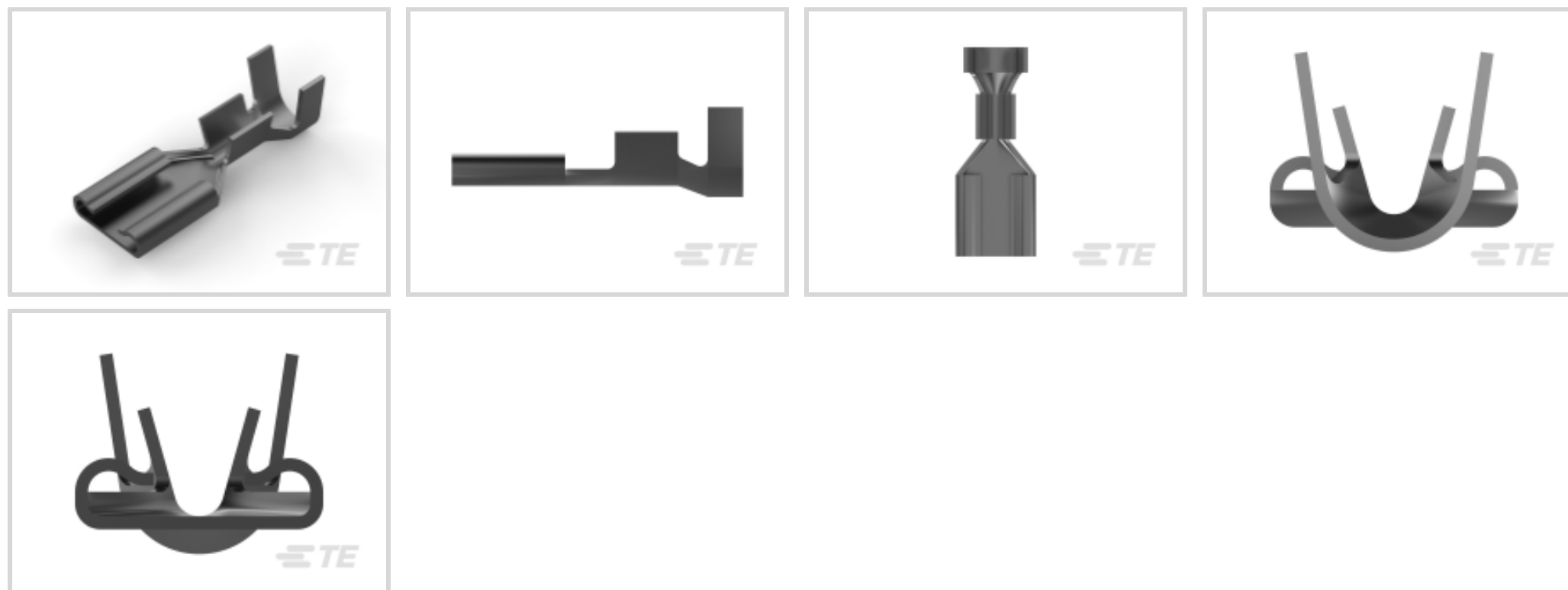
TE Internal #: 42692-2

Quick Disconnects, Receptacle, 18 – 14 AWG Wire Size, .82 – 2.08 mm<sup>2</sup> Wire Size, Mating Tab Width .25 in [6.35 mm], Straight, Brass, FASTON 250

[View on TE.com >](#)



Terminals & Splices > Quick Disconnects



Quick Disconnect Terminal Type: **Receptacle**

Wire Size: .82 – 2.08 mm<sup>2</sup>

Mating Tab Width: 6.35 mm [.25 in]

Mating Tab Thickness: .81 mm [.032 in]

## Features

### Product Type Features

|                 |              |
|-----------------|--------------|
| Terminates To   | Wire & Cable |
| Wire Stop       | No           |
| Wire/Cable Type | Regular Wire |
| Insertion Force | Low          |
| Sealable        | No           |

### Configuration Features

|                     |        |
|---------------------|--------|
| Connection Capacity | Single |
|---------------------|--------|

### Contact Features

|                                |                  |
|--------------------------------|------------------|
| Quick Disconnect Terminal Type | Receptacle       |
| Mating Tab Width               | 6.35 mm [.25 in] |
| Mating Tab Thickness           | .81 mm [.032 in] |
| Terminal Orientation           | Straight         |
| Contact Base Material          | Brass            |
| Terminal Plating Material      | Tin              |
| Crimp Type                     | F-Crimp          |



|             |      |
|-------------|------|
| Barrel Type | Open |
|-------------|------|

### Mechanical Attachment

|                         |        |
|-------------------------|--------|
| Mating Retention Type   | Dimple |
| Wire Insulation Support | With   |

### Dimensions

|  |                              |
|--|------------------------------|
| Accepts Wire Insulation Diameter Range | 3.81 – 5.08 mm [.15 – .2 in] |
| Overall Length                         | 19.81 mm [.78 in]            |
| Receptacle Terminal Stock Thickness    | .41 mm [.016 in]             |
| Wire Size                              | .82 – 2.08 mm <sup>2</sup>   |

### Usage Conditions

|                             |                             |
|-----------------------------|-----------------------------|
| Insulation Option           | Uninsulated                 |
| Operating Temperature Range | -40 – 110 °C [-40 – 230 °F] |

### Industry Standards

|               |        |
|---------------|--------|
| UL Rating     | Listed |
| CSA Certified | Yes    |

### Packaging Features

|                    |            |
|--------------------|------------|
| Packaging Quantity | 10000      |
| Packaging Method   | Strip/Reel |

### Product Compliance












[For compliance documentation, visit the product page on TE.com>](#)

|   |  |
|---|--|
| EU RoHS Directive 2011/65/EU                  | Compliant  |
| EU ELV Directive 2000/53/EC                   | Compliant  |
| China RoHS 2 Directive MIIT Order No 32, 2016 | No Restricted Materials Above Threshold  |
| EU REACH Regulation (EC) No. 1907/2006        | Current ECHA Candidate List: JUNE 2022 (224)<br>Candidate List Declared Against: JAN 2022 (223)<br>SVHC > Threshold:<br>Not Yet Reviewed |
| Halogen Content                               | Low Halogen - Br, Cl, F, I < 900 ppm per homogenous material. Also BFR/CFR/PVC Free  |
| Solder Process Capability                     | Not applicable for solder process capability   |

## Product Compliance Disclaimer

This information is provided based on reasonable inquiry of our suppliers and represents our current actual knowledge based on the information they provided. This information is subject to change. The part numbers that TE has identified as EU RoHS compliant have a maximum concentration of 0.1% by weight in homogenous materials for lead, hexavalent chromium, mercury, PBB, PBDE, DBP, BBP, DEHP, DIBP, and 0.01% for cadmium, or qualify for an exemption to these limits as defined in the Annexes of Directive 2011/65/EU (RoHS2). Finished electrical and electronic equipment products will be CE marked as required by Directive 2011/65/EU. Components may not be CE marked. Additionally, the part numbers that TE has identified as EU ELV compliant have a maximum concentration of 0.1% by weight in homogenous materials for lead, hexavalent chromium, and mercury, and 0.01% for cadmium, or qualify for an exemption to these limits as defined in the Annexes of Directive 2000/53/EC (ELV). Regarding the REACH Regulation, the information TE provides on SVHC in articles for this part number is based on the latest European Chemicals Agency (ECHA) 'Guidance on requirements for substances in articles' posted at this URL: <https://echa.europa.eu/guidance-documents/guidance-on-reach>

## Compatible Parts

|  |   |  |   |
|--|---|--|---|
|  <p>TE Part # 42845-1<br/>250 FASTON REC 18-14 AWG BR</p>         |  <p>TE Part # 42845-2<br/>250 FASTON REC 18-14 AWG TPBR</p>       |  <p>TE Part # 735211-2<br/>250 FASTON REC 14-10 AWG TPBR</p>        |  <p>TE Part # 188120-7<br/>250 FASTON, REC., 20-17 AWG, TPPB</p> |
|  <p>TE Part # 2-2150502-1<br/>OCEAN_2.0_Applicator-E-110F210F</p> |  <p>TE Part # 2-2150502-2<br/>OCEAN_2.0_Applicator-E-110F210F</p> |  <p>TE Part # 2150502-1<br/>OCEAN_2.0_Applicator-E-110F210F</p>     |  <p>TE Part # 2150502-2<br/>OCEAN_2.0_Applicator-E-110F210F</p>  |
|  <p>TE Part # 7-2150502-1<br/>OCEAN_2.0_Applicator-E-110F210F</p> |  <p>TE Part # 7-2150502-2<br/>OCEAN_2.0_Applicator-E-110F210F</p> |  <p>TE Part # 7-2150502-7<br/>OCEAN_2.0_SPARE_PART_KIT-110F210F</p> |   |

Also in the Series | **FASTON 250**



Compression Connectors(4)



Crimp Terminal Housings(143)



Insertion & Extraction Tools(6)



Magnet Wire Terminals(1)



PCB Terminals(144)

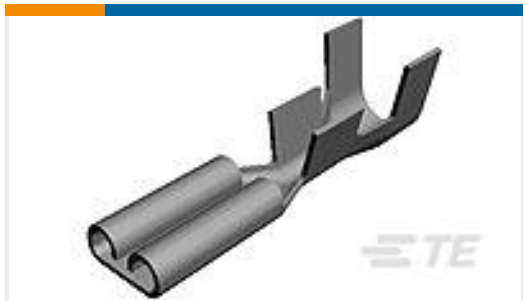


Quick Disconnects(456)

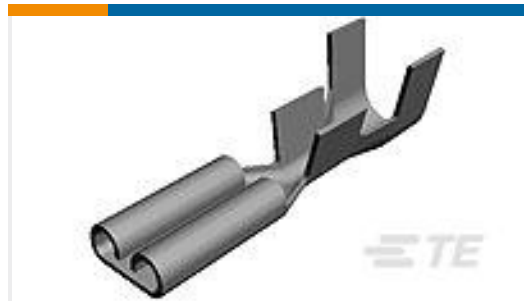


Splices(4)

### Customers Also Bought



TE Part #62050-2  
110 FASTON REC 20-16 AWG NPST



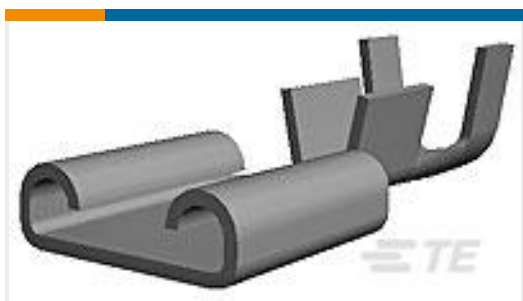
TE Part #42640-2  
250 FASTON REC 22-18 AWG TPBR



TE Part #62814-2  
250 FASTON FLAG REC 22-18 AWG TPBR



TE Part #42827-2  
PIN .093 RECEPTACLE 24-18 AWG TPBR



TE Part #170183-2  
250 FASTON,REC.,22-18 AWG,TPBR



TE Part #40661  
RING 190(4.82 MM) TERMINAL 18-14 AWG BR



TE Part #607381P046  
SCT-NO.2-E5-0-STK



TE Part #61622-1  
045SQ POST REC 24-20 010TPBR



TE Part #60196-2  
187 FASTON REC 20-16 AWG TPBR



TE Part #640052-1  
RING 18-14 AWG SST

### Documents





### Product Drawings

#### 250 FASTON REC 18-14 AWG TPBR

English

---

### CAD Files

#### Customer View Model

[ENG\\_CVM\\_CVM\\_42692-2\\_BH.2d\\_dxf.zip](#)

English

#### 3D PDF

3D

#### Customer View Model

[ENG\\_CVM\\_CVM\\_42692-2\\_BH.3d\\_igs.zip](#)

English

#### Customer View Model

[ENG\\_CVM\\_CVM\\_42692-2\\_BH.3d\\_stp.zip](#)

English

By downloading the CAD file I accept and agree to the [Terms and Conditions](#) of use.

---

### Datasheets & Catalog Pages

#### 82004 FASTON Terminals (Insulated and Uninsulated) Catalog - FASTON Receptacles Section

English

---

### Product Specifications

#### Application Specification

English

---

### Product Environmental Compliance

[MD\\_42692-2\\_03202018050\\_dmtec](#)

English

[MD\\_42692-2\\_03202018050\\_dmtec](#)

English

---

### Agency Approvals

#### CSA Certificate

English

#### CSA Certificate

English