

42192-1 ✓ ACTIVE

## AMPLIVAR

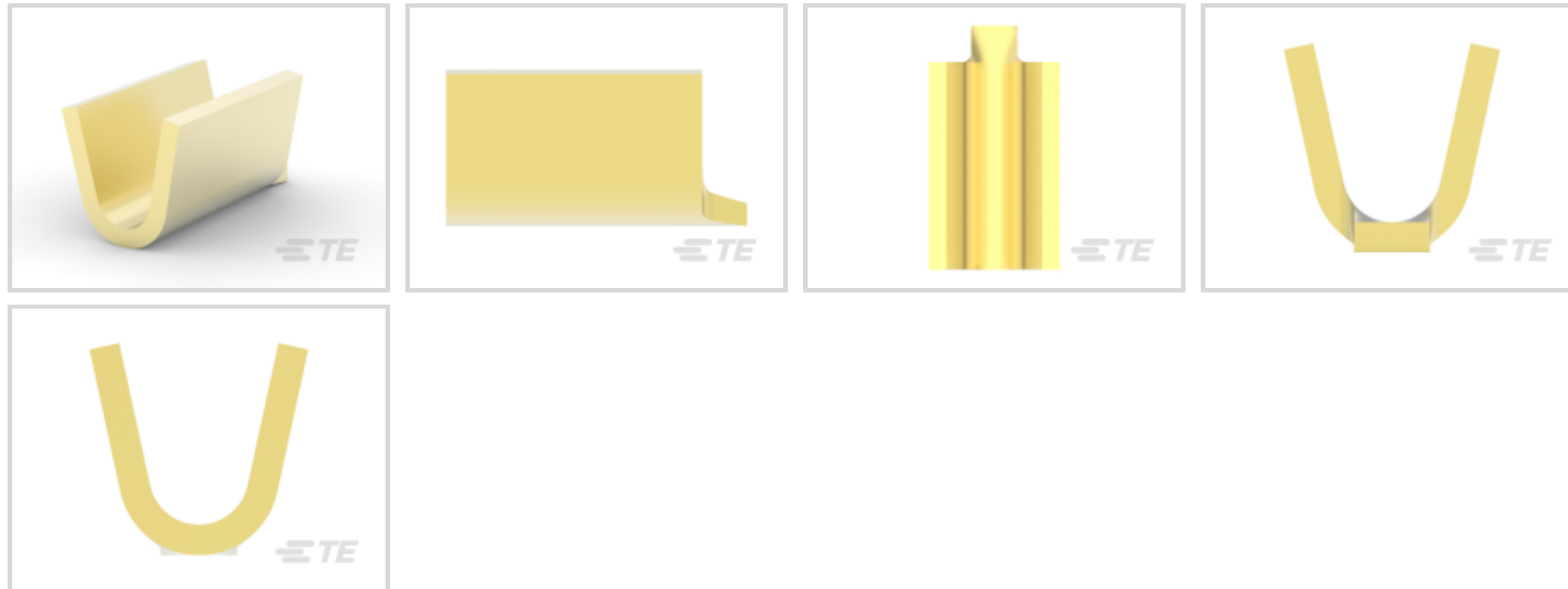
TE Internal #: 42192-1

Splices, 22 – 15 AWG Wire Size, .3 – 1.5 mm<sup>2</sup> Wire Size, Splice  
Capacity 3, 600 – 3000 CMA Wire Size, Brass, Thru Splice Splice,  
Serrated, AMPLIVAR

[View on TE.com >](#)



Terminals & Splices > Splices



Wire Size: 600 – 3000 CMA

Sealable: No

Splice Capacity: 3

### Features

#### Product Type Features

Sealable	No
Splice Type	Thru Splice
Serrated	Yes
Compatible With Discrete Wire Type	Magnet Wire, Solid

#### Configuration Features

Strip Orientation	End Feed
Splice Capacity	3
Number of Serrations	5

#### Electrical Characteristics

Operating Voltage	250 V
-------------------	-------

#### Body Features

Weight per Piece	.221 g
Plating Material	Unplated
Primary Product Material	Brass

#### Contact Features



	40 µin
Contact Plating Material	Unplated
Barrel Type	Open

### Termination Features

Crimp Width	2.79 mm[.11 in]
-------------	-----------------

### Mechanical Attachment

Wire Insulation Support	Without
-------------------------	---------

### Dimensions

Wire Size	600 – 3000 CMA
Terminal Material Thickness	.51 mm[.02 in]
Overall Product Length	5.72 mm[.225 in]

### Usage Conditions

Insulation Option	Uninsulated
Operating Temperature Range	-65 – 150 °C[-85 – 302 °F]

### Operation/Application

Heavy Duty	No
Compatible With Wire Base Material	Copper

### Industry Standards

Government Qualified Splice	No
-----------------------------	----

### Packaging Features

Packaging Quantity	30000
Packaging Method	Strip

### Other

Comment	Splice recommended for applications using wire size 26 AWG or smaller.
---------	--

### Product Compliance

[For compliance documentation, visit the product page on TE.com>](#)

EU RoHS Directive 2011/65/EU	Compliant
EU ELV Directive 2000/53/EC	Compliant
China RoHS 2 Directive MIIT Order No 32, 2016	No Restricted Materials Above Threshold
EU REACH Regulation (EC) No. 1907/2006	



Current ECHA Candidate List: JUNE 2022  
(224)

Candidate List Declared Against: JAN 2022  
(223)

SVHC > Threshold:  
Not Yet Reviewed

Halogen Content

Low Halogen - Br, Cl, F, I < 900 ppm per  
homogenous material. Also BFR/CFR/PVC  
Free

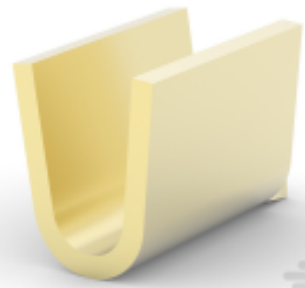
Solder Process Capability

Not applicable for solder process capability

Product Compliance Disclaimer

This information is provided based on reasonable inquiry of our suppliers and represents our current actual knowledge based on the information they provided. This information is subject to change. The part numbers that TE has identified as EU RoHS compliant have a maximum concentration of 0.1% by weight in homogenous materials for lead, hexavalent chromium, mercury, PBB, PBDE, DBP, BBP, DEHP, DIBP, and 0.01% for cadmium, or qualify for an exemption to these limits as defined in the Annexes of Directive 2011/65/EU (RoHS2). Finished electrical and electronic equipment products will be CE marked as required by Directive 2011/65/EU. Components may not be CE marked. Additionally, the part numbers that TE has identified as EU ELV compliant have a maximum concentration of 0.1% by weight in homogenous materials for lead, hexavalent chromium, and mercury, and 0.01% for cadmium, or qualify for an exemption to these limits as defined in the Annexes of Directive 2000/53/EC (ELV). Regarding the REACH Regulation, the information TE provides on SVHC in articles for this part number is based on the latest European Chemicals Agency (ECHA) 'Guidance on requirements for substances in articles' posted at this URL: <https://echa.europa.eu/guidance-documents/guidance-on-reach>

## Compatible Parts



TE Part # 63564-1  
SPLICE AMVAR 2000-5400 020BR



TE Part # 42778-2  
SPLICE AMPLIVAR 600-3000 CMA



TE Part # 41765  
SPLC AMVAR 1500-5000 020BR



TE Part # 62157-1  
SPLICE AMVAR 600-3000 .020BR



TE Part # 62000-1  
SPLICE AMVAR 600-3000 020BR



TE Part # 42776-1  
SPLC AMVAR 1500-5000 020BR



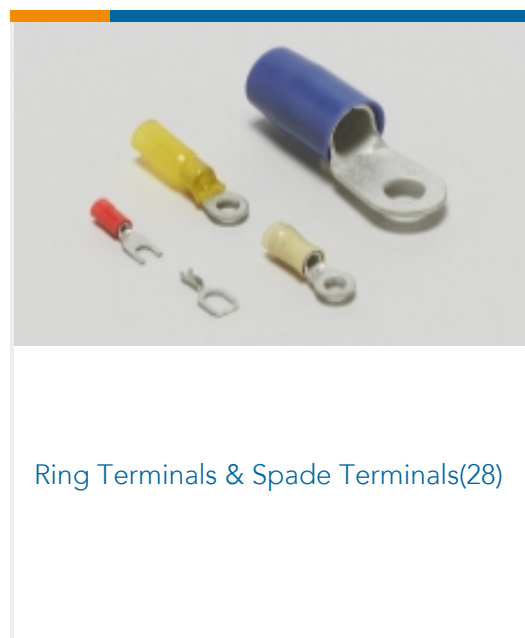
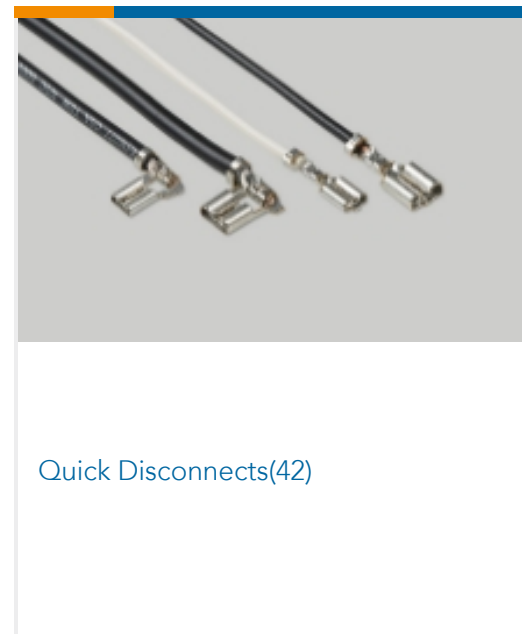
TE Part # 42076  
SPLC AMVAR 600-3000 020BR



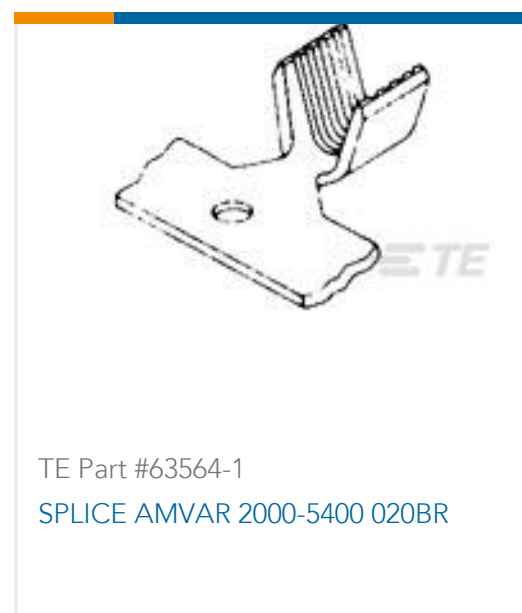
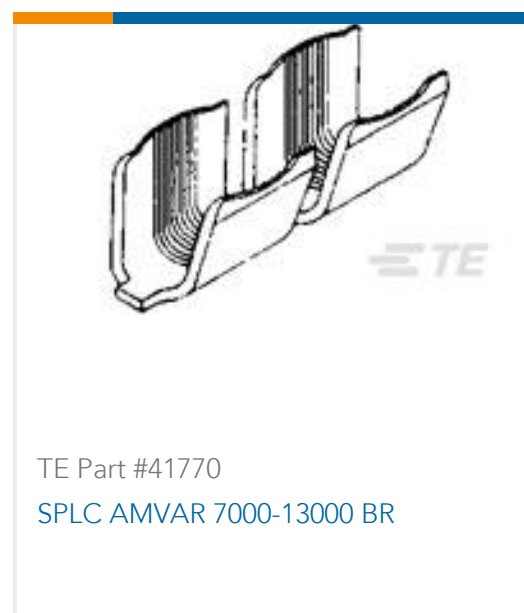
TE Part # 1217384-1  
AMVAR SPL 600-3000 7 SERR TPBR

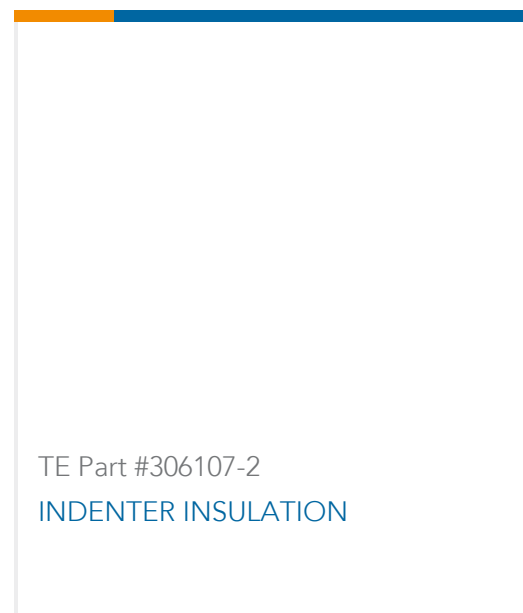
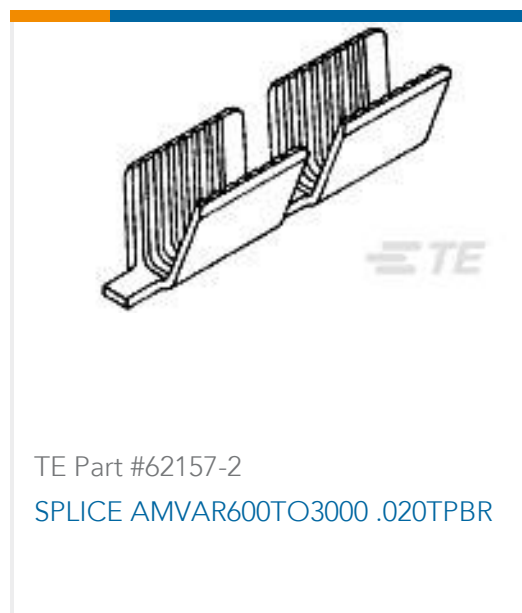
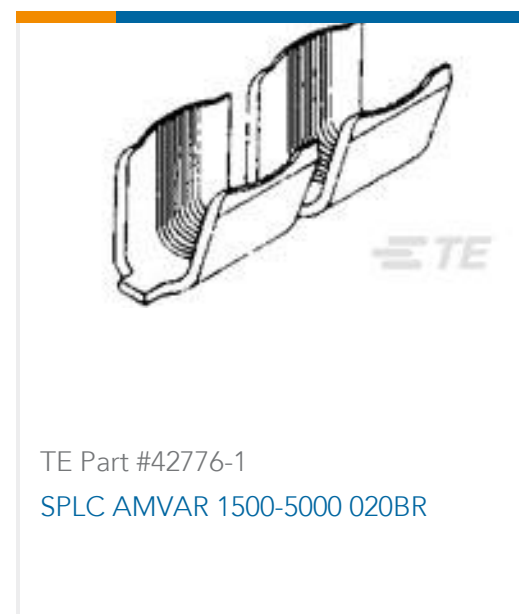
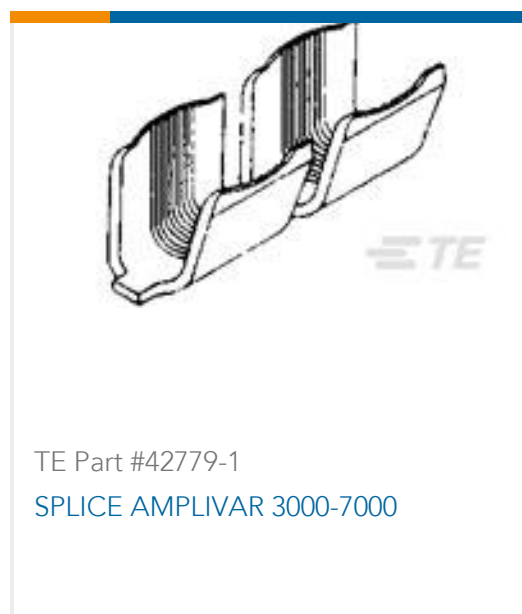


Also in the Series | **AMPLIVAR**



Customers Also Bought





## Documents

### Product Drawings

[SPLC AMVAR 600-3000 020BR](#)

English

### CAD Files

[3D PDF](#)

3D

Customer View Model

[ENG\\_CVM\\_CVM\\_42192-1\\_W\\_c-42192-1-w.2d\\_dxf.zip](#)

English

Customer View Model

[ENG\\_CVM\\_CVM\\_42192-1\\_W\\_c-42192-1-w.3d\\_igs.zip](#)

English

Customer View Model

[ENG\\_CVM\\_CVM\\_42192-1\\_W\\_c-42192-1-w.3d\\_stp.zip](#)

English

By downloading the CAD file I accept and agree to the [Terms and Conditions](#) of use.

### Datasheets & Catalog Pages

[1654742\\_HOUSEHOLD\\_APPLIANCES\\_RAST5](#)

English

### Magnet Wire Terminals & Splices

English

### Product Specifications

[Application Specification](#)

English





### AMPLIVAR 5 Serration Thru Splice

English

---

### Product Environmental Compliance

Product Compliance

English

Product Compliance

English