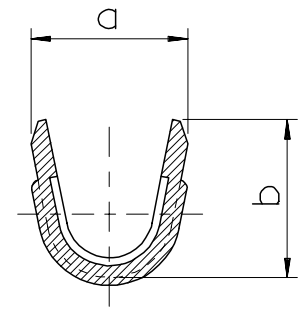


NOTES

- 1. MATERIAL : BRASS , 0.5mm THICKNESS
- 2. PART NO.

PART NO.	a	b	FINISH	△B	△B
				WIRE RANGE	QUANTITY
35760-7100	3.3	3.3	UNPLATED	0.5~1.5mm ²	6,000/REEL
35760-7110			POST PLATED TIN		
35760-7140			TIN-LEAD		
LEAD FREE 35760-7160	4.2	4.2	POST PLATED TIN	1.5~2.5mm ²	5,000/REEL
35760-7200			UNPLATED		
35760-7210			POST PLATED TIN		
35760-7240			TIN-LEAD		
LEAD FREE 35760-7260			POST PLATED TIN		

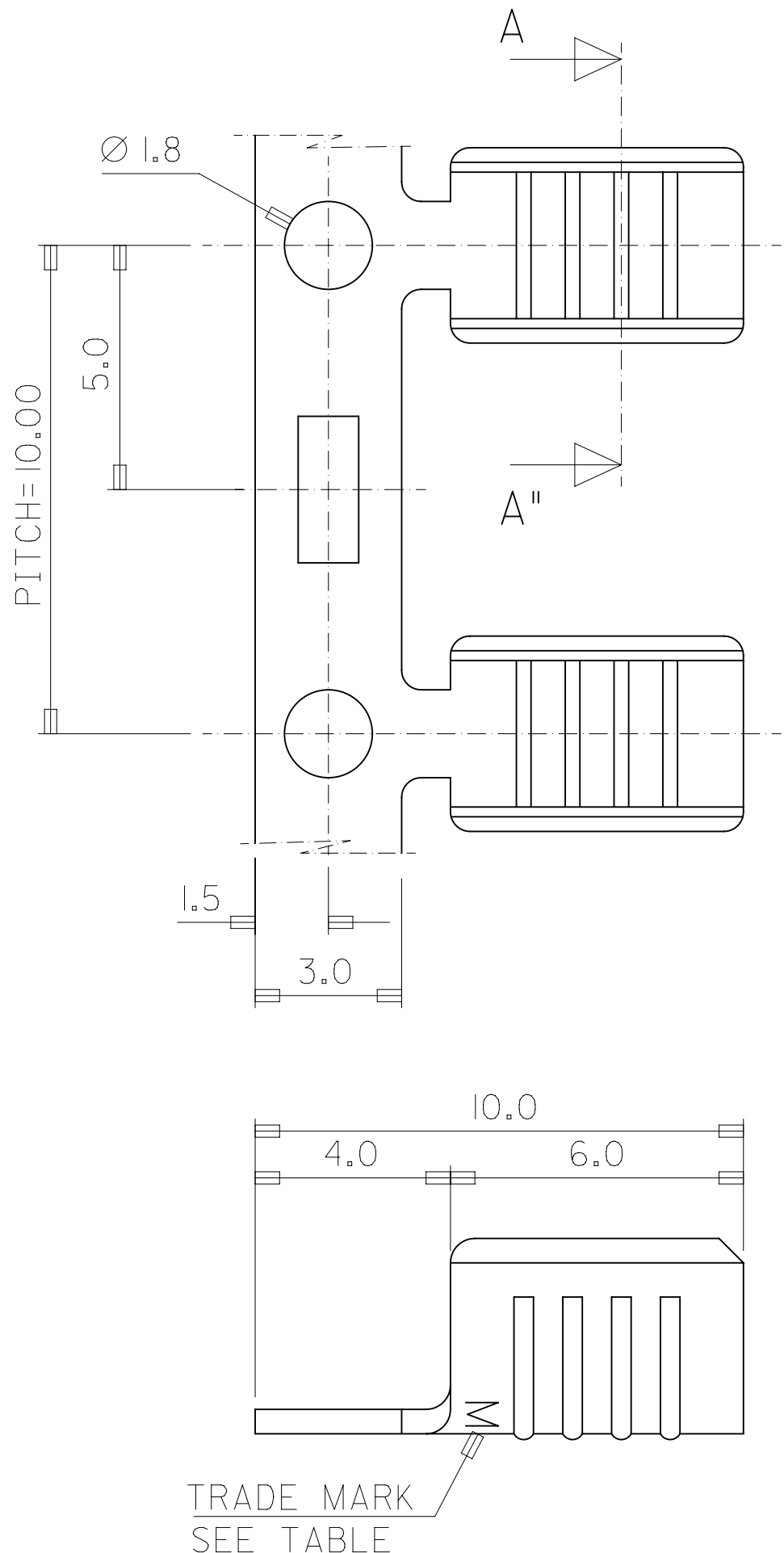


ADDITION OF OPTION EC NO. KOR2006-0064 DRWN: SY.PARK 05/12/16 CHK: BC.YOON 05/12/16 APPR: SH.CHOI 05/12/16	QUALITY SYMBOLS	GENERAL TOLERANCES: (UNLESS SPECIFIED)	SCALE 8:1	DESIGN UNITS <input checked="" type="checkbox"/> mm <input type="checkbox"/> INCH	THIRD ANGLE PROJECTION <input checked="" type="checkbox"/> mm <input type="checkbox"/> INCH	DIMENSIONS: <input type="checkbox"/> mm <input type="checkbox"/> INCH <input checked="" type="checkbox"/> mm ONLY	SHT	REV
	MAJOR = 0	mm	INCH	DRAWN BY & DATE J.S.KANG 93/10/07	TITLE: WIRE SPLICE (S),(SM)			
	CRITICAL C = 0	±0.	±.	CHECKED BY & DATE B.K.CHOI 93/10/07	MOLEX INCORPORATED KOREA			
		±0.20	±.	APPROVED BY & DATE C.W.LEE 93/10/07	CAD FILENAME S7607100.DGN	MATERIAL NO. SEE TABLE	DRAWING NO. SD-35760-002	SHEET NO. 10F1
REV	DESCRIPTION	ANGULAR: ± °	DRAFT WHERE APPLICABLE MUST REMAIN WITHIN DIMENSIONS		THIS DRAWING CONTAINS INFORMATION THAT IS PROPRIETARY TO MOLEX INCORPORATED AND SHOULD NOT BE USED WITHOUT WRITTEN PERMISSION.			

DO NOT SCALE DRAWING
DIMENSION IN METRIC

LEAD FREE

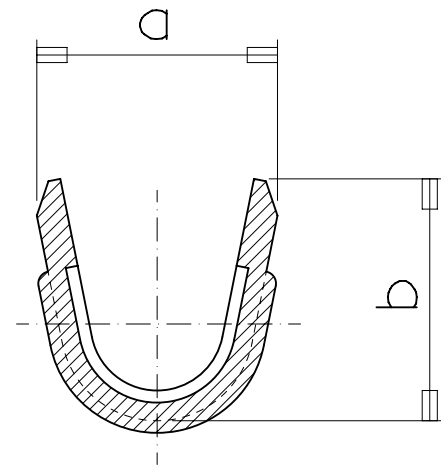
TRADE MARK
SEE TABLE



NOTES

- 1. MATERIAL : BRASS , 0.5mm THICKNESS
- 2. PART NO.

PART NO.	DIM'S		FINISH	WIRE SIZE	MAT'L THICK'	TRADE MARK
	a	b				
35760-7100	3.3	3.3	UNPLATED	AWG #20-#16	0.5mm	MK2
35760-7110			POST PLATED TIN			
35760-7140			TIN-LEAD			
35760-7200	4.2	4.2	UNPLATED	AWG #16-#12		
35760-7210			POST PLATED TIN			
35760-7240			TIN-LEAD			



SEC' : A-A''

THIS DRAWING CONTAINS INFORMATION THAT IS PROPRIETARY TO MOLEX ELECTRONIC TECHNOLOGIES, LLC AND SHOULD NOT BE USED WITHOUT WRITTEN PERMISSION									
DIMENSION UNITS mm		SCALE 8:1		CURRENT REV DESC: OBSOLETE PART NO				molex	
GENERAL TOLERANCES (UNLESS SPECIFIED)				EC NO: 625872					
4 PLACES ±		MM		INCH		DRWN: AKUMAR19		2019/06/13	
3 PLACES ±						CHK'D: GB		2019/11/06	
2 PLACES ± 0.2						APPR: GGA		2019/11/12	
1 PLACE ± 0.3						INITIAL REVISION:			
0 PLACES ±						DRWN: J.S.KANG		1993/10/07	
ANGULAR TOL ± °						APPR: C.W.LEE		1993/10/07	
DRAFT WHERE APPLICABLE MUST REMAIN WITHIN DIMENSIONS				THIRD ANGLE PROJECTION		DRAWING		SERIES	
				B-SIZE		35760		MATERIAL NUMBER	
				SEE TABLE		GENERAL CUSTOMER		SHEET NUMBER	
								1 OF 1	

TRADE MARK
SEE TABLE