

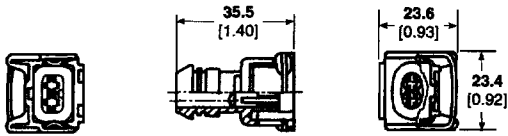
METRIC

Housings for Junior- Power-Timer Contacts Based on Single Wire Sealing System



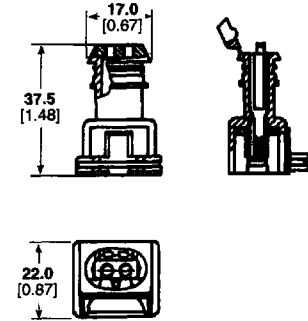
2 Position

- Part No. 963040-1 (blue)
- Part No. 963040-2 (grey)
- Part No. 963040-3 (black)
- Part No. 963040-4 (brown)
- Part No. 346305-1 (natural)
- Part No. 346305-2 (green)
- Part No. 346305-3 (black)
- Part No. 346305-4 (brown)
- Part No. 346305-5 (blue)
- Part No. 346305-6 (green)
- Part No. 346305-7 (red)
- Part No. 346305-8 (yellow)



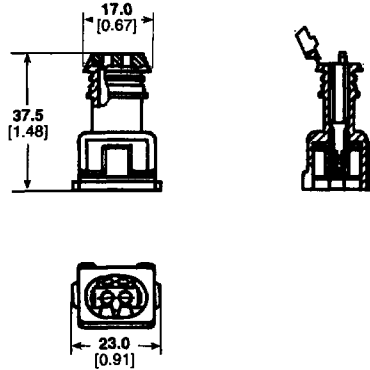
2 Position

- Part No. 282189-1 (black)
- Part No. 282189-2 (grey)
- Part No. 282189-3 (natural)
- Part No. 282189-4 (green)
- Part No. 282189-5 (blue)
- Part No. 282189-6 (brown)
- Part No. 282189-7 (yellow)
- Part No. 282189-8 (red)



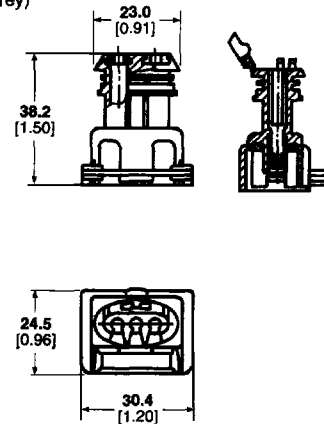
2 Position

- Part No. 282190-1 (black)
- Part No. 282190-2 (grey)
- Part No. 282190-3 (natural)
- Part No. 282190-4 (green)
- Part No. 282190-5 (blue)
- Part No. 282190-6 (brown)
- Part No. 282190-7 (yellow)
- Part No. 282190-8 (red)



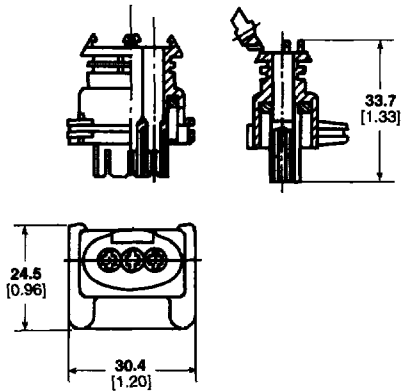
3 Position

- Part No. 282191-1 (black)
- Part No. 282191-2 (grey)



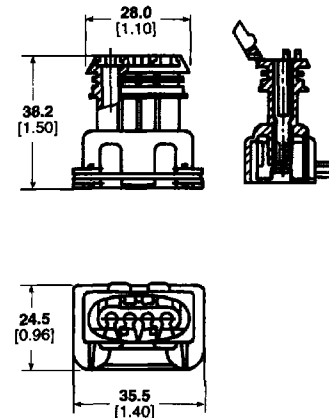
3 Position

- (Special Version)
Part No. 282246-1



4 Position

- Part No. 282192-1 (black)
- Part No. 282192-2 (grey)



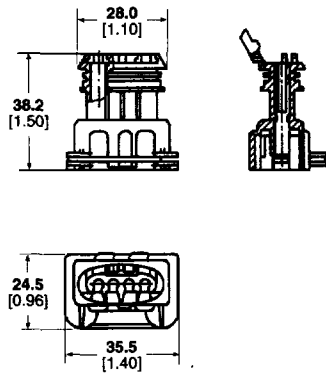
SOURCE: Catalog 124799

Blade-Type Connectors
AMP Timer Connectors

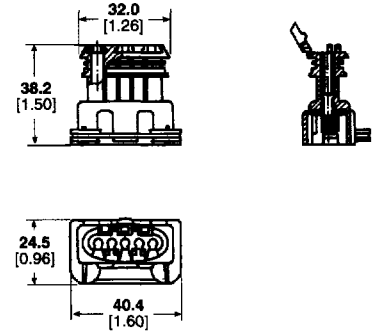
METRIC

Housings for Junior-Power-Timer Contacts Based on Single Wire Sealing System
(Continued)

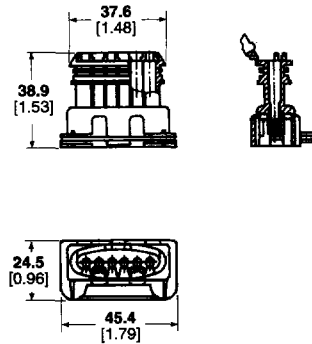
4 Position
Part No. 282342-1



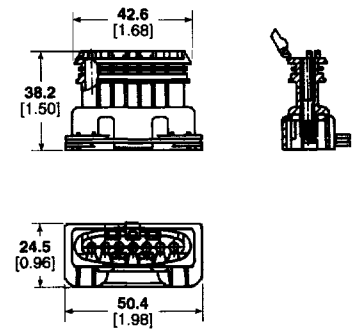
5 Position
Part No. 282193-1 (black)
Part No. 282193-2 (grey)



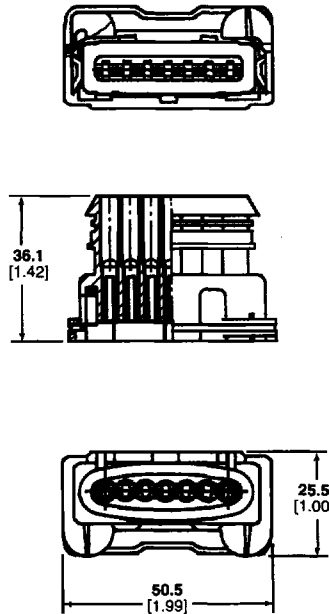
6 Position
Part No. 282236-1



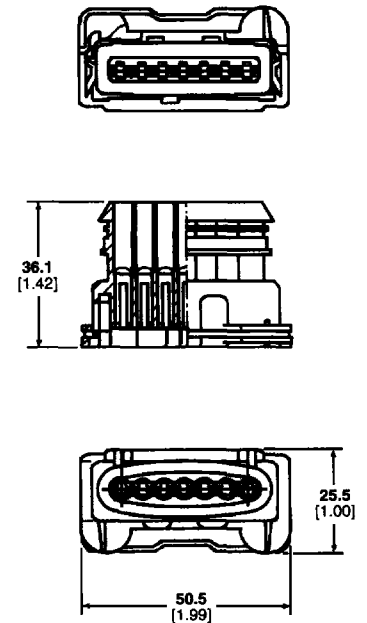
7 Position
Part No. 282194-1 (black)
Part No. 282194-2 (grey)



7 Position
Part No. 828918-1 (grey)
Part No. 828918-2 (black)
Part No. 828918-3 (brown)
Part No. 828918-4 (blue)
Part No. 828918-5 (green)



7 Position
Part No. 828919-1 (grey)
Part No. 828919-2 (black)
Part No. 828919-3 (brown)
Part No. 828919-4 (blue)
Part No. 828919-5 (green)



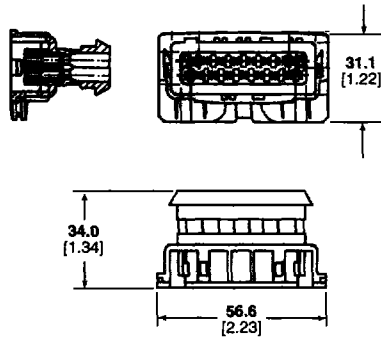
Blade-Type Connectors
AMP Timer Connectors

METRIC

Housings for Junior-Power-Timer Contacts Based on Single Wire Sealing System

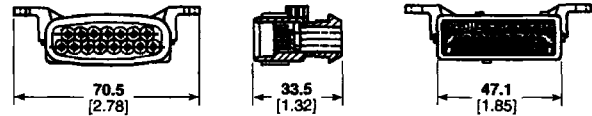
(Continued)

15 Position
 Part No. 963039-1 (grey)
 Part No. 963039-2 (black)
Additional Coding
 Part No. 963036-1

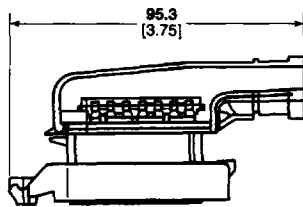


15 Position Tab Housing
 Part No. 963035-1 (grey)
 Part No. 963035-2 (grey)
 Part No. 963035-3 (black)

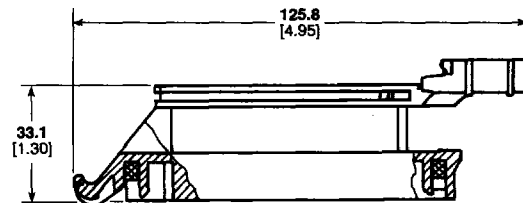
Proper Contacts:
 Part No. 929949-2
 (1.25-2.50 mm²)
 Part No. 929948-2
 (0.5-1.0 mm²)



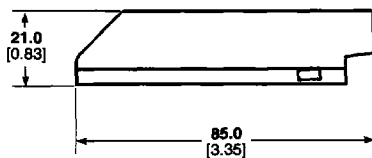
15 Position
 Part No. 282199-1



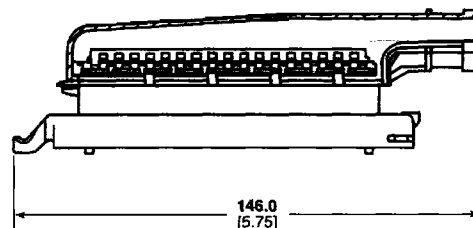
25 Position
 Part No. 281810-1



25 Position (Cover)
 Part No. 281812-1



35 Position
 Part No. 282195-1
Standard Version



Blade-Type Connectors
 AMP Timer Connectors

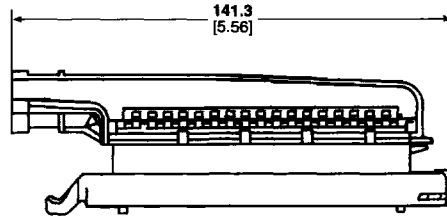
METRIC

Housings for Junior-Power-Timer Contacts Based on Single Wire Sealing System

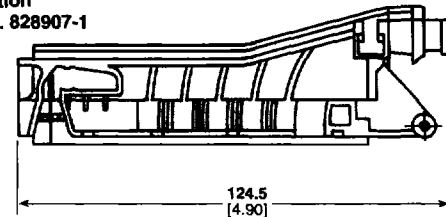
(Continued)

35 Position
 Part No. 282197-1

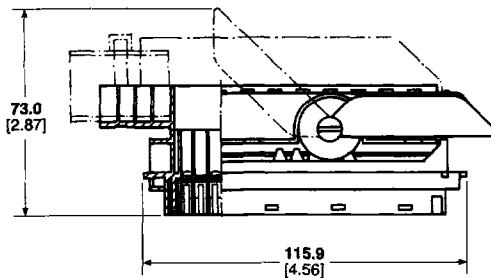
Opposite Cable Exit



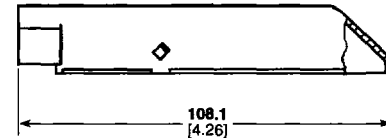
55 Position
 Part No. 828907-1



55 Position
 Part No. 963041-1



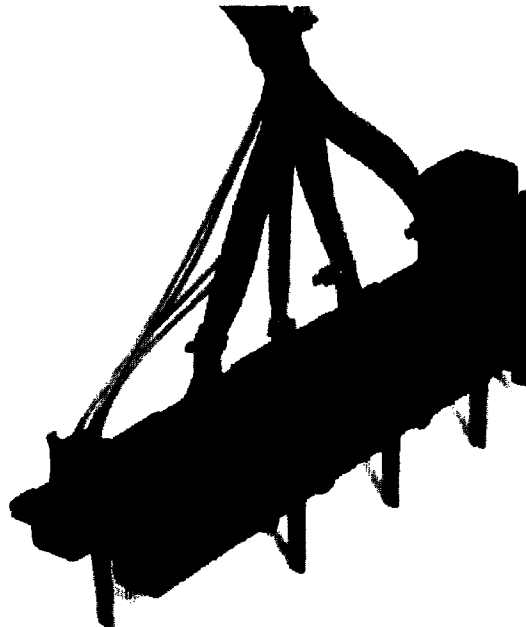
55 Position Cover
 Part No. 962071-1



Blade-Type Connectors
 AMP Timer Connectors

Junior-Timer and Junior-Power-Timer Housings, 4 - 22 Positions

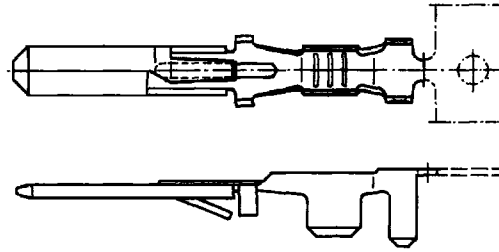
These Timer housings are a complete family group. They are available in wire-to-wire as well as wire-to-pc board, right-angle and vertical applications. The tab housings are designed to lock into mounting collar.



No. of Positions	Part Numbers			
	Junior-Timer and Junior-Power-Timer Housings	Tab Housing	Right-Angle Male Connector	Horizontal Male Connector
4	929504-1	929505-1	828801-1	963357-6
6	929504-2	929505-2	828801-2	963357-5
8	929504-3	929505-3	828801-3	—
10	929504-4	929505-4	828801-4	963357-4
14	929504-5	929505-5	828801-5	963357-3
18	929504-6	929505-6	828801-6	963357-2
22	929504-7	929505-7	828801-7	963357-1

Junior-Timer and Junior-Power-Timer Housings, 4 - 22 Positions (Continued)

METRIC



Mating Tab Contacts

Wire Size Range (mm ²)	Wire Insulation Diameter (max.)	Material and Finish	Part Numbers		
			Strip Form	Loose Piece	Hand Tool 169400 Die Set
0.5-1.0	1.4-2.3 [.055-.091]	Brass, silver plated	928930-1	928931-1	734262
		Brass, tin plated	928930-2	928931-2	734262
1.5-2.5	1.8-2.9 [.071-.114]	Brass, silver plated	928781-1	928794-1	734262
		Brass, tin plated	928781-2	928794-2	734262

Junior-Timer and Junior-Power-Timer Housings for Car Radio Application according to ISO-TC 22/WG 5

Type A

8 Position
Part No. 962189-1

8 Position
Part No. 963120-1
(with second Locking Feature)

8 Position
Part No. 964408-1
(Different Clips)



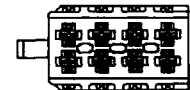
Type B

8 Position
Part No. 962191-1

8 Position
Part No. 963121-1
(with second Locking Feature)

8 Position
Part No. 964409-1
(Different Clips)

Screwing Type
8 Position
Part No. 829516-1



Type A + B

16 Position
(Contact AMP for availability)

Type C

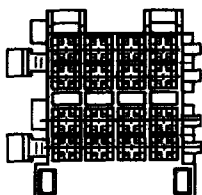
10 Position
Part No. 962190-1

Type C

10 Position
Part No. 963122-1
(with second Locking Feature)

Type C

10 Position
Part No. 964410-1
(Different Clips)



METRIC

Junior-Timer and Junior-Power-Timer Housings, for Wire-to-Wire Application

2 Position

Color	Part Numbers	
	Junior-Timer Housing	Tab Housing
Natural	365057-1	365058-1
Grey	365057-2	365058-2
Black	365057-3	365058-3
Yellow	365057-4	365058-4

4 Position

Color	Part Numbers	
	Junior-Timer Housing	Tab Housing
Natural	365060-1	365059-1
Grey	365060-2	365059-2
Black	365060-3	365059-3
Yellow	365060-4	365059-4

6 Position

Color	Part Numbers	
	Junior-Timer Housing	Tab Housing
Natural	365062-1	365061-1
Grey	365062-2	365061-2
Black	365062-3	365061-3
Yellow	365062-4	365061-4

8 Position

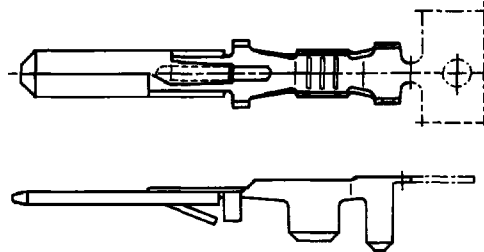
Color	Part Numbers	
	Junior-Timer Housing	Tab Housing
Natural	365064-1	365063-1
Grey	365064-2	365063-2
Black	365064-3	365063-3
Yellow	365064-4	365063-4

14 Position

Color	Part Numbers	
	Junior-Timer Housing	Tab Housing
Natural	365066-1	365065-1
Grey	365066-2	365065-2
Black	365066-3	365065-3
Yellow	365066-4	365065-4

6
Blade-Type Connectors
AMP Timer Connectors

Mating Tab Contacts, 2.8 x 0.8 (.110 x .031)



Wire Size Range (mm ²)	Material and Finish Suffix*	Part Numbers			Hand Tool 169400 Die Set
		Strip Form	Loose Piece	Applicator	
0.5-1.0	-1/-2/-3/-4	927892	928923	—	—
1.5-3.0	-1/-2/-3/-4/-5	927893	928924	—	—

*Material and Finish Suffix
-1 = CuZn30, tin plated
-2 = CuSn*, gold plated
-3 = CuSn*, plain
-4 = CuSn*, silver plated
-5 = CuSn*, tin plated
Extraction Tool Part No. 725864

Wire Size Range (mm ²)	Material and Finish Suffix*	Part Numbers			Hand Tool 169400 Die Set
		Strip Form	Loose Piece	Applicator	
0.50-1.00	-1/-2/-3/-4/-5	928930	928931	—	734262
1.25-2.50	-1/-2/-3/-4/-5	928781	928794	—	734262

*Material and Finish Suffix
-1 = CuZn30, silver plated
-2 = CuZn30, pre-tin plated
-3 = CuZn30, plain
-4 = CuZn30, gold plated
-5 = CuSn*, pre-tin plated
Extraction Tool Part No. 725864