

41728 ✓ ACTIVE

FASTON | FASTON 250

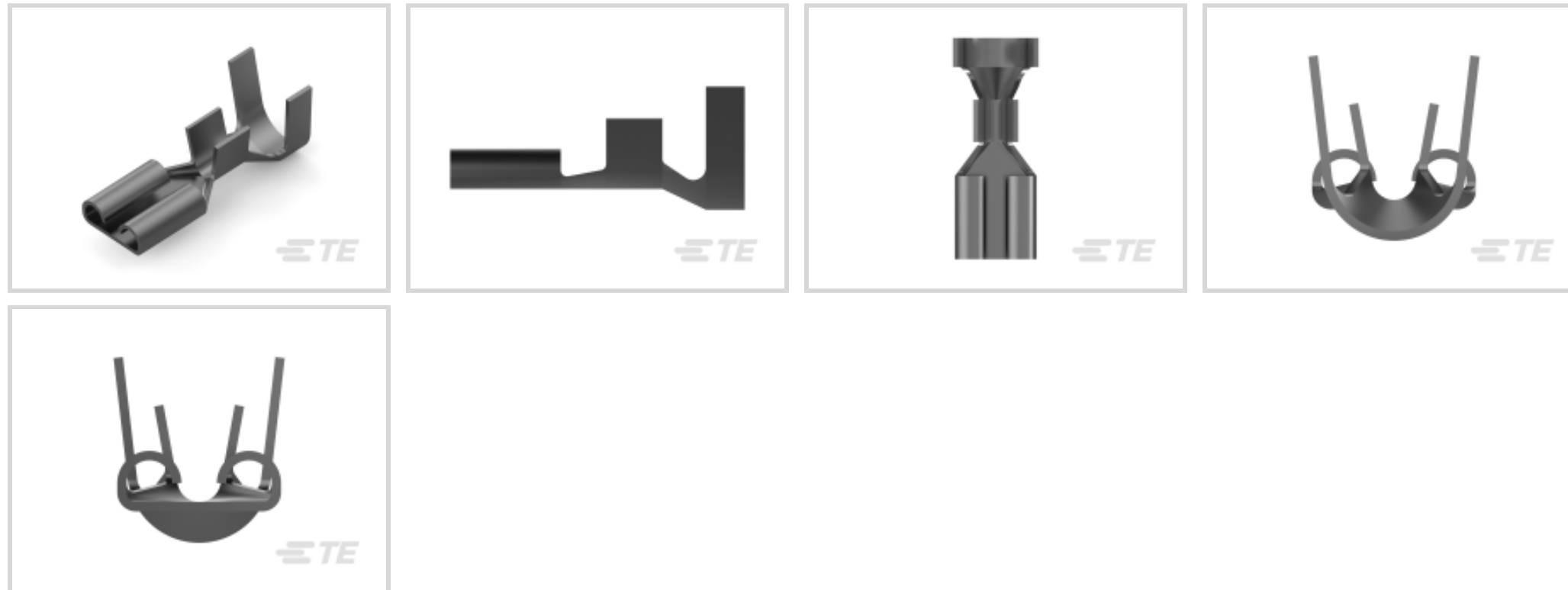
TE Internal #: 41728

Quick Disconnects, Receptacle, 16 – 12 AWG Wire Size, 1.31 – 3.31 mm² Wire Size, Mating Tab Width .25 in [6.35 mm], Straight, Brass, FASTON 250

[View on TE.com >](#)



Terminals & Splices > Quick Disconnects



Quick Disconnect Terminal Type: **Receptacle**

Wire Size: 1.31 – 3.31 mm²

Mating Tab Width: 6.35 mm [.25 in]

Mating Tab Thickness: .81 mm [.032 in]

Features

Product Type Features

Terminates To	Wire & Cable
Wire/Cable Type	Regular Wire
Insertion Force	Normal
Sealable	No

Configuration Features

Connection Capacity	Single
---------------------	--------

Contact Features

Quick Disconnect Terminal Type	Receptacle
Mating Tab Width	6.35 mm [.25 in]
Mating Tab Thickness	.81 mm [.032 in]
Terminal Orientation	Straight
Contact Base Material	Brass
Terminal Plating Material	Tin
Crimp Type	F-Crimp
Barrel Type	Open



Mechanical Attachment

Mating Retention Type	Dimple
Wire Insulation Support	With

Dimensions

Accepts Wire Insulation Diameter Range	5.33 – 6.73 mm [.21 – .265 in]
Overall Length	20.93 mm [.82 in]
Receptacle Terminal Stock Thickness	.43 mm [.017 in]
Wire Size	1.31 – 3.31 mm ²

Usage Conditions

Insulation Option	Uninsulated
Operating Temperature Range	-40 – 110 °C [-40 – 230 °F]

Industry Standards

UL Rating	Listed
CSA Certified	Yes

Packaging Features

Packaging Quantity	6000
Packaging Method	Strip/Reel

Other

Line	Premier
------	---------

Product Compliance

[For compliance documentation, visit the product page on TE.com>](#)

EU RoHS Directive 2011/65/EU	Compliant
EU ELV Directive 2000/53/EC	Compliant
China RoHS 2 Directive MIIT Order No 32, 2016	No Restricted Materials Above Threshold
EU REACH Regulation (EC) No. 1907/2006	Current ECHA Candidate List: JUNE 2022 (224) Candidate List Declared Against: JAN 2022 (223) SVHC > Threshold: Not Yet Reviewed
Halogen Content	Low Halogen - Br, Cl, F, I < 900 ppm per homogenous material. Also BFR/CFR/PVC Free



Solder Process Capability

Not applicable for solder process capability

Product Compliance Disclaimer

This information is provided based on reasonable inquiry of our suppliers and represents our current actual knowledge based on the information they provided. This information is subject to change. The part numbers that TE has identified as EU RoHS compliant have a maximum concentration of 0.1% by weight in homogenous materials for lead, hexavalent chromium, mercury, PBB, PBDE, DBP, BBP, DEHP, DIBP, and 0.01% for cadmium, or qualify for an exemption to these limits as defined in the Annexes of Directive 2011/65/EU (RoHS2). Finished electrical and electronic equipment products will be CE marked as required by Directive 2011/65/EU. Components may not be CE marked. Additionally, the part numbers that TE has identified as EU ELV compliant have a maximum concentration of 0.1% by weight in homogenous materials for lead, hexavalent chromium, and mercury, and 0.01% for cadmium, or qualify for an exemption to these limits as defined in the Annexes of Directive 2000/53/EC (ELV). Regarding the REACH Regulation, the information TE provides on SVHC in articles for this part number is based on the latest European Chemicals Agency (ECHA) 'Guidance on requirements for substances in articles' posted at this URL: <https://echa.europa.eu/guidance-documents/guidance-on-reach>

Compatible Parts



TE Part # 41194
250 FASTON, REC., 18-14 AWG, TPBR



TE Part # 2-2150550-2
OCEAN_2.0_Applicator-E-140F300F



TE Part # 2150550-2
OCEAN_2.0_Applicator-E-140F300F



TE Part # 2376595-2
250 FASTON PCB TAB TPBR



TE Part # 7-2150550-2
OCEAN_2.0_Applicator-E-140F300F




KIT
REPRESENTATION ONLY

TE Part # 7-2150550-7
OCEAN_2.0_SPARE_PART_KIT-140F300F

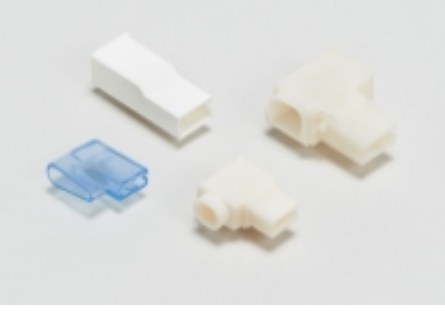


TE Part # 2376591-3
250 FASTON PCB TAB TPBR LP


Also in the Series | FASTON 250



Compression Connectors(4)



Crimp Terminal Housings(143)



Insertion & Extraction Tools(6)



Magnet Wire Terminals(1)



PCB Terminals(144)

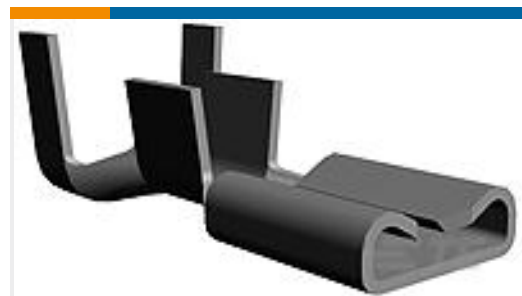
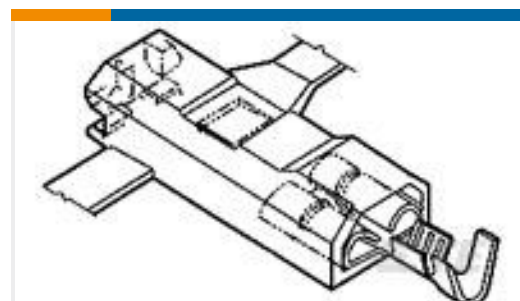


Quick Disconnects(456)



Splices(4)

Customers Also Bought

TE Part #42801-2
187 FASTON REC 20-16 AWG TPBRTE Part #63677-1
312 FASTON REC 16-12 AWG TPBRTE Part #5-179463-1
POWER DBL LOCK CAP HSG F/H 2P (GWT)TE Part #1-1969529-1
ULTRA-POD 250 ASSEMBLY REC 18-14 AWG BRTE Part #521599-2
ULTRA-POD 187 ASY REC 18-14 TPBRTE Part #521437-2
ULTRA-POD 110 ASSY REC 22-18 AWG TPBRTE Part #1-1743068-1
3 POS PL 187(4.8 MM) HOUSING NATURALTE Part #2-1743068-1
187 HSG. PL MKII REC. 5mm 3P NATTE Part #2-1743216-1
GAS VALVE 2P HSG GWTTE Part #2-1743217-1
GAS VALVE 3P HSG GWT

Documents

Product Drawings

[250 FASTON REC 16-12 AWG TPBR](#)

English

CAD Files

Customer View Model

[ENG_CVM_CVM_41728_BG.2d_dxf.zip](#)

English

[3D PDF](#)



3D

Customer View Model

[ENG_CVM_CVM_41728_BG.3d_igs.zip](#)

English

Customer View Model

[ENG_CVM_CVM_41728_BG.3d_stp.zip](#)

English

By downloading the CAD file I accept and agree to the [Terms and Conditions](#) of use.

Datasheets & Catalog Pages

[FASTIN_FASTON_Product_Line](#)

English

[82004 FASTON Terminals \(Insulated and Uninsulated\) Catalog - FASTON Receptacles Section](#)

English

Product Specifications

[Application Specification](#)

English

[Application Specification](#)

English

[Wire Preparation And Crimp Inspection Guide](#)

English

Product Environmental Compliance

[MD_41728_11012017354_dmtec](#)

English

[MD_41728_11012017354_dmtec](#)

English

Agency Approvals

[Agency Approval Document](#)

English