

42192-2 ✓ ACTIVE



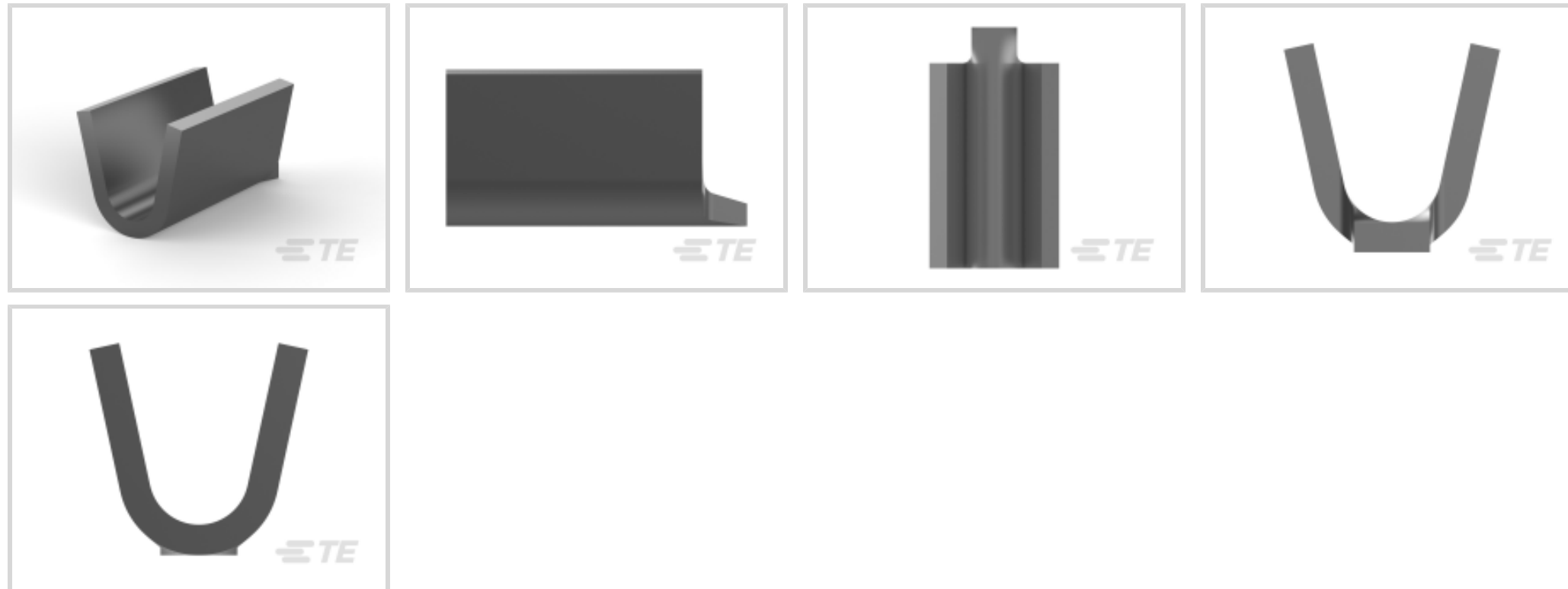
AMPLIVAR

TE Internal #: 42192-2

Splices, 22 – 15 AWG Wire Size, .3 – 1.5 mm² Wire Size, Splice Capacity 3, 600 – 3000 CMA Wire Size, Brass, Thru Splice Splice, Serrated, AMPLIVAR

[View on TE.com >](#)

Terminals & Splices > Splices



Wire Size: 600 – 3000 CMA

Sealable: No

Splice Capacity: 3

Features

Product Type Features

Sealable	No
Splice Type	Thru Splice
Serrated	Yes
Compatible With Discrete Wire Type	Magnet Wire, Solid

Configuration Features

Strip Orientation	End Feed
Splice Capacity	3
Number of Serrations	5

Electrical Characteristics

Operating Voltage	250 V
-------------------	-------

Body Features

Weight per Piece	.191 g
Plating Material	Tin
Primary Product Material	Brass

Contact Features

	40 µin
Contact Plating Material	Tin
Barrel Type	Open

Termination Features

Crimp Width	2.79 mm[.11 in]
-------------	-----------------

Mechanical Attachment

Wire Insulation Support	Without
-------------------------	---------

Dimensions

Wire Size	600 – 3000 CMA
Terminal Material Thickness	.51 mm[.02 in]
Overall Product Length	5.72 mm[.225 in]

Usage Conditions

Insulation Option	Uninsulated
Operating Temperature Range	-65 – 150 °C[-85 – 302 °F]

Operation/Application

Heavy Duty	No
Compatible With Wire Base Material	Copper

Industry Standards

Government Qualified Splice	No
-----------------------------	----

Packaging Features

Packaging Quantity	30000
Packaging Method	Strip

Other

Comment	Splice recommended for applications using wire size 26 AWG or smaller.
---------	--

Product Compliance

[For compliance documentation, visit the product page on TE.com>](#)

EU RoHS Directive 2011/65/EU	Compliant
EU ELV Directive 2000/53/EC	Compliant
China RoHS 2 Directive MIIT Order No 32, 2016	No Restricted Materials Above Threshold
EU REACH Regulation (EC) No. 1907/2006	



Current ECHA Candidate List: JUNE 2022

(224)

Candidate List Declared Against: JAN 2022

(223)

SVHC > Threshold:

Not Yet Reviewed

Halogen Content

Low Halogen - Br, Cl, F, I < 900 ppm per homogenous material. Also BFR/CFR/PVC Free

Solder Process Capability

Not applicable for solder process capability

Product Compliance Disclaimer

This information is provided based on reasonable inquiry of our suppliers and represents our current actual knowledge based on the information they provided. This information is subject to change. The part numbers that TE has identified as EU RoHS compliant have a maximum concentration of 0.1% by weight in homogenous materials for lead, hexavalent chromium, mercury, PBB, PBDE, DBP, BBP, DEHP, DIBP, and 0.01% for cadmium, or qualify for an exemption to these limits as defined in the Annexes of Directive 2011/65/EU (RoHS2). Finished electrical and electronic equipment products will be CE marked as required by Directive 2011/65/EU. Components may not be CE marked. Additionally, the part numbers that TE has identified as EU ELV compliant have a maximum concentration of 0.1% by weight in homogenous materials for lead, hexavalent chromium, and mercury, and 0.01% for cadmium, or qualify for an exemption to these limits as defined in the Annexes of Directive 2000/53/EC (ELV). Regarding the REACH Regulation, the information TE provides on SVHC in articles for this part number is based on the latest European Chemicals Agency (ECHA) 'Guidance on requirements for substances in articles' posted at this URL: <https://echa.europa.eu/guidance-documents/guidance-on-reach>

Compatible Parts

TE Part # 42778-2
SPLICE AMPLIVAR 600-3000 CMA

TE Part # 42192-1
SPLC AMVAR 600-3000 020BR

TE Part # 41899
SPL AMVAR 1500-5000 020TPBR

TE Part # 62157-1
SPLICE AMVAR 600-3000 .020BR

TE Part # 62304-2
AMVAR SPLC 600-3000 020TPBR

TE Part # 42076
SPLC AMVAR 600-3000 020BR

TE Part # 63562-1
SPLICE 10400-22900 030TPBR

TE Part # 62157-2
SPLICE AMVAR600TO3000 .020TPBR




TE Part # 62000-2
SPLICE AMVAR 600-3000 020TPBR



TE Part # 1217384-1
AMVAR SPL 600-3000 7 SERR TPBR



TE Part # 170152-2
AMPLIVAR SPLICE STR



TE Part # 170152-4
AMP SPLICE



TE Part # 42779-2
SPLICE AMPLIVAR 3000-7000



TE Part # 566398-1
EF THRU SPLICE APPL 110F


Also in the Series | **AMPLIVAR**




Crimp Wire Pins, Tabs & Ferrules(5)




Magnet Wire Terminals(5)



PCB Terminals(1)



Quick Disconnects(42)



Ring Terminals & Spade Terminals(28)



Splices(78)

Customers Also Bought




TE Part #5380635-2
RCR AU-SPR SN-CUP OE 018-040



TE Part #2176070-6
3521 16R 1% 2W



TE Part #20000979-00
MS5837-02BA21 2BA LS T&R
PRESSURE SEN



TE Part #41899
SPL AMVAR 1500-5000 020TPBR



Documents

Product Drawings

[SPLC AMVAR 600-3000 020TPBR](#)

English

CAD Files

[3D PDF](#)

3D

Customer View Model

[ENG_CVM_CVM_42192-2_W_c-42192-2-w.2d_dxf.zip](#)

English

Customer View Model

[ENG_CVM_CVM_42192-2_W_c-42192-2-w.3d_igs.zip](#)

English

Customer View Model

[ENG_CVM_CVM_42192-2_W_c-42192-2-w.3d_stp.zip](#)

English

By downloading the CAD file I accept and agree to the [Terms and Conditions](#) of use.

Datasheets & Catalog Pages

[1654742_HOUSEHOLD_APPLIANCES_RAST5](#)

English

[Magnet Wire Terminals & Splices](#)

English

Product Specifications

[Application Specification](#)

English

[AMPLIVAR 5 Serration Thru Splice](#)

English

Product Environmental Compliance

[Product Compliance](#)

English

[Product Compliance](#)

English

42192-2

Splices, 22 – 15 AWG Wire Size, .3 – 1.5 mm² Wire Size, Splice Capacity 3, 600 – 3000
CMA Wire Size, Brass, Thru Splice Splice, Serrated, AMPLIVAR

