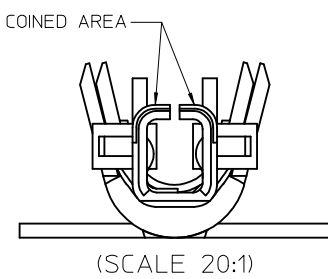
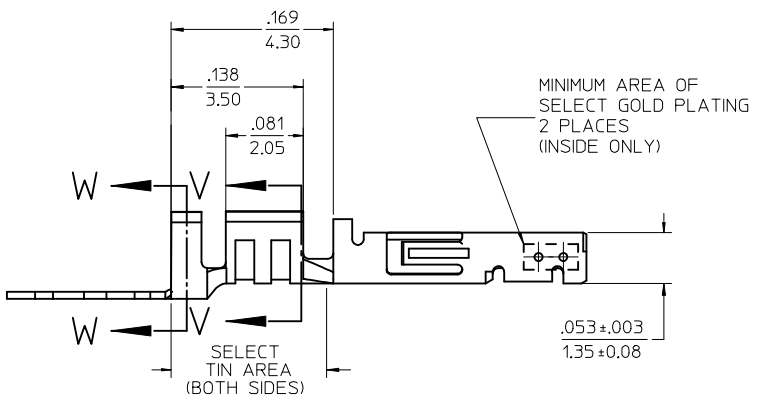
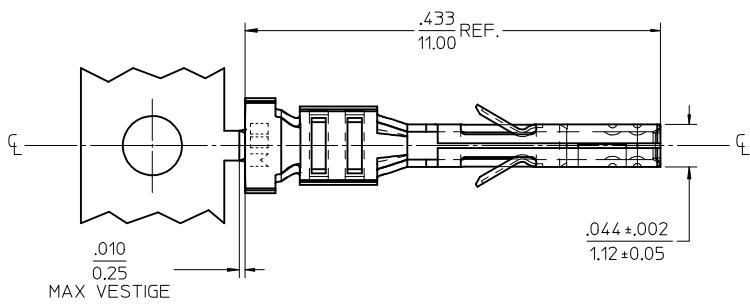
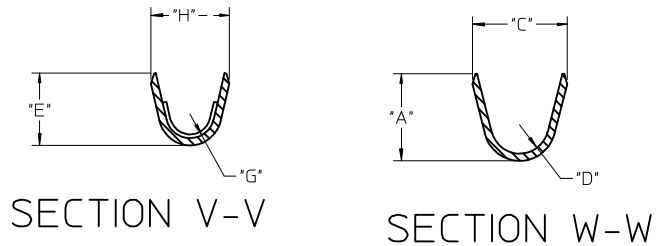


13	12	11	10	9	8	7	6	5	4	3	2	1
WIRE SIZE	MAX INSULATION	"A" ±.012 ±0.30	"C" ±.012 ±0.30	"D" ±.005 ±0.13	"E" ±.012 ±0.30	"G" ±.005 ±0.13	"H" ±.012 ±0.30					
20-24	.073/1.85	.090/2.29	.100/2.54	.030/0.76	.075/1.91	.025/0.64	.082/2.08					
26-30	.050/1.27	.075/1.91	.083/2.10	.025/0.64	.058/1.47	.020/0.51	.065/1.65					

MATERIAL NUMBER	PLATING	WIRE SIZE	FORM
43030-0051	A	20-24	CHAIN
43030-0052	B	20-24	CHAIN
43030-0053	C	20-24	CHAIN
43030-0056	C	26-30	CHAIN
43030-0059	C	20-24	LOOSE



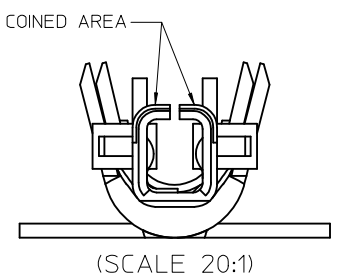
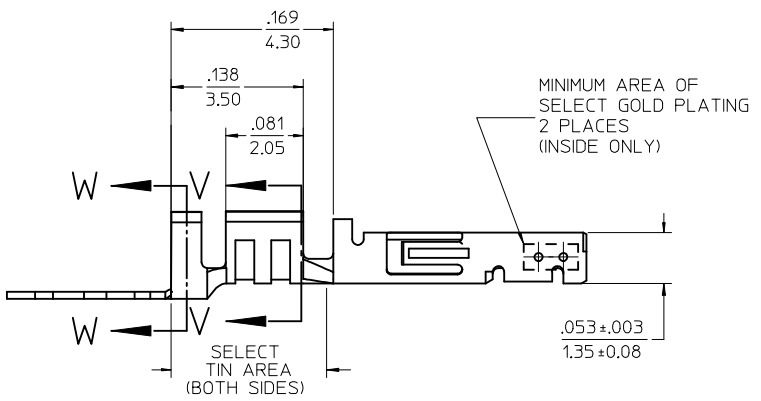
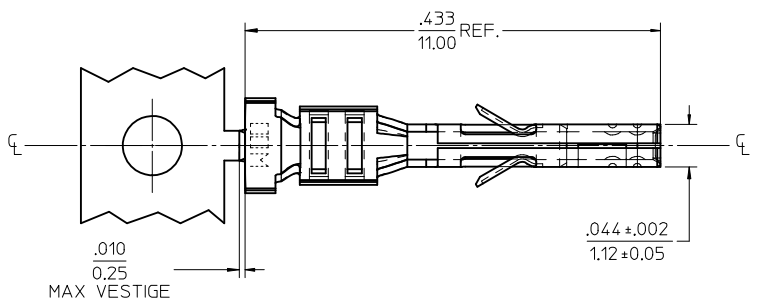
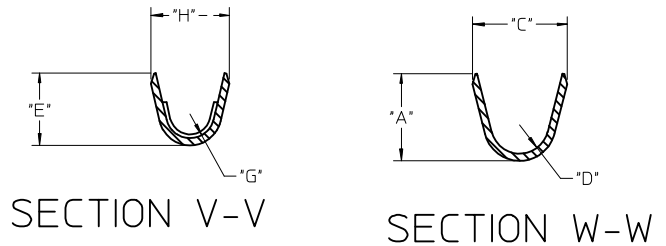
NOTES

- MATERIAL: PHOSPHOR BRONZE ALLOY
- TERMINAL PLATING:  
 \*A\* - HOT TIN DIP: .000040/0.00102 MIN.  
 \*B\* - .000015/0.00038 MIN. SELECT GOLD  
 .000100/0.00254 MIN. SELET TIN  
 ALL OVER .000050/0.00127 MIN. NICKEL OVERALL.  
 \*C\* - .000030/0.00076 MIN. SELECT GOLD  
 .000100/0.00254 MIN. SELECT TIN  
 ALL OVER .000050/0.00127 MIN. NICKEL OVERALL.  
 MATERIAL NUMBERS WITH SELECT PLATING ARE POST PLATED.
- PRODUCT SPECIFICATION: PS-43045, PS-43650, PS-44300-001.
- PACKAGING SPECIFICATION: PK-43030-002 (REEL), PK-43030-003 (LOOSE).
- TERMINAL FOR USE IN A MICRO FIT RECEPTACLE #43025-\*\*\*\*, 43645-\*\*\*\*, or 44133-\*\*\*\*.
- FOR TERMINAL ORIENTATION IN RECEPTACLE SEE DRAWING #SDA-43025 OR SDA-43645.
- THIS TERMINAL IS DESIGNED IN METRIC.
- MOLEX RECOMMENDS THE USE OF MICRO-FIT TEST PLUG (SERIES 44242) WHENEVER CONTINUITY TESTING IS PERFORMED. TEST PLUGS MUST NOT BE USED TO MAKE OR BREAK UNDER LOAD. MOLEX DOES NOT RECOMMEND USING STANDARD MATING COMPONENTS (SERIES 43020, 43045, 43640, 43650, OR 43031) FOR HARNESS TESTING PURPOSES.
- TEXT ON PART IS FOR REFERENCE ONLY. TEXT AND TEXT LOCATION MAY VARY DEPENDING ON PART NUMBER AND/OR TOOL.

UPDATE FACTORY ID EC NO: UCP2017-2563 DRWINZHARPER 2017/05/31 CHKD: APPR:FSMITH 2017/09/29	QUALITY SYMBOLS	GENERAL TOLERANCES (UNLESS SPECIFIED)	DIMENSION STYLE IN/MM	SCALE 10:1	DESIGN UNITS METRIC	THIRD ANGLE PROJECTION
	▽=0	4 PLACES ± --- ± ---	DRAWN BY RHOLTS	DATE 2004/07/21	MICRO-FIT (3.0) FEMALE CRIMP TERMINAL, LEAD FREE <b>molex</b> DOCUMENT NO. SD-43030-002	
	▽=0	3 PLACES ± --- ± .010	CHECKED BY LSCHMIDT	DATE 2004/07/21		
	▽=0	2 PLACES ± 0.25 ± .014	APPROVED BY FSMITH	DATE 2004/07/21		
▽=0	1 PLACE ± 0.35 ± ---	MATERIAL NO. SEE CHART				
REV: C3	DESCRIPTION	ANGULAR ±1/2°	SIZE C	SHEET NO. 1 OF 1		
DRAFT WHERE APPLICABLE MUST REMAIN WITHIN DIMENSIONS			THIS DRAWING CONTAINS INFORMATION THAT IS PROPRIETARY TO MOLEX INCORPORATED AND SHOULD NOT BE USED WITHOUT WRITTEN PERMISSION			

13	12	11	10	9	8	7	6	5	4	3	2	1
WIRE SIZE	MAX INSULATION	"A" ±.012 ±0.30	"C" ±.012 ±0.30	"D" ±.005 ±0.13	"E" ±.012 ±0.30	"G" ±.005 ±0.13	"H" ±.012 ±0.30					
20-24	.073/1.85	.090/2.29	.100/2.54	.030/0.76	.075/1.91	.025/0.64	.082/2.08					
26-30	.050/1.27	.075/1.91	.083/2.10	.025/0.64	.058/1.47	.020/0.51	.065/1.65					

MATERIAL NUMBER	PLATING	WIRE SIZE	FORM
43030-0051	A	20-24	CHAIN
43030-0052	B	20-24	CHAIN
43030-0053	C	20-24	CHAIN
43030-0056	C	26-30	CHAIN
43030-0059	C	20-24	LOOSE



- NOTES
- 1) MATERIAL: PHOSPHOR BRONZE ALLOY
  - 2) TERMINAL PLATING:  
 \*A\* - HOT TIN DIP: .000040/0.00102 MIN.  
 \*B\* - .000015/0.00038 MIN. SELECT GOLD  
 .000100/0.00254 MIN. SELET TIN  
 ALL OVER .000050/0.00127 MIN. NICKEL OVERALL.  
 \*C\* - .000030/0.00076 MIN. SELECT GOLD  
 .000100/0.00254 MIN. SELECT TIN  
 ALL OVER .000050/0.00127 MIN. NICKEL OVERALL.  
 MATERIAL NUMBERS WITH SELECT PLATING ARE POST PLATED.
  - 3) PRODUCT SPECIFICATION: PS-43045, PS-43650, PS-44300-001.
  - 4) PACKAGING SPECIFICATION: PK-43030-002 (REEL), PK-43030-003 (LOOSE).
  - 5) TERMINAL FOR USE IN A MICRO FIT RECEPTACLE #43025-\*\*\*\*, 43645-\*\*\*\*, or 44133-\*\*\*\*.
  - 6) FOR TERMINAL ORIENTATION IN RECEPTACLE SEE DRAWING #SDA-43025 OR SDA-43645.
  - 7) THIS TERMINAL IS DESIGNED IN METRIC.
  - 8) MOLEX RECOMMENDS THE USE OF MICRO-FIT TEST PLUG (SERIES 44242) WHENEVER CONTINUITY TESTING IS PERFORMED. TEST PLUGS MUST NOT BE USED TO MAKE OR BREAK UNDER LOAD. MOLEX DOES NOT RECOMMEND USING STANDARD MATING COMPONENTS (SERIES 43020, 43045, 43640, 43650, OR 43031) FOR HARNESS TESTING PURPOSES.
  - 9) TEXT ON PART IS FOR REFERENCE ONLY. TEXT AND TEXT LOCATION MAY VARY DEPENDING ON PART NUMBER AND/OR TOOL.

UPDATE FACTORY ID EC NO: UCP2017-2563 DRWINZHARPER 2017/05/31 CHKD: APPR:FSMITH 2017/09/29	QUALITY SYMBOLS	GENERAL TOLERANCES (UNLESS SPECIFIED)	DIMENSION STYLE IN/MM	SCALE 10:1	DESIGN UNITS METRIC	THIRD ANGLE PROJECTION
	▽=0	4 PLACES ± --- ± ---	DRAWN BY RHOLTS	DATE 2004/07/21	MICRO-FIT (3.0) FEMALE CRIMP TERMINAL, LEAD FREE <b>molex</b> DOCUMENT NO. SD-43030-002	
	▽=0	3 PLACES ± --- ± .010	CHECKED BY LSCHMIDT	DATE 2004/07/21		
	▽=0	2 PLACES ± 0.25 ± .014	APPROVED BY FSMITH	DATE 2004/07/21		
▽=0	1 PLACE ± 0.35 ± ---	MATERIAL NO. SEE CHART				
REV: C3	DESCRIPTION	ANGULAR ±1/2°	SIZE C	SHEET NO. 1 OF 1		
		DRAFT WHERE APPLICABLE MUST REMAIN WITHIN DIMENSIONS	THIS DRAWING CONTAINS INFORMATION THAT IS PROPRIETARY TO MOLEX INCORPORATED AND SHOULD NOT BE USED WITHOUT WRITTEN PERMISSION			