



HPI

TE Internal #: 440133-5

Housing, Receptacle, Wire-to-Wire, 5 Position, 2.5 mm [.098 in]  
Centerline, Crimp, 1 Row, Natural, Wire & Cable, Power & Signal,  
HPI

[View on TE.com >](#)

Connectors > PCB Connectors > Wire-to-Board Connectors > Wire-to-Board Connector Assemblies & Housings >

AMP HPI 2.5MM RECEPTACLE HOUSINGS



Connector Product Type: **Housing**

Connector & Housing Type: **Receptacle**

Connector System: **Wire-to-Wire**

Number of Positions: **5**

Centerline (Pitch): **2.5 mm [.098 in]**

[All AMP HPI 2.5MM RECEPTACLE HOUSINGS \(28\)](#)

**Features**

**Product Type Features**

Connector Product Type	Housing
Connector & Housing Type	Receptacle
Connector System	Wire-to-Wire
Sealable	No
Connector & Contact Terminates To	Wire & Cable

**Configuration Features**

Number of Positions	5
Number of Rows	1

**Electrical Characteristics**

Dielectric Withstanding Voltage (Max)	1000 VAC
Insulation Resistance	1000 MΩ
Operating Voltage	250 VAC



### Contact Features

Contact Layout	Inline
Contact Type	Socket
Contact Base Material	Phosphor Bronze
Contact Current Rating (Max)	3 A

### Termination Features

Termination Method to Wire & Cable	Crimp
------------------------------------	-------

### Mechanical Attachment

Strain Relief	Without
Panel Mount Feature	Without
Mating Retention	Without
Connector Mounting Type	Cable Mount (Free-Hanging)

### Housing Features

Housing Entry Configuration	Both Ends Closed
Housing Material	Nylon 66
Centerline (Pitch)	2.5 mm [.098 in]
Housing Color	Natural

### Dimensions

Connector Length	14.6 mm [.575 in]
Connector Height	4.2 mm [.165 in]
Connector Width	7.15 mm [.281 in]
Accepts Wire Insulation Diameter Range	1 – 1.9 mm [.039 – .075 in]
Wire Size	26 AWG

### Usage Conditions

Operating Temperature Range	-25 – 105 °C [-13 – 221 °F]
-----------------------------	-----------------------------

### Operation/Application

Circuit Application	Power & Signal
---------------------	----------------

### Industry Standards

Glow Wire Rating	Standard Part - Not Glow Wire
UL Flammability Rating	UL 94V-0

### Packaging Features



Packaging Quantity	1000
Packaging Method	Bag & Box

**Other**

Comment	114-57004
---------	-----------

**Product Compliance**

[For compliance documentation, visit the product page on TE.com>](#)

EU RoHS Directive 2011/65/EU	Compliant
EU ELV Directive 2000/53/EC	Compliant
China RoHS 2 Directive MIIT Order No 32, 2016	No Restricted Materials Above Threshold
EU REACH Regulation (EC) No. 1907/2006	Current ECHA Candidate List: JUNE 2022 (224) Candidate List Declared Against: JUNE 2022 (224) Does not contain REACH SVHC
Halogen Content	Low Halogen - Br, Cl, F, I < 900 ppm per homogenous material. Also BFR/CFR/PVC Free
Solder Process Capability	Not applicable for solder process capability

**Product Compliance Disclaimer**

This information is provided based on reasonable inquiry of our suppliers and represents our current actual knowledge based on the information they provided. This information is subject to change. The part numbers that TE has identified as EU RoHS compliant have a maximum concentration of 0.1% by weight in homogenous materials for lead, hexavalent chromium, mercury, PBB, PBDE, DBP, BBP, DEHP, DIBP, and 0.01% for cadmium, or qualify for an exemption to these limits as defined in the Annexes of Directive 2011/65/EU (RoHS2). Finished electrical and electronic equipment products will be CE marked as required by Directive 2011/65/EU. Components may not be CE marked. Additionally, the part numbers that TE has identified as EU ELV compliant have a maximum concentration of 0.1% by weight in homogenous materials for lead, hexavalent chromium, and mercury, and 0.01% for cadmium, or qualify for an exemption to these limits as defined in the Annexes of Directive 2000/53/EC (ELV). Regarding the REACH Regulation, the information TE provides on SVHC in articles for this part number is based on the latest European Chemicals Agency (ECHA) 'Guidance on requirements for substances in articles' posted at this URL: <https://echa.europa.eu/guidance-documents/guidance-on-reach>

**Compatible Parts**

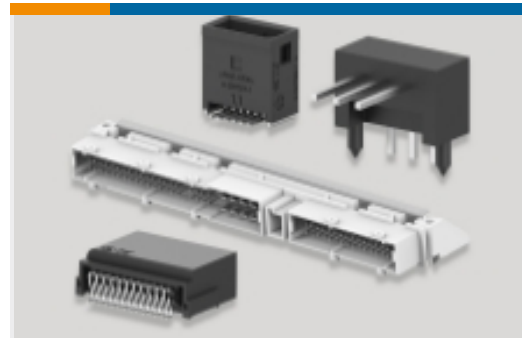
TE Part # CAT-H857-H34225  
AMP HPI 2.5MM HEADERS

TE Part # 440134-1  
2.5mm,Crimp Contact

TE Part # 6-440052-5  
2.5MM,HDR,5POS,VERTICAL CONN W /O REGRIND

TE Part # 5-440052-3  
5 POS 3RD PIN OMITTED HPI 2MM PITCH HDR

## Also in the Series | HPI



PCB Headers & Receptacles(362)



Wire-to-Board Connector Assemblies & Housings(139)



Wire-to-Board Connector Contacts(2)

## Customers Also Bought



TE Part #440129-4  
2.0MM,HSG,4POS



TE Part #316768-1  
STD Temp Power Double Lock Plug



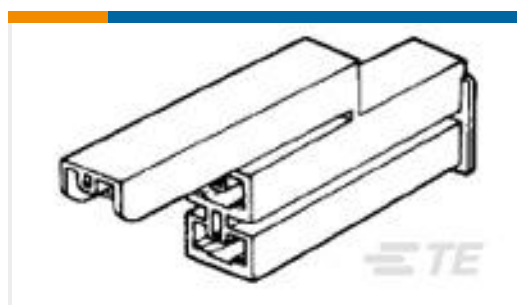
TE Part #2132781-4  
04P EP-II HOUSING, NATURAL



TE Part #2132781-3  
03P EP-II HOUSING, NATURAL



TE Part #2132781-5  
05P EP-II HOUSING, NATURAL



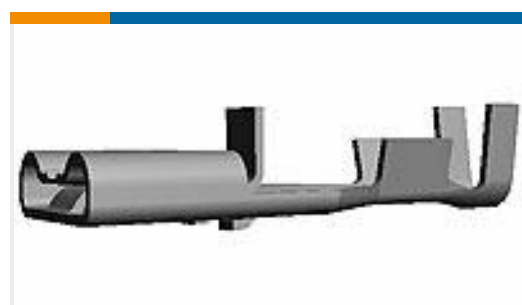
TE Part #1-172075-1  
3 POS PL 187(4.8 MM) HOUSING  
NATURAL



TE Part #316769-1  
POWER D/LOCK CAP HSG 1P  
NATURA



TE Part #42404-1  
250 FASTON FLAG REC 18-12 AWG  
NPST



TE Part #170327-1  
250 PL MKII REC. 22-18AWG PTBR

## Documents

### Product Drawings

2.5MM,HSG,5POS

English

### CAD Files

3D PDF

3D



**Customer View Model**

[ENG\\_CVM\\_CVM\\_440133-5\\_C.2d\\_dxf.zip](#)

English

**Customer View Model**

[ENG\\_CVM\\_CVM\\_440133-5\\_C.3d\\_igs.zip](#)

English

**Customer View Model**

[ENG\\_CVM\\_CVM\\_440133-5\\_C.3d\\_stp.zip](#)

English

By downloading the CAD file I accept and agree to the [Terms and Conditions](#) of use.

---

**Datasheets & Catalog Pages**

[HPI Connectors QRG](#)

English

---

**Product Specifications**

[AMP 2.5MM PITCH HPI WIRE TO BOARD SYSTEM.](#)

English

[Application Specification](#)

English

---

**Product Environmental Compliance**

[TE Material Declaration](#)

English

---

**Agency Approvals**

[UL Report](#)

English