

40702 ✓ ACTIVE

TE Internal #: 40702

Ring Terminals & Spade Terminals, Ring Tongue, 20 – 14 AWG

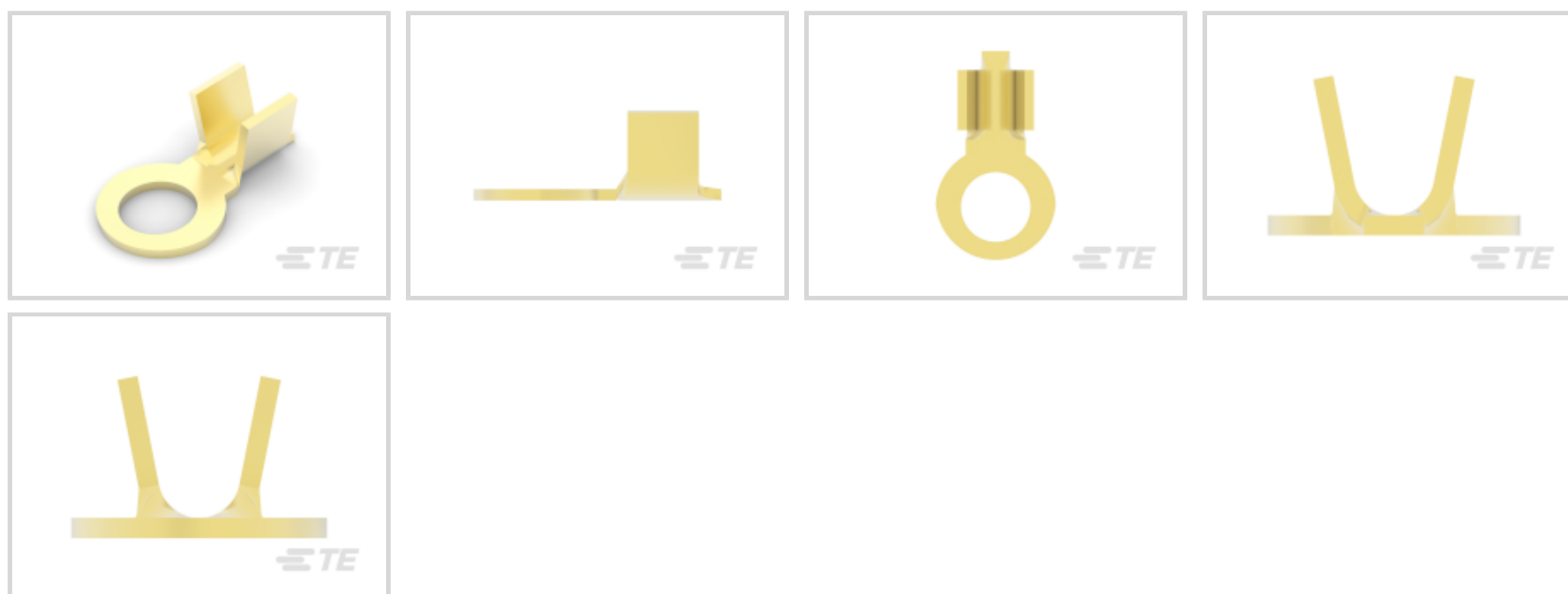
Wire Size, .5 – 2 mm² Wire Size, 1021 – 4106 CMA Wire Size, Stud

Size M3.5 / #6

[View on TE.com >](#)



Terminals & Splices > Ring Terminals & Spade Terminals



Ring & Spade Terminal Type: **Ring Tongue**

Wire Size: **1021 – 4106 CMA**

Stud Size: **#6, M3.5**

Features

Product Type Features

Shape Description	Circular/Oval
Stud Size	#6, M3.5
Sealable	No
Compatible With Discrete Wire Type	Stranded
Wire Insulation Support Retention Type	Non-Insulation Support

Configuration Features

Number of Holes	1
Terminal Angle	180 °

Body Features

Inspection Slot	No
Weight per Piece	.22 g

Contact Features

Contact Base Material	Brass
Ring & Spade Terminal Type	Ring Tongue
Barrel Type	Open
Terminal Orientation	Straight



Terminal Plating Material	Unplated
---------------------------	----------

Contact Underplating Material	None
-------------------------------	------

Mechanical Attachment

Wire Insulation Support	Without
-------------------------	---------

Dimensions

Wire Size	1021 – 4106 CMA
-----------	-----------------

Stud Diameter	3.68 mm[.145 in]
---------------	------------------

Tongue Thickness	.51 mm[.02 in]
------------------	----------------

Overall Product Length	9.91 mm[.39 in]
------------------------	-----------------

Barrel Inside Diameter	2.03 mm[.08 in]
------------------------	-----------------

Usage Conditions

Insulation Option	Uninsulated
-------------------	-------------

Operating Temperature Range	-40 – 110 °C[-40 – 230 °F]
-----------------------------	----------------------------

Operation/Application

Compatible With Wire Base Material	Copper
------------------------------------	--------

Heavy Duty	No
------------	----

Industry Standards

Government Qualified	No
----------------------	----

Packaging Features

Packaging Quantity	20000
--------------------	-------

Packaging Method	Strip/Reel
------------------	------------

Product Compliance

[For compliance documentation, visit the product page on TE.com>](#)

EU RoHS Directive 2011/65/EU	Compliant
------------------------------	-----------

EU ELV Directive 2000/53/EC	Compliant
-----------------------------	-----------

China RoHS 2 Directive MIIT Order No 32, 2016	No Restricted Materials Above Threshold
---	---

EU REACH Regulation (EC) No. 1907/2006	Current ECHA Candidate List: JUNE 2022 (224) Candidate List Declared Against: JAN 2022 (223) SVHC > Threshold: Not Yet Reviewed
--	--

Halogen Content	Low Halogen - Br, Cl, F, I < 900 ppm per
-----------------	--



homogenous material. Also BFR/CFR/PVC Free

Solder Process Capability

Not applicable for solder process capability

Product Compliance Disclaimer

This information is provided based on reasonable inquiry of our suppliers and represents our current actual knowledge based on the information they provided. This information is subject to change. The part numbers that TE has identified as EU RoHS compliant have a maximum concentration of 0.1% by weight in homogenous materials for lead, hexavalent chromium, mercury, PBB, PBDE, DBP, BBP, DEHP, DIBP, and 0.01% for cadmium, or qualify for an exemption to these limits as defined in the Annexes of Directive 2011/65/EU (RoHS2). Finished electrical and electronic equipment products will be CE marked as required by Directive 2011/65/EU. Components may not be CE marked. Additionally, the part numbers that TE has identified as EU ELV compliant have a maximum concentration of 0.1% by weight in homogenous materials for lead, hexavalent chromium, and mercury, and 0.01% for cadmium, or qualify for an exemption to these limits as defined in the Annexes of Directive 2000/53/EC (ELV). Regarding the REACH Regulation, the information TE provides on SVHC in articles for this part number is based on the latest European Chemicals Agency (ECHA) 'Guidance on requirements for substances in articles' posted at this URL: <https://echa.europa.eu/guidance-documents/guidance-on-reach>

Compatible Parts



TE Part # 440456-1
67544-51 BS2 TERMINAL



TE Part # 61142-2
RING 18-14 6 020TPBR

Customers Also Bought



TE Part #1719840-1
MCON 2.8 TERMINAL - LL



TE Part #350873-1
UMNL PIN 18-14 .0126 PTPBR



TE Part #3-160256-1
250 FASTON,REC.,17-14 AWG,TPPB



TE Part #42329-1
SPLICE 1200-2600 .012 NPST



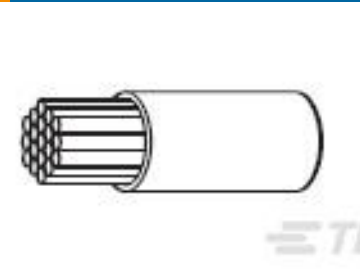
TE Part #5-160429-6
187 FASTON REC 16-14 AWG TPBZ



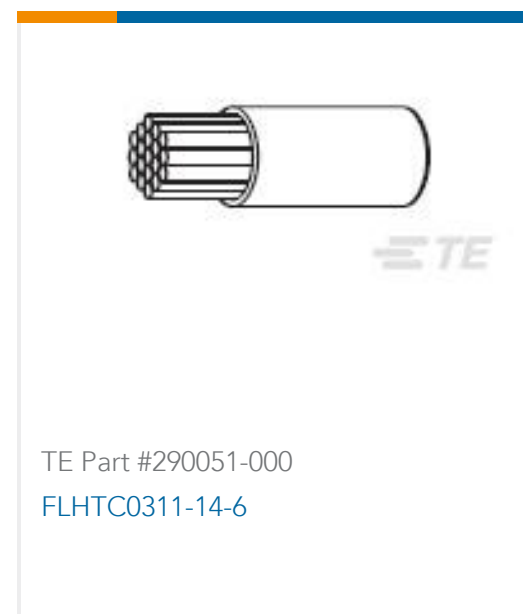
TE Part #63232-1
POSITIVE LOCK 187 REC 20-16 AWG TPBR



TE Part #293322-1
CRIMPED TAB CONTACT, P.C.B. INTERFACE



TE Part #487075-000
FLHTC0311-14-0



Documents

Product Drawings

RING 20-14 AWG BR

English

CAD Files

3D PDF

3D

Customer View Model

[ENG_CVM_CVM_40702_W_c-40702-w.2d_dxf.zip](#)

English

Customer View Model

[ENG_CVM_CVM_40702_W_c-40702-w.3d_igs.zip](#)

English

Customer View Model

[ENG_CVM_CVM_40702_W_c-40702-w.3d_stp.zip](#)

English

By downloading the CAD file I accept and agree to the [Terms and Conditions](#) of use.

Product Specifications

Product Specification

English

Product Specification

English

Product Specification

English

Product Environmental Compliance

TE Material Declaration

English

Agency Approvals

UL Report

English