

42822-4 ✓ ACTIVE

FASTON | FASTON 250

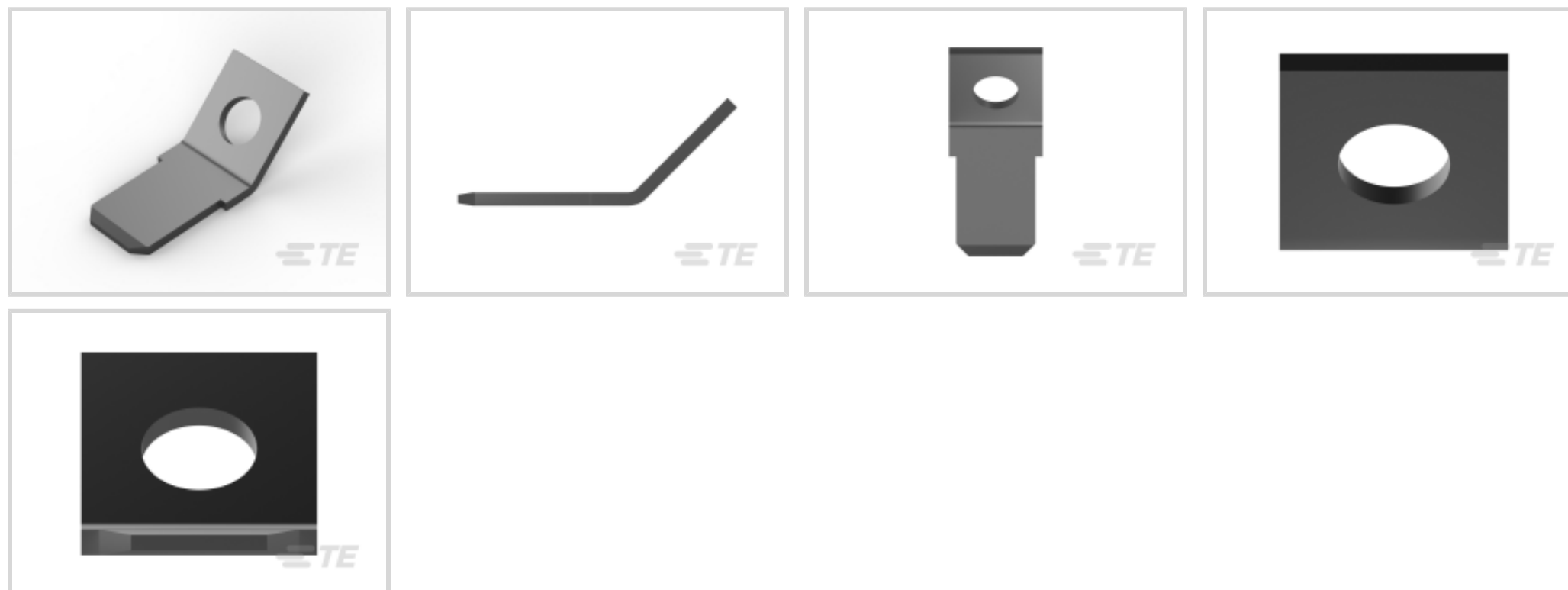
TE Internal #: 42822-4

PCB Terminals, Tab, Mating Tab Width 6.35 mm [.25 in], PCB Hole Diameter 2.46 mm [.097 in], Through Hole - Screw, Tin Plating, Brass, FASTON 250

[View on TE.com >](#)



Terminals & Splices > PCB Terminals



PCB Terminal Type: **Tab**

Mating Tab Width: **6.35 mm [.25 in]**

Mating Tab Thickness: **.81 mm [.032 in]**

PCB Hole Diameter: **2.46 mm [.097 in]**

Termination Method to Printed Circuit Board: **Through Hole - Screw**

Features

Product Type Features

Insertion Force	Low
PCB Terminal Mounting Style	Stud Mount

Configuration Features

Stud Hole	Yes
Terminal Angle	45 °

Body Features

	40 μin
--	--------

Contact Features

PCB Terminal Type	Tab
Mating Tab Width	6.35 mm [.25 in]
Mating Tab Thickness	.81 mm [.032 in]
Terminal Plating Material	Tin
Contact Underplating Material	Brass
Terminal Size	6.35



Terminal Orientation	45 Bend
----------------------	---------

Termination Features

Termination Method to Printed Circuit Board	Through Hole - Screw
Product Terminates To	Printed Circuit Board

Dimensions

Receptacle Terminal Stock Thickness	.78 mm[.031 in]
Stud Diameter	3.68 mm[.145 in]
PCB Hole Diameter	2.46 mm[.097 in]

Usage Conditions

Insulation Option	Uninsulated
Operating Temperature Range	-30 – 110 °C[-22 – 230 °F]

Packaging Features

Packaging Quantity	1000
Packaging Method	Bag

Product Compliance

[For compliance documentation, visit the product page on TE.com>](#)




EU RoHS Directive 2011/65/EU	Compliant
EU ELV Directive 2000/53/EC	Compliant
China RoHS 2 Directive MIIT Order No 32, 2016	No Restricted Materials Above Threshold
EU REACH Regulation (EC) No. 1907/2006	Current ECHA Candidate List: JUNE 2022 (224) Candidate List Declared Against: JAN 2022 (223) SVHC > Threshold: Not Yet Reviewed
Halogen Content	Low Halogen - Br, Cl, F, I < 900 ppm per homogenous material. Also BFR/CFR/PVC Free
Solder Process Capability	Not applicable for solder process capability

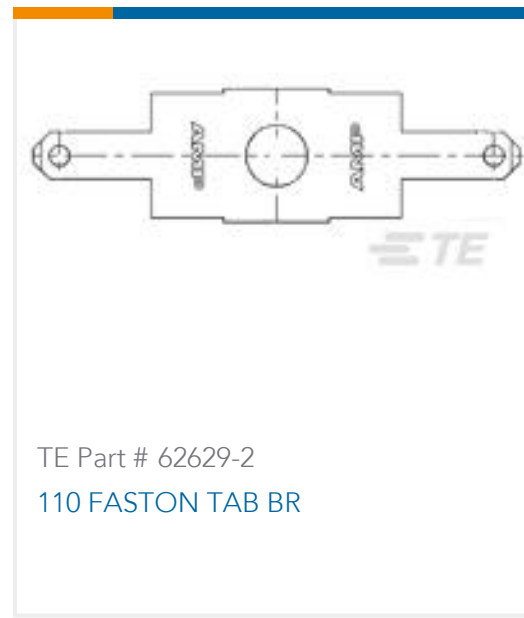
Product Compliance Disclaimer

This information is provided based on reasonable inquiry of our suppliers and represents our current actual knowledge based on the information they provided. This information is subject to change. The part numbers that TE has identified as EU RoHS compliant have a maximum concentration of 0.1% by weight in homogenous materials for lead, hexavalent chromium, mercury, PBB, PBDE, DBP, BBP, DEHP, DIBP, and 0.01% for cadmium, or qualify for an exemption to these limits as defined in the Annexes of Directive 2011/65/EU (RoHS2). Finished electrical and electronic equipment products will be CE marked as required by Directive 2011/65/EU. Components may not be CE marked. Additionally, the part

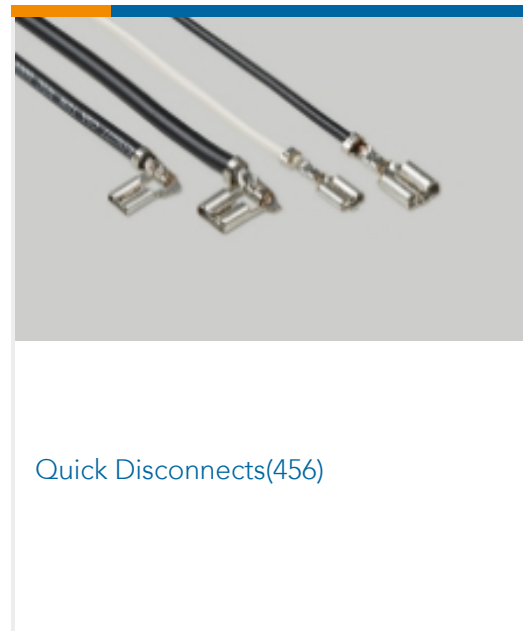
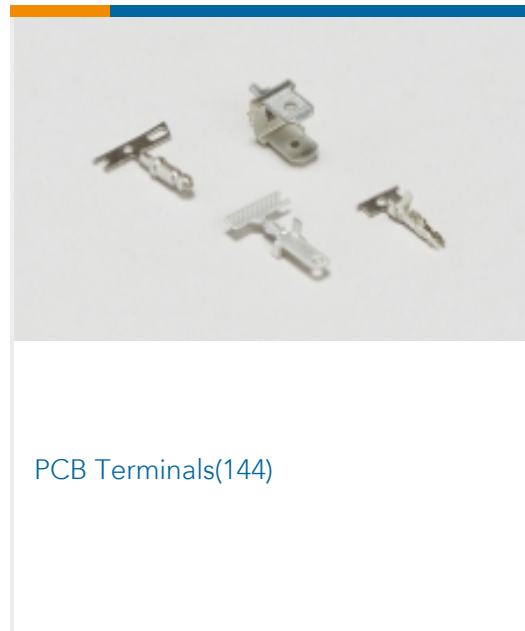
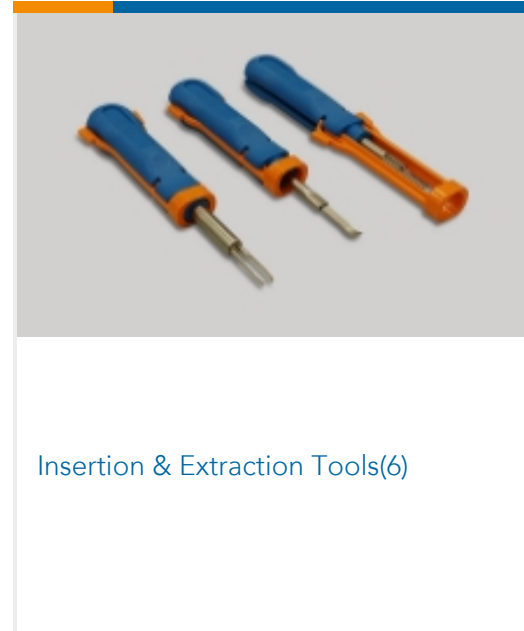
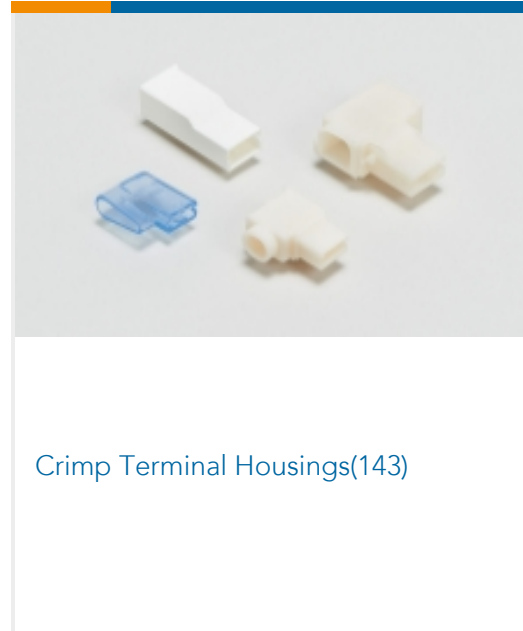
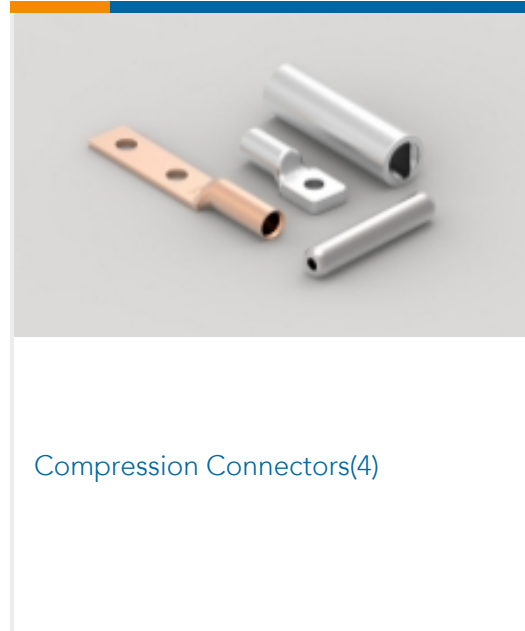
numbers that TE has identified as EU ELV compliant have a maximum concentration of 0.1% by weight in homogenous materials for lead, hexavalent chromium, and mercury, and 0.01% for cadmium, or qualify for an exemption to these limits as defined in the Annexes of Directive 2000/53/EC (ELV). Regarding the REACH Regulation, the information TE provides on SVHC in articles for this part number is based on the latest European Chemicals Agency (ECHA) 'Guidance on requirements for substances in articles' posted at this URL: <https://echa.europa.eu/guidance-documents/guidance-on-reach>

Compatible Parts

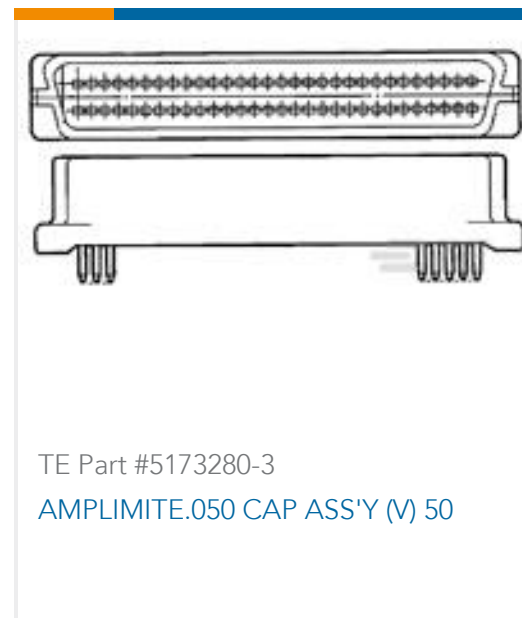
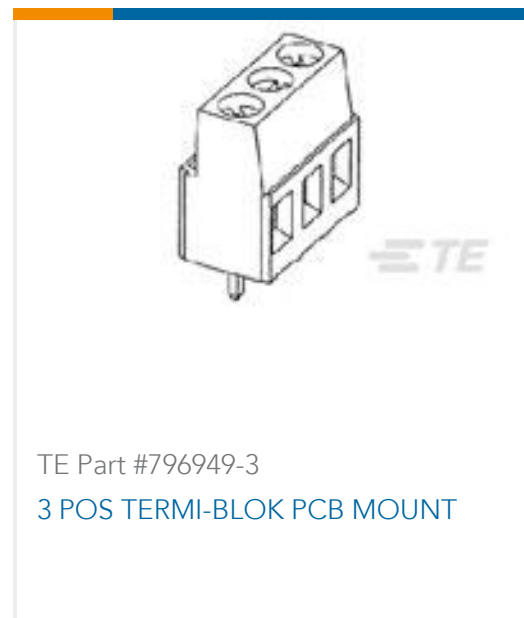
 <p>TE Part # 42214-2 250 FASTON TAB TPBR</p>	 <p>TE Part # 60080-2 250 FASTON TAB TPBR</p>	 <p>TE Part # 62628-2 110 FASTON TAB BR</p>	 <p>TE Part # 140814-2 250 FASTON,TAB,TPBR</p>
 <p>TE Part # 42214-1 250 FASTON TAB BR</p>	 <p>TE Part # 60465-2 250 FASTON TAB TPBR</p>	 <p>TE Part # 42822-2 250 FASTON TAB TPBR</p>	 <p>TE Part # 1217558-2 250 FASTON,TAB,TPBR</p>
 <p>TE Part # 140598 250 FASTON,TAB,TPBR</p>	 <p>TE Part # 1217050-1 187 FASTON,TAB,TPBR</p>	 <p>TE Part # 140759 250 FASTON,TAB,TPBR</p>	 <p>TE Part # 62628-1 100 FASTON TAB TPST</p>
 <p>TE Part # 140734-2 250 FASTON,TAB,TPBR</p>	 <p>TE Part # 62162-1 187 FASTON TAB TPBR</p>	 <p>TE Part # 140660 250 FASTON,TAB,TPBR</p>	 <p>TE Part # 140734-1 250 FASTON,TAB,BR</p>



Also in the Series | FASTON 250



Customers Also Bought





Documents

Product Drawings

[250 FASTON TAB TPBR](#)

English

CAD Files

Customer View Model

[ENG_CVM_CVM_42822-4_AF.2d_dxf.zip](#)

English

[3D PDF](#)

3D

Customer View Model

[ENG_CVM_CVM_42822-4_AF.3d_igs.zip](#)

English

Customer View Model

[ENG_CVM_CVM_42822-4_AF.3d_stp.zip](#)

English

By downloading the CAD file I accept and agree to the [Terms and Conditions](#) of use.

Datasheets & Catalog Pages

[FASTON Tabs](#)

English

Product Specifications

[Application Specification](#)

English

Product Environmental Compliance

[MD_42822-4_0809201814_dmtec](#)

English

[MD_42822-4_0809201814_dmtec](#)

English

Agency Approvals

[CSA Certificate](#)

English

[CSA Certificate](#)

42822-4

PCB Terminals, Tab, Mating Tab Width 6.35 mm [.25 in], PCB Hole Diameter 2.46 mm [.097 in], Through Hole - Screw, Tin Plating, Brass, FASTON 250



English