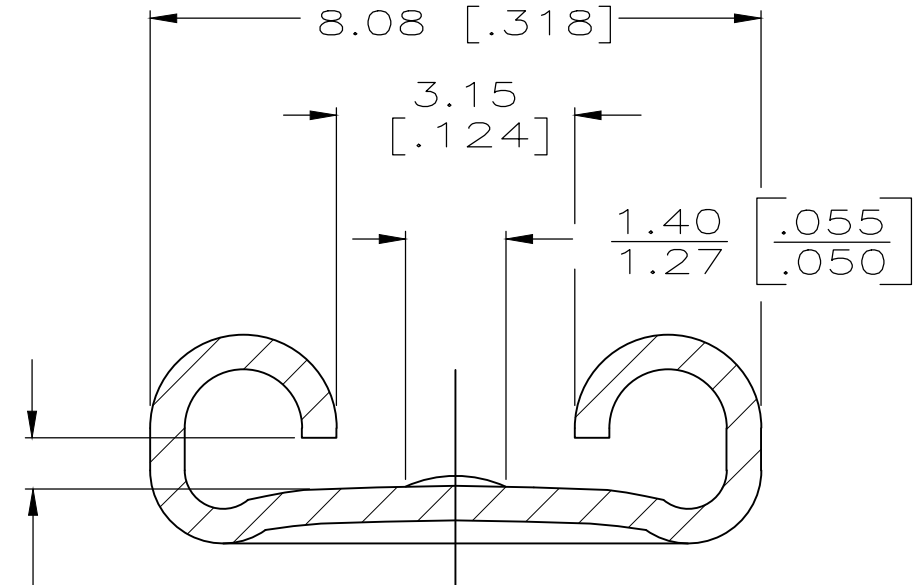
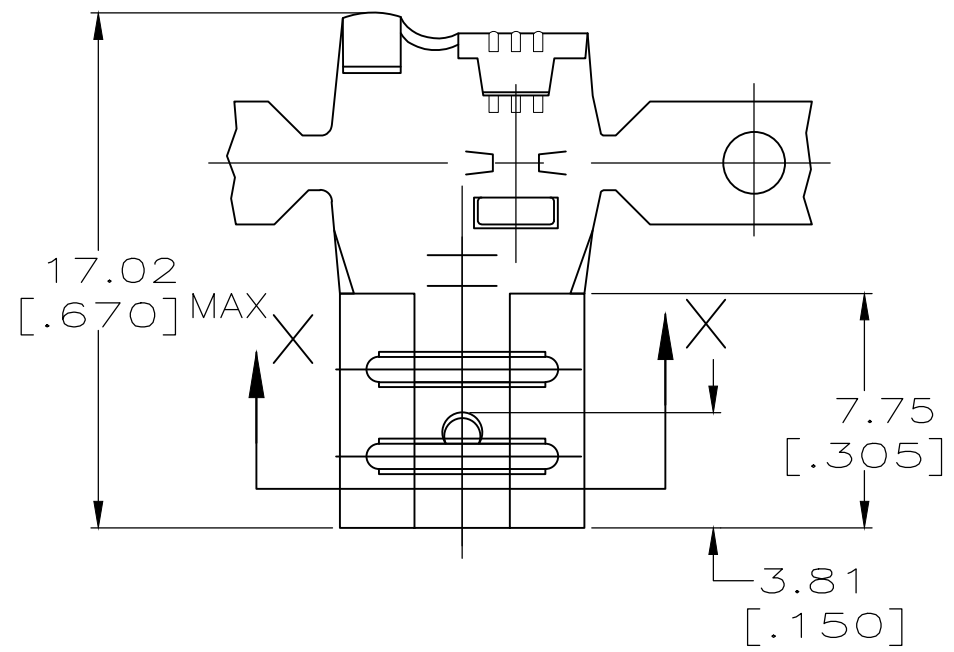


THIS DRAWING IS UNPUBLISHED. RELEASED FOR PUBLICATION  
 © COPYRIGHT - By - ALL RIGHTS RESERVED.

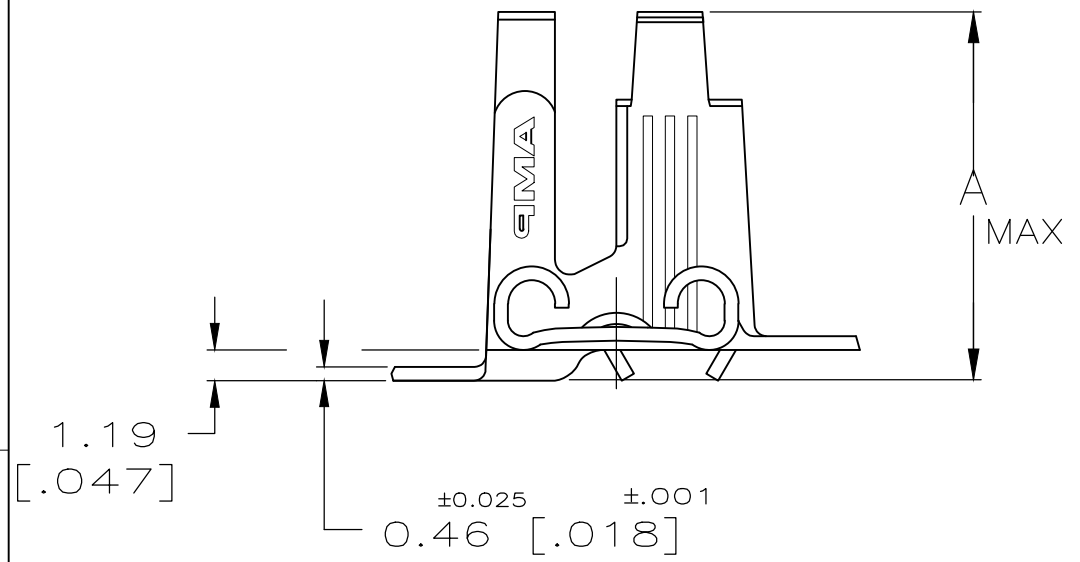
REVISIONS				
P	LTR	DESCRIPTION	DATE	APVD
AD1		REVISED ECR-18-011675	23JUL2018	BH RP



FITS 6.35 [.250] SERIES FASTON TABS

SECTION X-X  
SCALE 10:1

- 1 CONTINUOUS STRIP ON REELS.
- 2 FOREIGN PRODUCTION ONLY
- 3 SILVER PL 0.00381 [.000150] MIN
- 5 NICKEL PL 0.00381 [.000150] MIN



DIM A	INSULATION RANGE	WIRE RANGE	MATING TAB THK ±0.025 [.001]	FINISH	MATERIAL	PART NO
12.19 [.480]		3.0-5.0mm <sup>2</sup> [12-10] AWG 6000-10600 CMA		NICKEL 5	T2 STEEL	42563-9
				TIN	T3 PHOS BRZ	42563-8
				SILVER 3	T3 PHOS BRZ	42563-6
				SILVER 3	T3 PHOS BRZ	<del>42563-7</del>
				TIN	T3 PHOS BRZ	<del>42563-5</del>
				-	T3 PHOS BRZ	<del>42563-4</del>
				SILVER 3	#4H BRASS	<del>42563-3</del>
				TIN	#4H BRASS	42563-2
				-	#4H BRASS	<del>42563-1</del>

THIS DRAWING IS A CONTROLLED DOCUMENT.

DWN	JR RUTH	2/14/91	<b>STE</b> TE Connectivity Ltd.
CHK	P FORTNEY	2/14/91	
APVD	C MEYERS	2/14/91	
PRODUCT SPEC	D REINER	2/14/91	
APPLICATION SPEC	-	-	NAME
DIMENSIONS: INCHES			0.813 [.032]
TOLERANCES UNLESS OTHERWISE SPECIFIED:			RECEPTACLE, FASTON, FLAG, 6.35 [.250] SERIES
0 PLC ± -			SIZE
1 PLC ± -			CAGE CODE
2 PLC ± 0.38 [.015]			DRAWING NO
3 PLC ± -			RESTRICTED TO
4 PLC ± -			A3 00779 C-42563
ANGLES ± -			SCALE
FINISH			SHEET
SEE TABLE			1 OF 1
MATERIAL			REV
SEE TABLE			AD1

CUSTOMER DRAWING