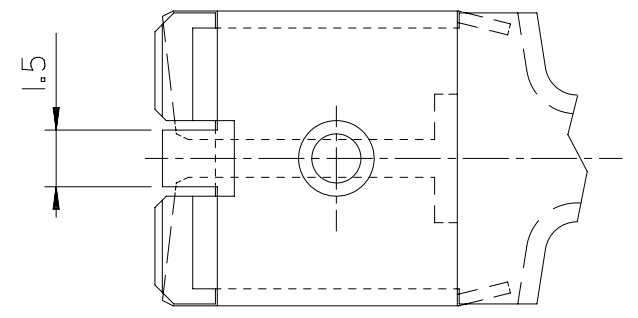
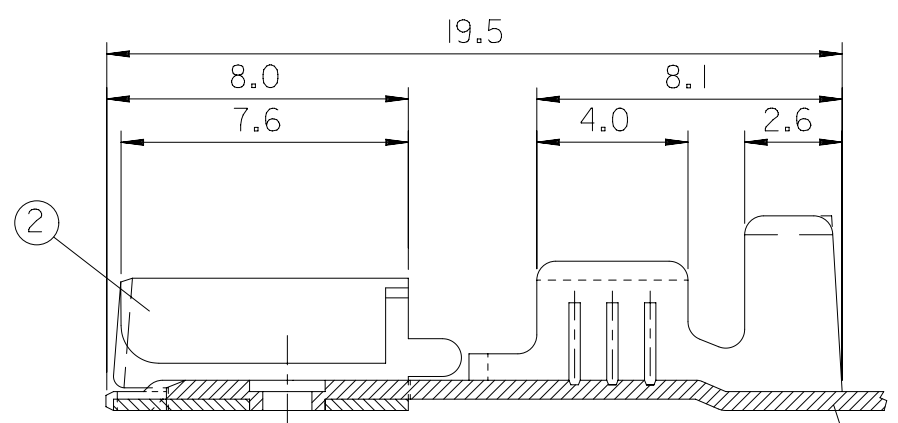
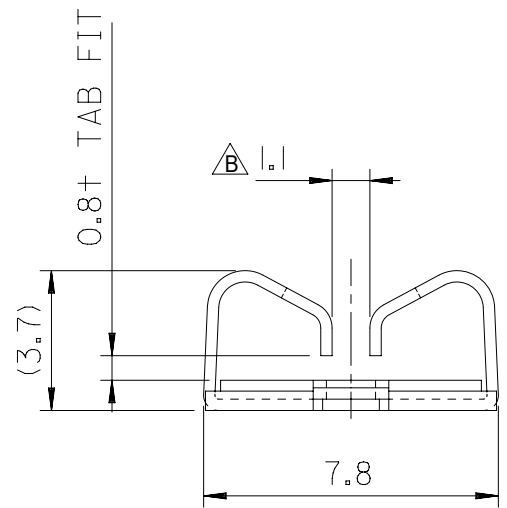


SECTION A-A

SECTION B-B



PART NO.		a	b	Rc	d	e	Rf	WIRE RANGE (mm <sup>2</sup> )	Q'TY/REEL
35430-1800	M	3.5	3.5	1.6	5.5	5.2	2.3	0.85 ~ 1.25	
35430-1900	L	5.5	4.8	2.1	6.6	6.5	2.6	2.0 ~ 3.0	

	PART NO.	PART NAME	MATERIAL	FINISH
①	35428-6702 -6802 -6902	POWERMATE FEMALE TER'L-BODY (S,M,L)	COPPER ALLOY 0.5+	PRE-TIN PLATING
②	35429-6000	POWERMATE FEMALE TER'L-CONTACT	COPPER ALLOY 0.3+	UNPLATING

THIS DRAWING CONTAINS INFORMATION THAT IS PROPRIETARY TO MOLEX ELECTRONIC TECHNOLOGIES, LLC AND SHOULD NOT BE USED WITHOUT WRITTEN PERMISSION

DIMENSION UNITS <b>mm</b>	SCALE <b>5:1</b>	CURRENT REV DESC: OBSOLETE PART NO				
GENERAL TOLERANCES (UNLESS SPECIFIED)		<b>molex</b> POWERMATE FEMALE TERMINAL 2PIECES(S.M.L) PRODUCT CUSTOMER DRAWING				
4 PLACES	±				MM	INCH
3 PLACES	±					
2 PLACES	±					
1 PLACE	±				0.3	
0 PLACES	±					
ANGULAR TOL	±	3.0°				
DRAFT WHERE APPLICABLE MUST REMAIN WITHIN DIMENSIONS		THIRD ANGLE PROJECTION	DRAWING	SERIES		
			B-SIZE	35430		
DOCUMENT STATUS		DOC TYPE	DOC PART	REVISION		
P1	RELEASE DATE	PSD	001	B1		
2020/01/13	05:55:49	MATERIAL NUMBER		SHEET NUMBER		
		SEE TABLE	GENERAL MARKET	1 OF 1		