



Terminals & Splices > Quick Disconnects



Quick Disconnect Terminal Type: **Receptacle**

Wire Size: .51 – 1.31 mm²

Mating Tab Width: 4.75 mm [.187 in]

Mating Tab Thickness: .51 mm [.02 in]

Features

Product Type Features

Terminates To	Wire & Cable
Wire Stop	No
Wire/Cable Type	Regular Wire
Insertion Force	Normal
Sealable	No

Configuration Features

Connection Capacity	Single
---------------------	--------

Contact Features

Quick Disconnect Terminal Type	Receptacle
Mating Tab Width	4.75 mm [.187 in]
Mating Tab Thickness	.51 mm [.02 in]
Terminal Orientation	Straight
Contact Base Material	Brass
Terminal Plating Material	Tin
Crimp Type	F-Crimp



Barrel Type	Open
-------------	------

Mechanical Attachment

Mating Retention Type	Dimple
Wire Insulation Support	Without

Dimensions

Overall Length	11.93 mm[.47 in]
Receptacle Terminal Stock Thickness	.3 mm[.012 in]
Wire Size	.51 – 1.31 mm ²

Usage Conditions

Insulation Option	Uninsulated
Operating Temperature Range	-40 – 110 °C[-40 – 230 °F]

Industry Standards

UL Rating	Listed
CSA Certified	Yes

Packaging Features

Packaging Quantity	24000
Packaging Method	Strip/Reel

Other

Line	Premier
------	---------

Product Compliance

[For compliance documentation, visit the product page on TE.com>](#)

EU RoHS Directive 2011/65/EU	Compliant
EU ELV Directive 2000/53/EC	Compliant
China RoHS 2 Directive MIIT Order No 32, 2016	No Restricted Materials Above Threshold
EU REACH Regulation (EC) No. 1907/2006	Current ECHA Candidate List: JUNE 2022 (224) Candidate List Declared Against: JAN 2022 (223) SVHC > Threshold: Not Yet Reviewed
Halogen Content	Low Halogen - Br, Cl, F, I < 900 ppm per homogenous material. Also BFR/CFR/PVC Free

Solder Process Capability

Not applicable for solder process capability

Product Compliance Disclaimer

This information is provided based on reasonable inquiry of our suppliers and represents our current actual knowledge based on the information they provided. This information is subject to change. The part numbers that TE has identified as EU RoHS compliant have a maximum concentration of 0.1% by weight in homogenous materials for lead, hexavalent chromium, mercury, PBB, PBDE, DBP, BBP, DEHP, DIBP, and 0.01% for cadmium, or qualify for an exemption to these limits as defined in the Annexes of Directive 2011/65/EU (RoHS2). Finished electrical and electronic equipment products will be CE marked as required by Directive 2011/65/EU. Components may not be CE marked. Additionally, the part numbers that TE has identified as EU ELV compliant have a maximum concentration of 0.1% by weight in homogenous materials for lead, hexavalent chromium, and mercury, and 0.01% for cadmium, or qualify for an exemption to these limits as defined in the Annexes of Directive 2000/53/EC (ELV). Regarding the REACH Regulation, the information TE provides on SVHC in articles for this part number is based on the latest European Chemicals Agency (ECHA) 'Guidance on requirements for substances in articles' posted at this URL: <https://echa.europa.eu/guidance-documents/guidance-on-reach>

Compatible Parts



TE Part # 42197-2
205 FASTON REC 22-18 AWG TPBR



TE Part # 2-2150452-1
OCEAN_2.0_Applicator-E-090F



TE Part # 2-2150452-2
OCEAN_2.0_Applicator-E-090FA



TE Part # 2150452-1
OCEAN_2.0_Applicator-E-090F



TE Part # 2150452-2
OCEAN_2.0_Applicator-E-090FA



TE Part # 7-2150452-1
OCEAN_2.0_Applicator-E-090F

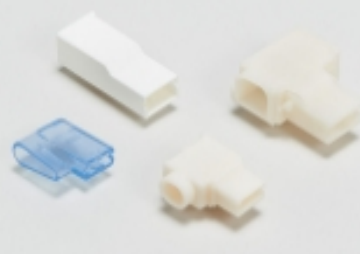


TE Part # 7-2150452-2
OCEAN_2.0_Applicator-E-090FA




KIT
REPRESENTATION ONLY
TE Part # 7-2150452-7
OCEAN_2.0_SPARE_PART_KIT-090F


Also in the Series | FASTON 187




Crimp Terminal Housings(41)



Insertion & Extraction Tools(1)



Joints & Splices(1)



PCB Terminals(48)



Quick Disconnects(214)

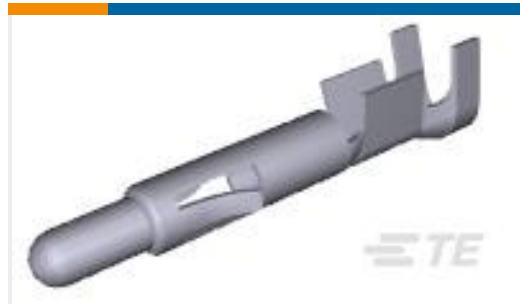


Splices(1)

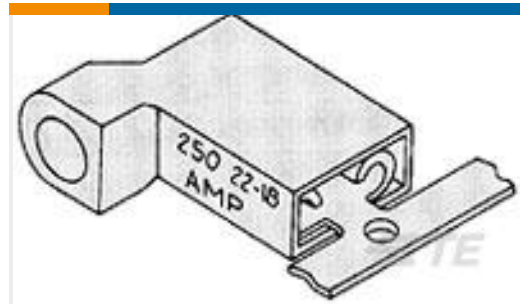
Customers Also Bought



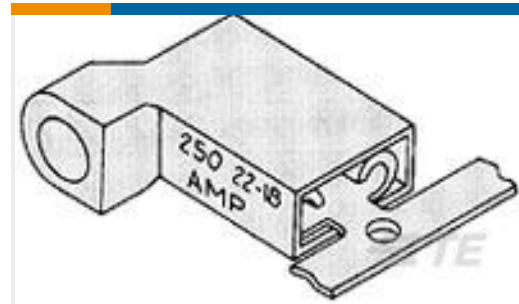
TE Part #34294
TAB,PIDG 22-16



TE Part #350547-1
UMNL PIN 20-14 PTPBR L/P



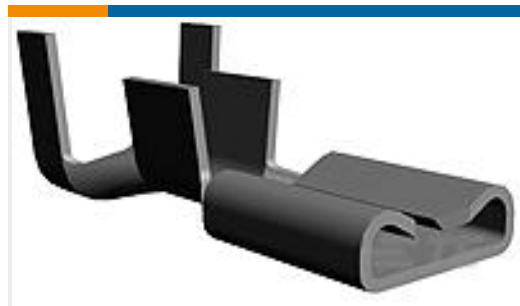
TE Part #3-520340-2
ULTRA-FAST 187 ASY REC 16-14 AWG TPBR



TE Part #3-520338-2
ULTRA-FAST 187 ASY REC 16-14 AWG TPBR



TE Part #61177-2
250 FASTON FLAG REC 18-12 AWG TPBR



TE Part #42799-1
187 FASTON REC 20-16 AWG BR



TE Part #1011-345-0305
DUST CAP, 3P, PLG, BLK, DT



TE Part #DT06-3S-P012
PLG, 3P, BLK, N



TE Part #W3P
WEDGE LOCK, 3P, REC, GRN, DT



TE Part #1438246-2
SPLICE, BUTT, HEATER WIRE 18-16AWG PTPBR

Documents

CAD Files

Customer View Model

[ENG_CVM_CVM_42373-2_AY.2d_dxf.zip](#)

English

3D PDF

3D

Customer View Model

[ENG_CVM_CVM_42373-2_AY.3d_igs.zip](#)



English

Customer View Model

[ENG_CVM_CVM_42373-2_AY.3d_stp.zip](#)

English

By downloading the CAD file I accept and agree to the [Terms and Conditions](#) of use.

Datasheets & Catalog Pages

[FASTIN_FASTON_Product_Line](#)

English

[82004 FASTON Terminals \(Insulated and Uninsulated\) Catalog - FASTON Receptacles Section](#)

English

Product Specifications

[Application Specification](#)

English

[Application Specification](#)

English

[Wire Preparation And Crimp Inspection Guide](#)

English

Product Environmental Compliance

[TE Material Declaration](#)

English

Agency Approvals

[CSA Certificate](#)

English

[CSA Certificate](#)

English