

42844-2 ✓ ACTIVE

FASTON | FASTON 250

TE Internal #: 42844-2

Quick Disconnects, Receptacle, 14 – 12 AWG Wire Size, 2 – 3 mm²

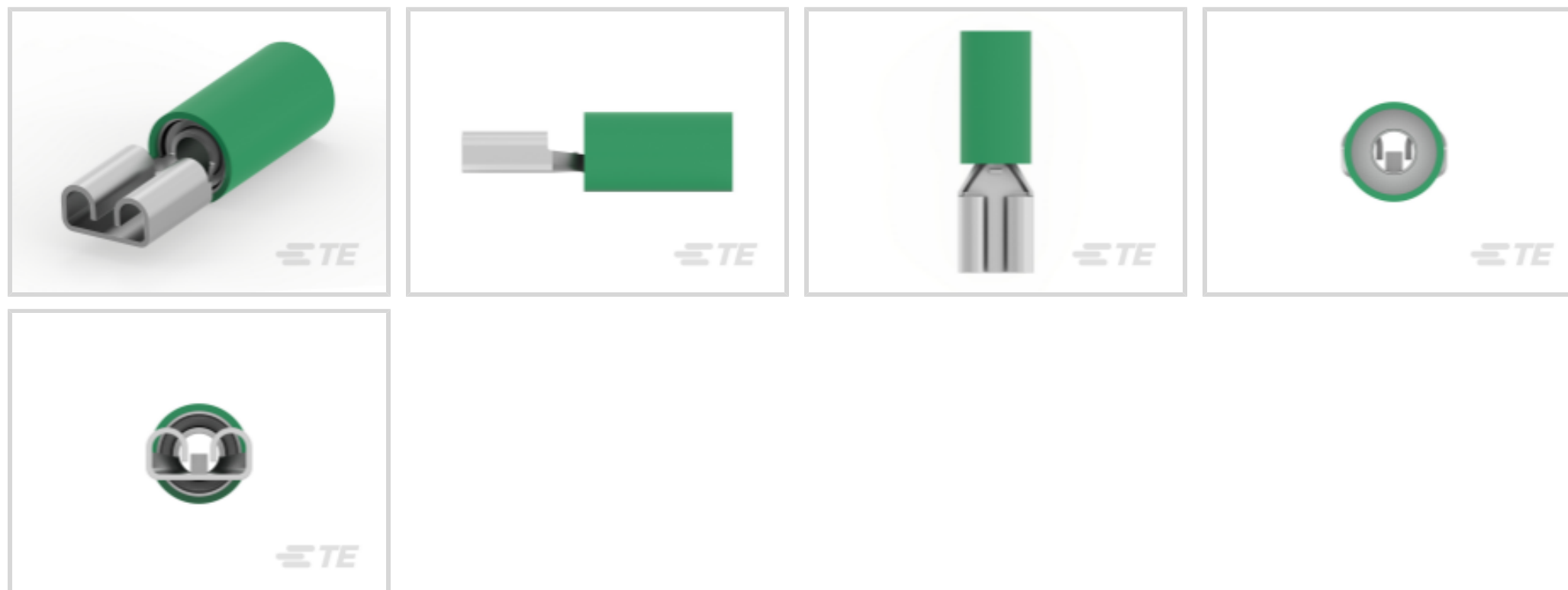
Wire Size, 4107 – 6530 CMA Wire Size, Mating Tab Width .25 in

[6.35 mm], FASTON 250

[View on TE.com >](#)



Terminals & Splices > Quick Disconnects



Quick Disconnect Terminal Type: **Receptacle**

Wire Size: **4107 – 6530 CMA**

Mating Tab Width: **6.35 mm [.25 in]**

Features

Product Type Features

| | |
|-----------------|--------------|
| Terminates To | Wire & Cable |
| Wire Stop | Yes |
| Insertion Force | Normal |
| Sealable | No |

Configuration Features

| | |
|---------------------|--------|
| Connection Capacity | Single |
|---------------------|--------|

Electrical Characteristics

| | |
|---------------|-------|
| Voltage (Max) | 300 V |
|---------------|-------|

Body Features

| | |
|---------------------|-------|
| Insulation Material | Nylon |
|---------------------|-------|

Contact Features

| | |
|--------------------------------|------------------|
| Quick Disconnect Terminal Type | Receptacle |
| Mating Tab Width | 6.35 mm [.25 in] |
| Mating Tab Thickness | .81 mm [.032 in] |
| Terminal Orientation | Straight |



| | |
|---------------------------|-----------------|
| Contact Base Material | Phosphor Bronze |
| Terminal Plating Material | Tin |
| Crimp Type | Compression |
| Barrel Type | Closed |

Mechanical Attachment

| | |
|-------------------------|--------|
| Mating Retention Type | Dimple |
| Wire Insulation Support | With |

Dimensions

| | |
|--|-------------------|
| Accepts Wire Insulation Diameter Range | 6.35 mm[.25 in] |
| Receptacle Terminal Stock Thickness | .46 mm[.018 in] |
| Overall Length | 25.7 mm[1.012 in] |
| Wire Size | 4107 – 6530 CMA |

Usage Conditions

| | |
|-----------------------------|---------------------|
| Insulation Option | Partially Insulated |
| Operating Temperature Range | 105 °C[221 °F] |

Industry Standards

| | |
|---------------------------|----|
| RU (UL Component Program) | No |
| CSA Certified | No |

Packaging Features

| | |
|--------------------|-------------|
| Packaging Quantity | 500 |
| Packaging Method | Loose Piece |

Other

| | |
|--------------|-------|
| Barrel Color | Green |
|--------------|-------|

Product Compliance

[For compliance documentation, visit the product page on TE.com>](#)

| | |
|---|---|
| EU RoHS Directive 2011/65/EU | Compliant |
| EU ELV Directive 2000/53/EC | Compliant |
| China RoHS 2 Directive MIIT Order No 32, 2016 | No Restricted Materials Above Threshold |
| EU REACH Regulation (EC) No. 1907/2006 | Current ECHA Candidate List: JUNE 2022 (224) Candidate List Declared Against: JAN 2022 (223) |



SVHC > Threshold:
Not Yet Reviewed

Halogen Content

Low Halogen - Br, Cl, F, I < 900 ppm per homogenous material. Also BFR/CFR/PVC Free

Solder Process Capability

Not reviewed for solder process capability

Product Compliance Disclaimer

This information is provided based on reasonable inquiry of our suppliers and represents our current actual knowledge based on the information they provided. This information is subject to change. The part numbers that TE has identified as EU RoHS compliant have a maximum concentration of 0.1% by weight in homogenous materials for lead, hexavalent chromium, mercury, PBB, PBDE, DBP, BBP, DEHP, DIBP, and 0.01% for cadmium, or qualify for an exemption to these limits as defined in the Annexes of Directive 2011/65/EU (RoHS2). Finished electrical and electronic equipment products will be CE marked as required by Directive 2011/65/EU. Components may not be CE marked. Additionally, the part numbers that TE has identified as EU ELV compliant have a maximum concentration of 0.1% by weight in homogenous materials for lead, hexavalent chromium, and mercury, and 0.01% for cadmium, or qualify for an exemption to these limits as defined in the Annexes of Directive 2000/53/EC (ELV). Regarding the REACH Regulation, the information TE provides on SVHC in articles for this part number is based on the latest European Chemicals Agency (ECHA) 'Guidance on requirements for substances in articles' posted at this URL: <https://echa.europa.eu/guidance-documents/guidance-on-reach>

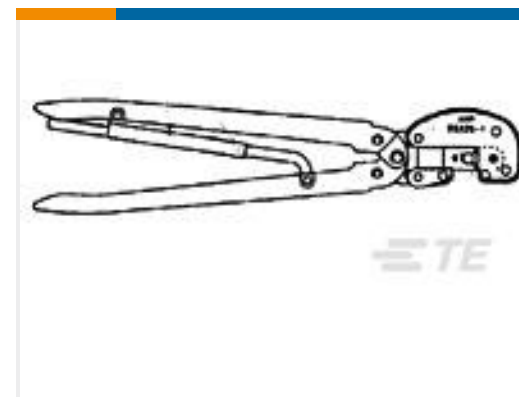
Compatible Parts



TE Part # 2323802-8
SSRMP SERES, Mini Puck, 16A, 240VAC, R-DC I/P



TE Part # 2323802-5
SSRMP SERES, Mini Puck, 16A, 480V AC-DC I/P



TE Part # 90246-1
HHHT PIDG FASTON 14-12 ASSY



TE Part # 2323802-2
SSRMP SERES, Mini Puck, 16A, 240V AC-DC I/P

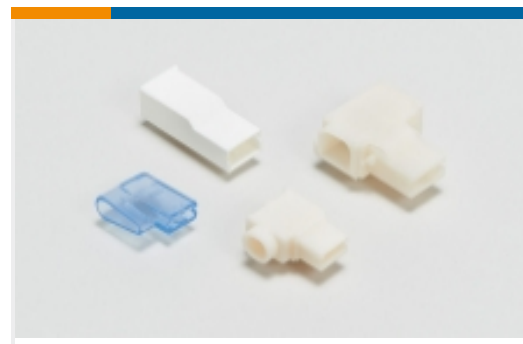


TE Part # 1-2323802-2
SSRMP SERES, Mini Puck, 16A, 480VAC, R-DC I/P

Also in the Series | **FASTON 250**



Compression Connectors(4)



Crimp Terminal Housings(143)



Insertion & Extraction Tools(6)



Magnet Wire Terminals(1)



PCB Terminals(144)

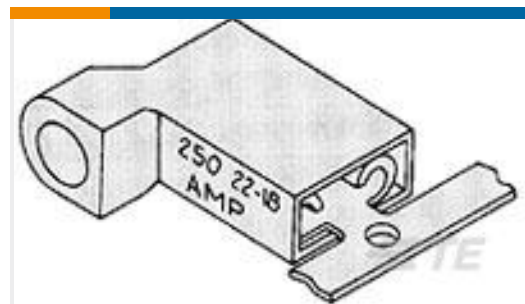


Quick Disconnects(456)



Splices(4)

Customers Also Bought



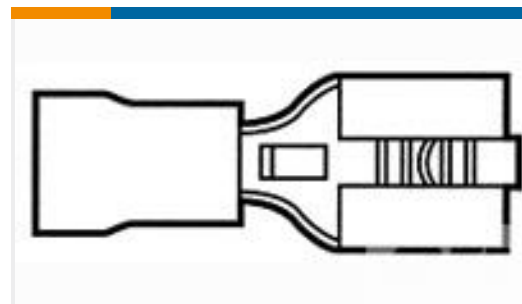
TE Part #3-520133-2
ULTRA-FAST 250 ASY REC 16-14 AWG
TPBR



TE Part #200867-1
SERIES "M" JACKSCREW FEM. ASSY



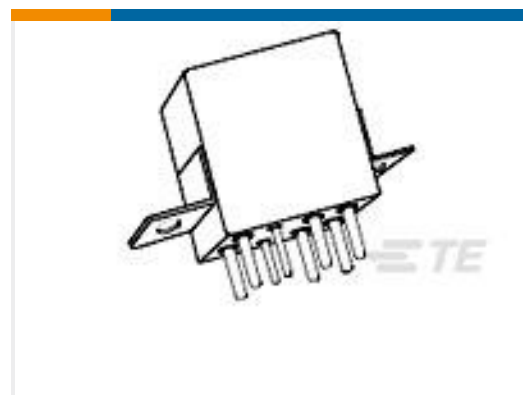
TE Part #160298
PIDG RING 12-10 5/16



TE Part #160314-2
250 FASTON



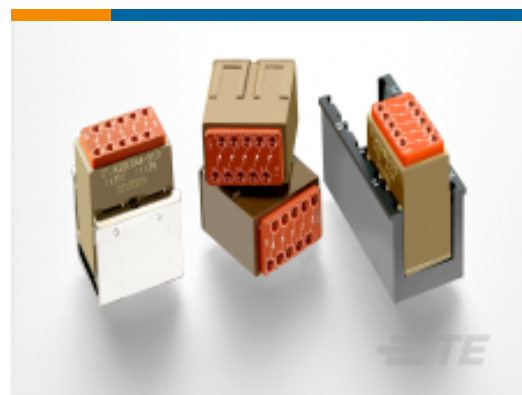
TE Part #YDTS20W25-29SNV001
RECP ASSY



TE Part #1617749
FCA-210-0924M=M83536/9-024M



TE Part #8-640923-1
RECEPT,PIDG FASTON 22-18 110



TE Part #CTJ420E044-513
ELEC MODULE

Documents

Product Drawings

[RECEPT,PIDG FASTON 14-12 250](#)

English

CAD Files

[3D PDF](#)

[3D](#)

[Customer View Model](#)

[ENG_CVM_CVM_42844-2_AU.2d_dxf.zip](#)



English

Customer View Model

[ENG_CVM_CVM_42844-2_AU.3d_igs.zip](#)

English

Customer View Model

[ENG_CVM_CVM_42844-2_AU.3d_stp.zip](#)

English

[3D PDF](#)

English

Customer View Model

[ENG_CVM_42844-2_Z.2d_dxf.zip](#)

English

Customer View Model

[ENG_CVM_42844-2_Z.3d_igs.zip](#)

English

Customer View Model

[ENG_CVM_42844-2_Z.3d_stp.zip](#)

English

By downloading the CAD file I accept and agree to the [Terms and Conditions](#) of use.

Datasheets & Catalog Pages

[PIDG_FASTON](#)

English

[Ultra-Fast and Ultra Fast Plus](#)

English

Product Specifications

[Application Specification](#)

English

Agency Approvals

[CSA Certificate](#)

English