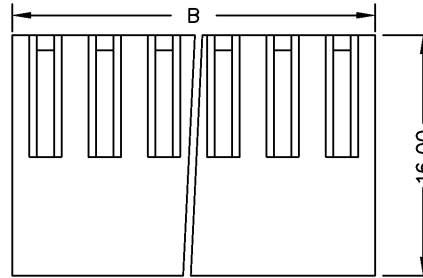
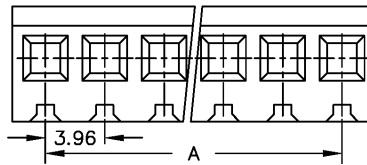
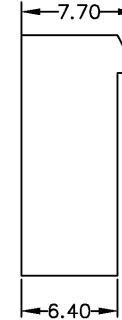


Dimensions					
Item	A	B	Item	A	B
2	3.96	8.45	11	39.60	44.07
3	7.92	12.39	12	43.56	48.03
4	11.88	16.35	13	47.52	51.99
5	15.84	20.31	14	51.48	55.95
6	19.80	24.27	15	55.44	59.91
7	23.76	28.23	16	59.40	63.87
8	27.72	32.19	17	63.36	67.83
9	31.68	36.15	18	67.32	71.79
10	35.64	40.11	20	75.24	79.71



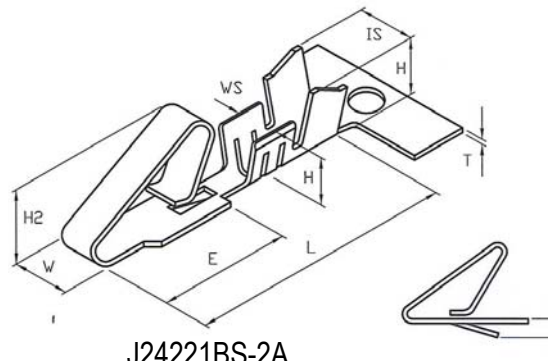
3960-XX



**SPECIFICATIONS**

Current Rating: 5A AC,DC  
Voltage Rating: 250V AC, DC  
Contact Resistance: 10mΩ/max.  
Material: Nylon66, UL94V-2  
Insulation Resistance: 100mΩ/min.  
Withstanding: 1500V AC/minute  
Operating Temp: -25°C ~ +85°C

Dimensions	
Item	DIM (mm)
T	0.25±0.03
L	13.7±0.3
E	6.8±0.25
W	1.8±0.15
W	1:2.7±0.15
IS	3.5±0.25
WS	2.6±0.25
H	3.5±0.25
H1	2.6±0.25
H2	4.5±0.3
t	1.0±0.25



J24221BS-2A

**SPECIFICATIONS**

Material: Brass  
Plating: Tin 40u" Min  
Wire Range: (AWG) 18-24  
Temp Range: -25°C to +85°C

RoHS compliant

Rev.	Description	Date	Approved	Drawing	Name	Date
				Approved	Howard	08/21/08
				Checked	Lizzy	08/21/08
				Drawn	Tina	08/21/08
				0.0 ± 0.35	0.00 ± 0.20	Angles ± 3'
				UNIT: mm		

**Central Components Manufacturing**  
440 Lincoln Blvd., Middlesex, New Jersey 08846  
Phone 732 469-5720 888 288-5152 Fax 732 469-1919

Part No.: **3960-XX / J24221BS-2A**

Description: 3.96mm Wire to Board Housing