

36925 ✓ ACTIVE

SOLISTRAND

TE Internal #: 36925

Ring Terminals & Spade Terminals, Ring Tongue, 00 AWG Wire Size, 67 – 70 mm² Wire Size, 119500 – 150500 CMA Wire Size, Stud Size 1/2 / M12

[View on TE.com >](#)



Terminals & Splices > Ring Terminals & Spade Terminals



Ring & Spade Terminal Type: **Ring Tongue**

Wire Size: 119500 – 150500 CMA

Stud Size: 1/2, M12

Features

Product Type Features

Shape Description	RING-049
Stud Size	1/2, M12
Sealable	No
Wire Insulation Support Retention Type	Non-Insulation Support

Configuration Features

Number of Holes	1
Terminal Angle	180 °

Body Features

Inspection Slot	No
Weight per Piece	28.552 g

Contact Features

Ring & Spade Terminal Type	Ring Tongue
Barrel Type	Closed
Terminal Orientation	Offset
Terminal Plating Material	Tin



Mechanical Attachment

Wire Insulation Support	Without
-------------------------	---------

Dimensions

Wire Size	119500 – 150500 CMA
Stud Diameter	13.08 mm[.515 in]
Tongue Thickness	2.03 mm[.08 in]
Overall Product Length	51.56 mm[2.03 in]
Barrel Inside Diameter	17.6 mm[.693 in]

Usage Conditions

Insulation Option	Uninsulated
Operating Temperature Range	170 °C[338 °F]

Operation/Application

Compatible With Wire Base Material	Copper
Compatible With Wire Plating Material	Tin
Heavy Duty	No

Industry Standards

Government Qualified	No
----------------------	----

Packaging Features

Packaging Quantity	50
Packaging Method	Loose Piece

Product Compliance

[For compliance documentation, visit the product page on TE.com>](#)

EU RoHS Directive 2011/65/EU	Compliant
EU ELV Directive 2000/53/EC	Compliant
China RoHS 2 Directive MIIT Order No 32, 2016	No Restricted Materials Above Threshold
EU REACH Regulation (EC) No. 1907/2006	Current ECHA Candidate List: JUNE 2022 (224) Candidate List Declared Against: JAN 2022 (223) SVHC > Threshold: Not Yet Reviewed
Halogen Content	Low Halogen - Br, Cl, F, I < 900 ppm per homogenous material. Also BFR/CFR/PVC Free

Solder Process Capability

Not applicable for solder process capability

Product Compliance Disclaimer

This information is provided based on reasonable inquiry of our suppliers and represents our current actual knowledge based on the information they provided. This information is subject to change. The part numbers that TE has identified as EU RoHS compliant have a maximum concentration of 0.1% by weight in homogenous materials for lead, hexavalent chromium, mercury, PBB, PBDE, DBP, BBP, DEHP, DIBP, and 0.01% for cadmium, or qualify for an exemption to these limits as defined in the Annexes of Directive 2011/65/EU (RoHS2). Finished electrical and electronic equipment products will be CE marked as required by Directive 2011/65/EU. Components may not be CE marked. Additionally, the part numbers that TE has identified as EU ELV compliant have a maximum concentration of 0.1% by weight in homogenous materials for lead, hexavalent chromium, and mercury, and 0.01% for cadmium, or qualify for an exemption to these limits as defined in the Annexes of Directive 2000/53/EC (ELV). Regarding the REACH Regulation, the information TE provides on SVHC in articles for this part number is based on the latest European Chemicals Agency (ECHA) 'Guidance on requirements for substances in articles' posted at this URL: <https://echa.europa.eu/guidance-documents/guidance-on-reach>

Compatible Parts



TE Part # 1490413-6
HYP10 SOLIS 2/0AWG NEST



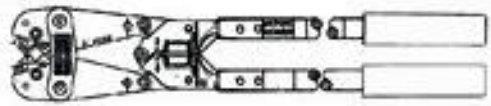
TE Part # 1490414-3
HYP10 SOLIS HD 1/0AWG INDENTER



TE Part # 48131
HYP8 SOLIS 1/0-4/0AWG INDENTER



TE Part # 45439
HYP8/10 SOLIS 2/0AWG DIE SET



TE Part # 600850
ROTO-CRIMP TOOL (ASI)



TE Part # 4-1377172-1
SMP 0-0036925-0



TE Part # 48133
HYP8 SOLIS 2/0AWG NEST

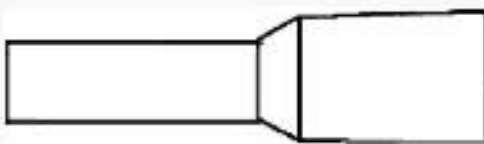
Customers Also Bought



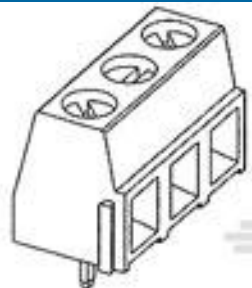
TE Part #539660-1
ADERENDHUELSEN (Ferrule) Crimp Tool



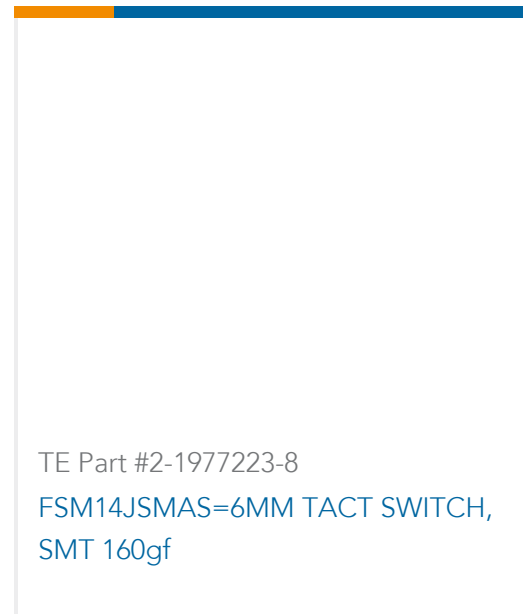
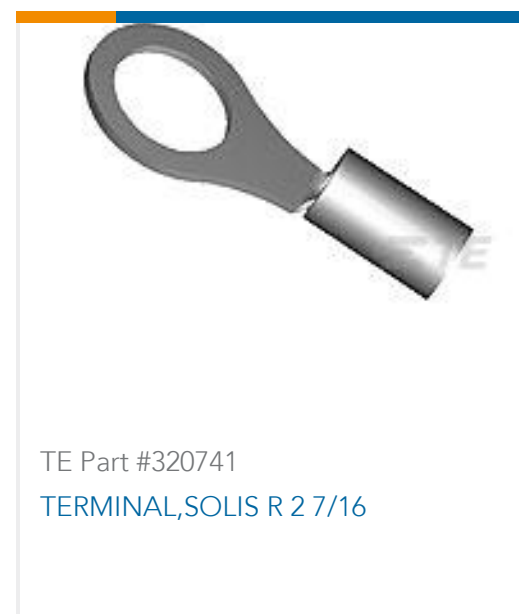
TE Part #35185
TERMINAL,SOLIS R 2 1/2



TE Part #966144-8
DOPPLEIT ADERENDH N



TE Part #282838-3
TERMI-BLOK PCB MOUNT 90 3P.



Documents

Product Drawings

[TERMINAL,SOLIS R 2/0 1/2](#)

English

CAD Files

Customer View Model

[ENG_CVM_CVM_36925_AC.2d_dxf.zip](#)

English

3D PDF

3D

Customer View Model

[ENG_CVM_CVM_36925_AC.3d_igs.zip](#)

English

Customer View Model

[ENG_CVM_CVM_36925_AC.3d_stp.zip](#)

English

By downloading the CAD file I accept and agree to the [Terms and Conditions](#) of use.

Product Environmental Compliance

[MD_36925_07292015923_dmtec](#)

English

[MD_36925_07292015923_dmtec](#)

English

Agency Approvals

[UL Report](#)

English



[UL Report](#)

English