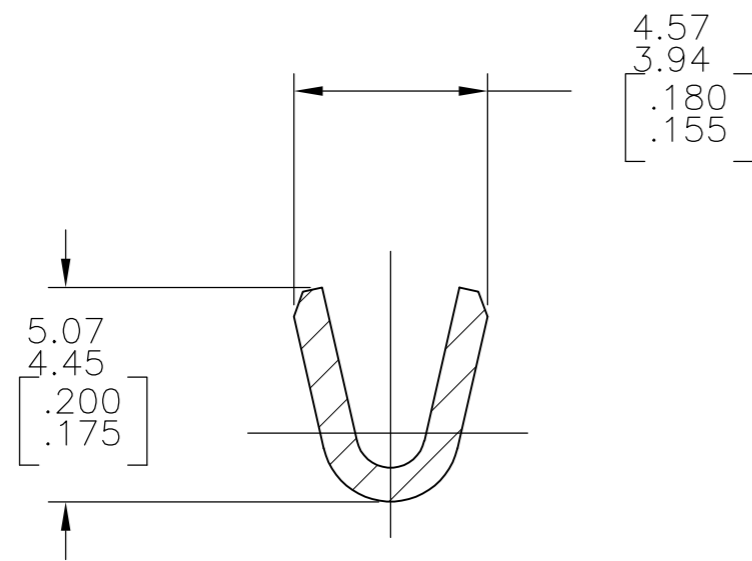
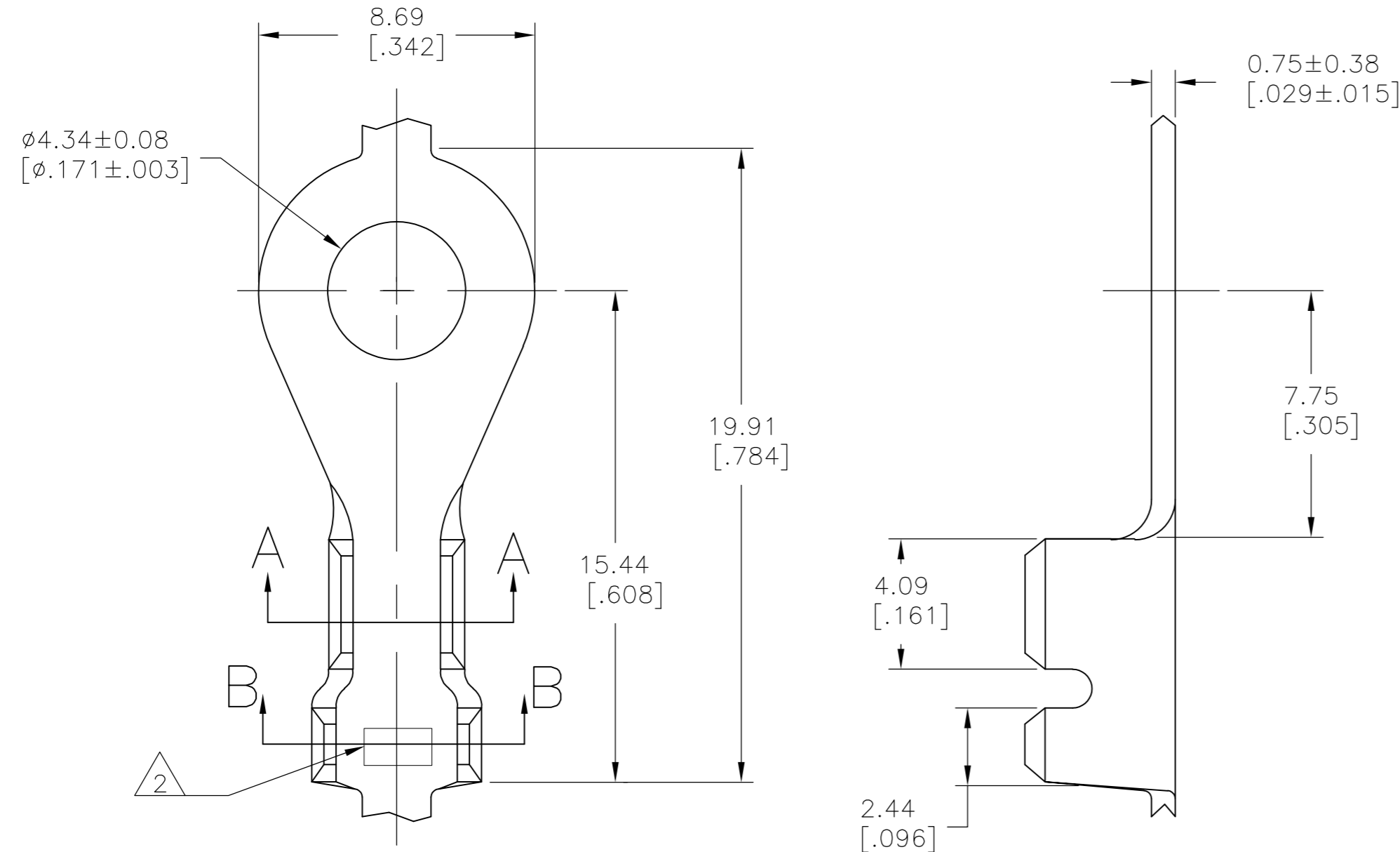
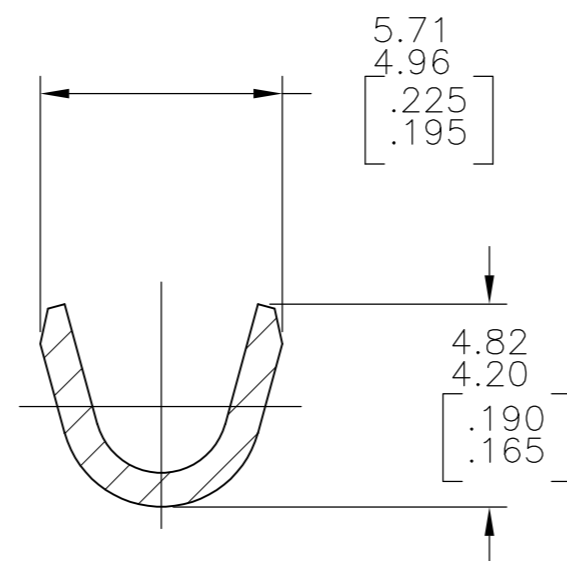


THIS DRAWING IS UNPUBLISHED. RELEASED FOR PUBLICATION
 © COPYRIGHT BY TYCO ELECTRONICS CORPORATION. ALL INTERNATIONAL RIGHTS RESERVED.

LOC	DIST	REVISIONS			
P	LTR	DESCRIPTION	DATE	DWN	APVD
AF	50	AC	REVISED PER ECR-08-008189	24NOV08	HMR DD



SECTION A-A



SECTION B-B

- 1 CONTINUOUS STRIP ON REELS.
- △ 2 AMP STAMP.
- △ 3 TIN PLATING
- △ 4 TIN PLATING OVER COPPER UNDERPLATE.
- △ 5 REDUCED PACKAGE QUANTITY.
- △ 6 PRELIMINARY – NOT FOR PRODUCTION.

△ 5	△ 3	0.8–2.0mm ² [18–14] AWG	2.54–3.56 [.100–.140] DIA	△ 40724–2
	△ 4			△ 40724–1
	△ 3			40724
FINISH		WIRE RANGE	INSULATION RANGE	PART NUMBER

THIS DRAWING IS A CONTROLLED DOCUMENT.		DWN 12FEB2001 MICHAEL S. FEHER	Tyco Electronics Corporation Harrisburg, PA 17105-3608	
DIMENSIONS: mm [INCHES]		CHK 04APR2001 DONALD DECKER	NAME M4 – #8 STUD, TERMINAL, TONGUE, RING	
TOLERANCES UNLESS OTHERWISE SPECIFIED:		APVD 04APR2001 DONALD DECKER	SIZE	CAGE CODE
0 PLC ± -		PRODUCT SPEC	A2	00779
1 PLC ± -		APPLICATION SPEC	SCALE	DRAWING NO
2 PLC ± 0.25[.010]			1:1	C=40724
3 PLC ± -			SHEET	RESTRICTED TO
4 PLC ± -			1 of 1	-
ANGLES ± 1°			REV	AC
MATERIAL 082 BRASS	FINISH SEE TABLE	WEIGHT -	CUSTOMER DRAWING	