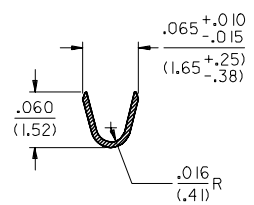
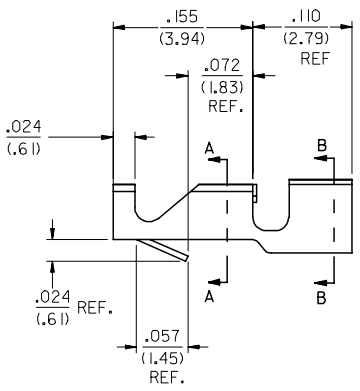


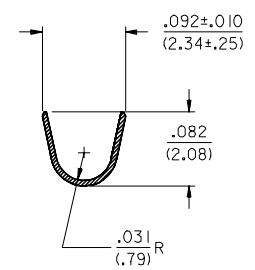
NOTES:

1. MATERIAL: (.015±.01)/.006±.0004 BRASS ALLOY 260
2. TERMINALS CONFORM TO SOLERABILITY SPEC I52
3. TERMINAL FOR USE WITH 22-26 AWG STRANDED WIRE OR 22 AWG SOLID WIRE. INSULATION DIA (1.52)/.060 MAX
4. WIND PER ES-339-B
5. PLATING PER SDES-88  
(909) • OVERALL HOT TIN DIP: .00254 MICROMETERS MIN.
6. RECOMMENDED PC BOARD HOLE SIZE: (1.29±.05) / .051±.002 DIA.
7. RECOMMENDED PC BOARD THICKNESS: (1.57±.20) / .062±.008
8. PRODUCT SPECIFICATION: PS-4706-001
9. ENG. NO. 42001-0004 AVAILABLE IN MOLEX BRAZIL ONLY.

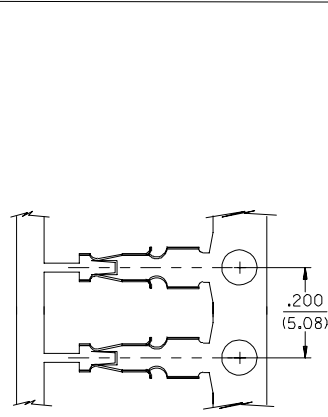
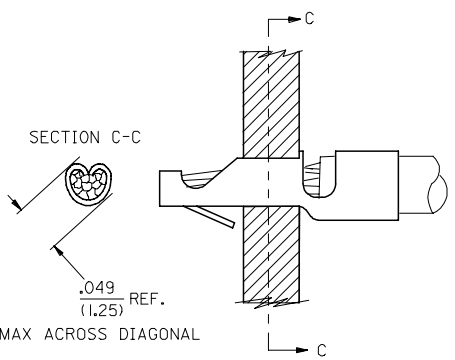
\*THE PRIMARY SHIPPING CARTON WILL BE LABELED \*COMPLIANT TO RoHS DIRECTIVE 2002/95/EC AND ELV ANNEX II OF DIRECTIVE 2000/53/EC.\* CARTONS WITHOUT THIS LABEL MAY CONTAIN PRODUCT WITH TIN-LEAD PLATING.



SECTION A-A



SECTION B-B



EDP NO.	ENG NO.	PLT
040-08-0605	42001-0001	P909
040-02-0601	42001-0002	I22
040-01-0610	42001-0003	999
040-08-0606	42001-0004	P224

SEE NOTE 9

CHANGE TO ME10 EC NO: UCP2005-0966 DRW:ADRATNOL 2004/11/19 CHKD:SAMIEC 2008/11/08/9 APPR:MMRGULIS 2008/11/08/4	QUALITY SYMBOLS 	GENERAL TOLERANCES (UNLESS SPECIFIED)		DIMENSION STYLE IN/MM		SCALE ---	DESIGN UNITS INCH	THIRD ANGLE PROJECTION
		4 PLACES ± --- ± --- 3 PLACES ± --- ± .010 2 PLACES ± 0.38 ± .015 1 PLACE ± --- ± --- ANGULAR ±1/2°	DRAWN BY KSAMIEC DATE 09/09/94	CHECKED BY APATEL DATE 09/09/94	TITLE TERMINAL STRAIN RELIEF (5.08)/2.00 CENTERS			
H1	DRAFT WHERE APPLICABLE MUST REMAIN WITHIN DIMENSIONS	MATERIAL NO. SEE CHART		DOCUMENT NO. SD-42001		SHEET NO. 1 OF 1		
		THIS DRAWING CONTAINS INFORMATION THAT IS PROPRIETARY TO MOLEX INCORPORATED AND SHOULD NOT BE USED WITHOUT WRITTEN PERMISSION						