



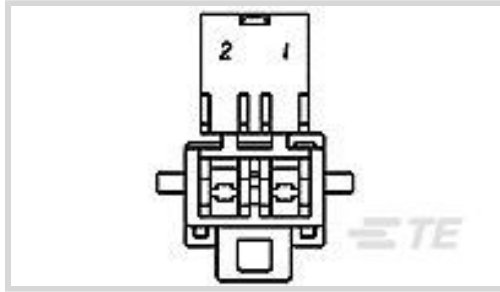
AMP | Timer Connector System

TE Internal #: 365057-1

Housing for Female Terminals, Wire-to-Wire, 2 Position, .244 in [6.2 mm] Centerline, Natural, Signal, Timer Connector System

[View on TE.com >](#)

Connectors > Automotive Connectors > Connector Housings > TIMER, CONNECTOR HOUSING



Connector & Housing Type: **Housing for Female Terminals**

Mating Tab Width: **2.8 mm [.11 in]**

Connector System: **Wire-to-Wire**

Number of Positions: **2**

Centerline (Pitch): **6.2 mm [.244 in]**

[All TIMER, CONNECTOR HOUSING \(543\)](#)

Features

Product Type Features

Connector & Housing Shape	Rectangular
Connector & Housing Type	Housing for Female Terminals
Connector System	Wire-to-Wire
Sealable	No
Hybrid Connector	No
Primary Locking Feature	On the Terminal

Configuration Features

Number of Positions	2
Number of Rows	1

Body Features

Body Material	PA
Primary Product Color	Natural
Connector Code	1

Contact Features

Contact Size	2.8mm
Contact Type	Receptacle
Mating Tab Width	2.8 mm[.11 in]



Mechanical Attachment

Terminal Position Assurance	Yes
Mating Alignment Type	Keyed
Mating Alignment	With
Connector Mounting Type	Cable Mount (Free-Hanging)

Housing Features

Centerline (Pitch)	6.2 mm [.244 in]
--------------------	------------------

Dimensions

Product Length	20.2 mm [.795 in]
Product Height	31.3 mm [1.232 in]
Row-to-Row Spacing	3.4 mm [.134 in]

Operation/Application

Circuit Application	Signal
---------------------	--------

Industry Standards

UL Flammability Rating	UL 94V-2
------------------------	----------

Packaging Features

Packaging Method	Bag
------------------	-----

Other

Serviceable	Yes
Connector Position Assurance Capable	No

Product Compliance

For compliance documentation, visit the product page on [TE.com](https://www.te.com)>

EU RoHS Directive 2011/65/EU	Compliant
EU ELV Directive 2000/53/EC	Compliant
China RoHS 2 Directive MIIT Order No 32, 2016	No Restricted Materials Above Threshold
EU REACH Regulation (EC) No. 1907/2006	Current ECHA Candidate List: JUNE 2022 (224) Candidate List Declared Against: JAN 2022 (223) SVHC > Threshold: Not Yet Reviewed
Halogen Content	Low Halogen - Br, Cl, F, I < 900 ppm per homogenous material. Also BFR/CFR/PVC

Free

Solder Process Capability

Not applicable for solder process capability

Product Compliance Disclaimer

This information is provided based on reasonable inquiry of our suppliers and represents our current actual knowledge based on the information they provided. This information is subject to change. The part numbers that TE has identified as EU RoHS compliant have a maximum concentration of 0.1% by weight in homogenous materials for lead, hexavalent chromium, mercury, PBB, PBDE, DBP, BBP, DEHP, DIBP, and 0.01% for cadmium, or qualify for an exemption to these limits as defined in the Annexes of Directive 2011/65/EU (RoHS2). Finished electrical and electronic equipment products will be CE marked as required by Directive 2011/65/EU. Components may not be CE marked. Additionally, the part numbers that TE has identified as EU ELV compliant have a maximum concentration of 0.1% by weight in homogenous materials for lead, hexavalent chromium, and mercury, and 0.01% for cadmium, or qualify for an exemption to these limits as defined in the Annexes of Directive 2000/53/EC (ELV). Regarding the REACH Regulation, the information TE provides on SVHC in articles for this part number is based on the latest European Chemicals Agency (ECHA) 'Guidance on requirements for substances in articles' posted at this URL: <https://echa.europa.eu/guidance-documents/guidance-on-reach>

Compatible Parts



TE Part # CAT-T4827-CH8172
TIMER, CONNECTOR HOUSING



TE Part # 928930-5
FF 110 TAB 0.5-1 MM2 .080 F PTP CUZN30



TE Part # 928781-5
FF 110 TAB 1.0-2.5 MM2 PTP CUSN4



TE Part # 963961-2
FF 110 TAB 0.2-0.5MM2 .070 F PTP CUZN30



TE Part # 928930-1
FF 110 TAB 0.5-1 MM2 .080 F SSP CUZN30



TE Part # 928781-2
FF 110 TAB 1.0-2.5 MM2 PTP CUZN30



TE Part # 928930-2
FF 110 TAB 0.5-1 MM2 .080 F PTP CUZN30



TE Part # 928930-4
FF 110 TAB 0.5-1 MM2 .080 F SGP CUZN30

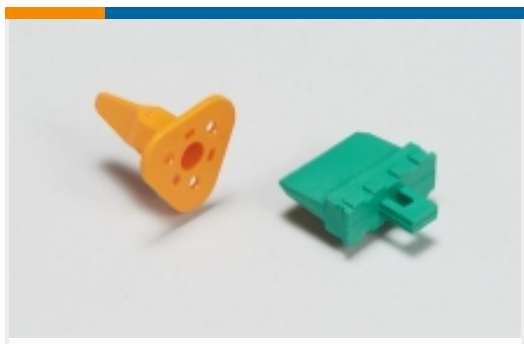


TE Part # 928930-3
FF 110 TAB 0.5-1 MM2 .080 F PLAIN CUZN30

Also in the Series | **Timer Connector System**



Automotive Connector Caps & Covers (11)



Automotive Connector Locks & Position Assurance(16)



Automotive Housings(219)



Automotive Seals & Cavity Plugs(31)



Automotive Terminals(140)



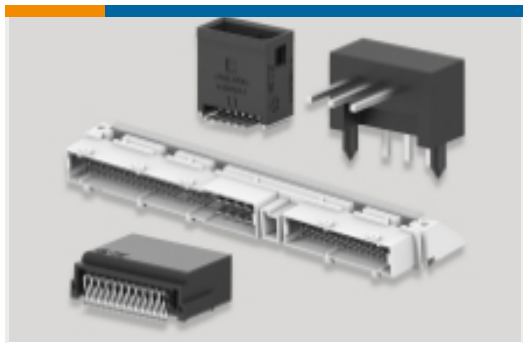
Crimp Terminal Housings(13)



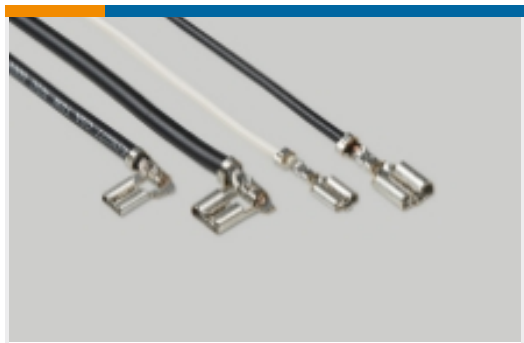
Insertion & Extraction Tools(20)



Other Automotive Connector Accessories(1)



PCB Headers & Receptacles(78)



Quick Disconnects(4)

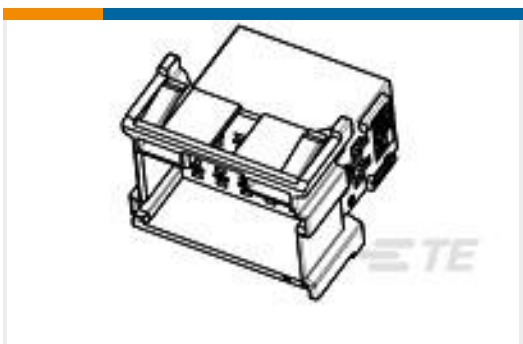
Customers Also Bought



TE Part #41482
250 FASTON TAB TPBR



TE Part #1-965640-1
JUN-POW-TIM GEH 6P



TE Part #1-967628-1
FLA-ST-GEH 2.8 15P



TE Part #1-1703808-1
4POS,TAB 2.8X0.8,TAB HSG,ASSY,



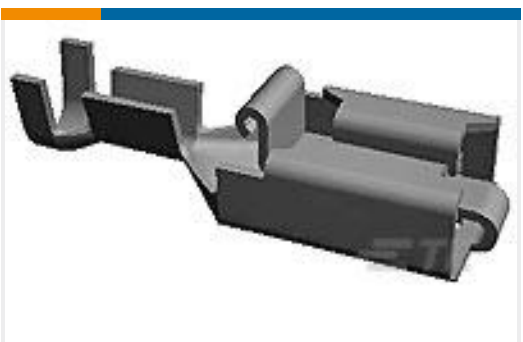
TE Part #964269-5
TAB A 1.6x0.6 CONTACT CF SWS Ag



TE Part #1623729-2
BCHE 17 W 10K 5%



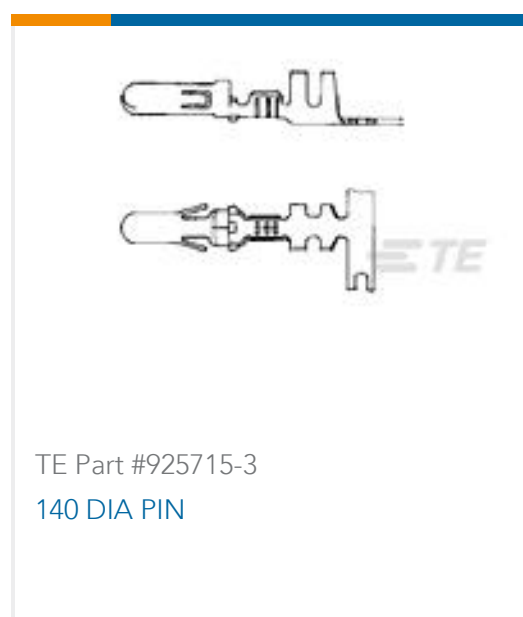
TE Part #928931-2
FF 110 (2.8 X 0.8 MM) TAB PTP
CUZN30



TE Part #1-160759-1
250 PL MKI REC. 20-15AWG PTBR



TE Part #1-963746-1
SPECIAL TERMINAL 17-13 AWG PTPB
LP



TE Part #925715-3
140 DIA PIN

Documents

Product Drawings

[2P TAB HSG NAT](#)

English

CAD Files

[3D PDF](#)

English

Customer View Model

[ENG_CVM_365057-1_E.2d_dxf.zip](#)

English

Customer View Model

[ENG_CVM_365057-1_E.3d_igs.zip](#)

English

Customer View Model

[ENG_CVM_365057-1_E.3d_stp.zip](#)

English

By downloading the CAD file I accept and agree to the [Terms and Conditions](#) of use.

Datasheets & Catalog Pages

[Timer Interconnection System](#)

English