

B**2.00 to 2.50mm (.079 to .098") Pitch****FEATURES AND SPECIFICATIONS****Features and Benefits**

- Sizes 2 to 15 and 20 circuits
- Positive locking ribs provide secure mating retention
- Four-wall shroud with guide plate protects pins and facilitates mating
- Compact low-profile design for space savings
- Polarizing end walls prevent mismatching
- Five color choices for circuit identification

Reference Information

Product Specification: PS-35507
 Packaging: Bag
 UL File No.: E29179
 CSA File No.: LR19980
 Mates With: [35507](#) housing
 Designed In: Millimeters

Electrical

Voltage: 125V
 Current: 2.0A
 Contact Resistance: 20mΩ max.
 Dielectric Withstanding Voltage: 500V
 Insulation Resistance: 1000 MΩ min.

Mechanical

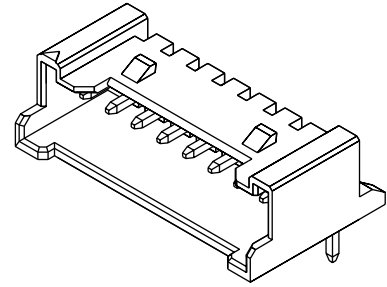
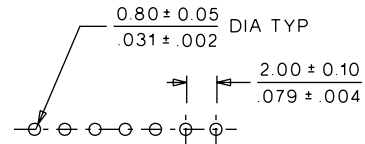
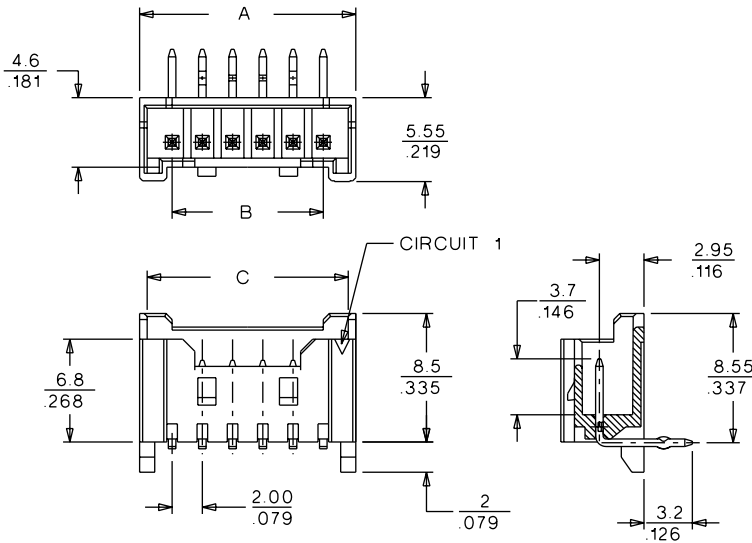
Mating Force: 5 circuits—58.8N (13.2 lb)
 Unmating Force: 5 circuits—3.3N (0.7 lb)
 Durability: 30 cycles

Physical

Housing: Polyamide, UL 94V-0
 Contact: Brass
 Plating: Tin/Lead
 Operating Temperature: -40 to +105°C

molex® **2.00mm (.079") Pitch**
Sherlock™
Wire-to-Board
Header

35363
Right Angle

**CATALOG DRAWING (FOR REFERENCE ONLY)**

PCB LAYOUT: COMPONENT SIDE

RECOMMENDED PCB THICKNESS : 1.60 ± 0.10 / .063 ± .004

ORDERING INFORMATION AND DIMENSIONS

Circuits	Order No.	Dimension		
		A	B	C
2	35363-0210	7.70 (.303)	2.00 (.079)	5.30 (.209)
3	35363-0310	9.70 (.382)	4.00 (.157)	7.30 (.287)
4	35363-0410	10.30 (.406)	6.00 (.236)	9.30 (.366)
5	35363-0510	12.30 (.484)	8.00 (.315)	11.30 (.445)
6	35363-0610	14.30 (.563)	10.00 (.394)	13.30 (.524)
7	35363-0710	16.30 (.642)	12.00 (.472)	15.30 (.602)
8	35363-0810	18.30 (.720)	14.00 (.551)	17.30 (.681)
9	35363-0910	20.30 (.799)	16.00 (.630)	19.30 (.760)
10	35363-1010	22.30 (.878)	18.00 (.709)	21.30 (.839)
11	35363-1110	24.30 (.957)	20.00 (.787)	23.30 (.917)
12	35363-1210	26.30 (1.035)	22.00 (.866)	25.30 (.996)
13	35363-1310	28.30 (1.114)	24.00 (.945)	27.30 (1.075)
14	35363-1410	30.30 (1.193)	26.00 (1.024)	29.30 (1.154)
15	35363-1510	32.30 (1.271)	28.00 (1.102)	31.30 (1.232)
20	35363-2010	42.30 (1.665)	38.00 (1.496)	41.30 (1.626)

DO NOT SCALE DRAWING DIMENSION IN METRIC

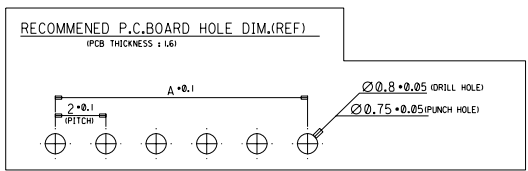
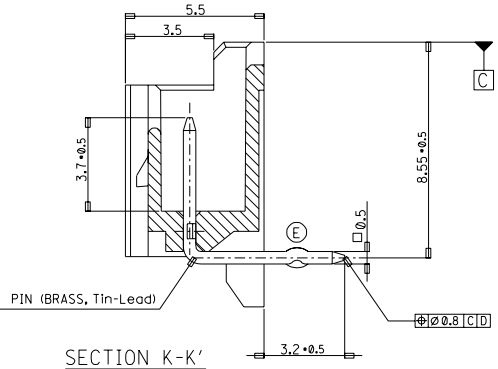
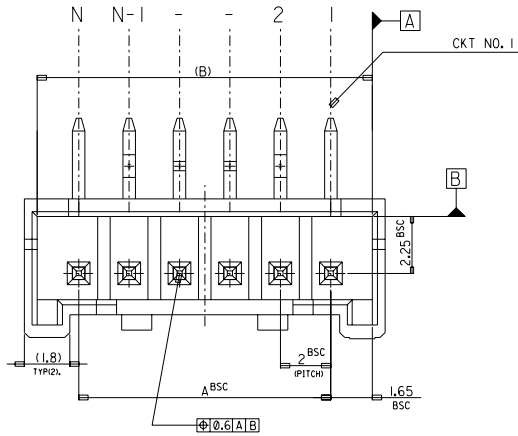
DWG. NO. SD-35363-001

SIMILAR ITEM

PROJECT NO.

C

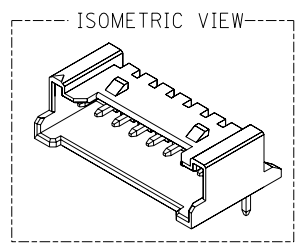
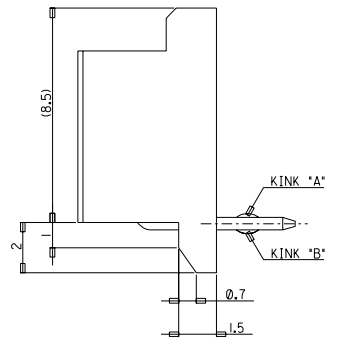
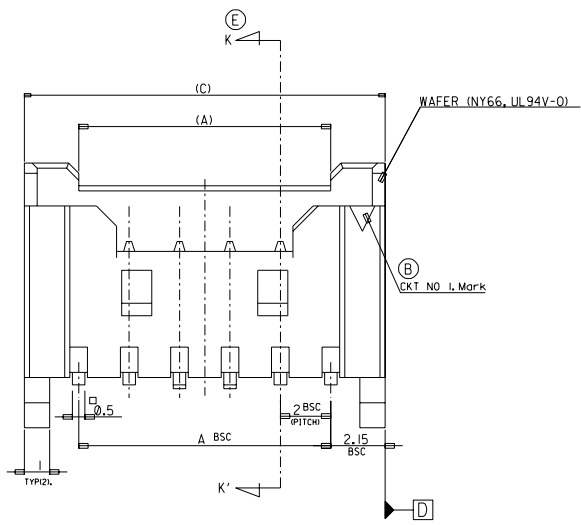
B



LEGEND

SD-35363-**-** | * COLOR

- 0 : NATURAL
- 1 : BLACK
- 2 : RED
- 3 : YELLOW
- 4 : BLUE
- 5 : GREEN



32.3	31.3	28	-15 *	15
30.3	29.3	26	-14 *	14
28.3	27.3	24	-13 *	13
26.3	25.3	22	-12 *	12
24.3	23.3	20	-11 *	11
22.3	21.3	18	-10 *	10
20.3	19.3	16	-09 *	9
18.3	17.3	14	-08 *	8
16.3	15.3	12	-07 *	7
14.3	13.3	10	-06 *	6
12.3	12.3	8	-05 *	5
10.3	9.3	6	35363-04 *	4
(C)	(B)	A	ENG. NO.	CKT

NOTES

- MATING HOUSING : 35507-**-*
- MATING TERMINAL : 50212-8000
- KINK

CKT NO	1	2	3	4	5	N-2	N-1	N
6 CKT OVER	-	A	B	-	-	B	A	-
5 CKT	A	B	-	B	A			
4 CKT	A	B	B	A				

3. PRODUCT SPECIFICATION NO : PS-35507-001

30 over	±0.3
10 over 30 under	±0.25
10 under	±0.2
ANGLE	±3°
GENERAL TOLERANCE	F

REVISED
(Changed KINK Direction)
EC NO. KOR-2003-0252
DRWN: YSOOKIM 03/05/10
CHK: YSIKKIM
APPR: CWLEE

QUALITY SYMBOLS
MAJOR
CRITICAL

GENERAL TOLERANCES:
(UNLESS SPECIFIED)

4 PLACES	±0.	±.
3 PLACES	±0.	±.
2 PLACES	±0.	±.
1 PLACE	±0.	±.

ANGULAR: ±

DRAFT WHERE APPLICABLE MUST REMAIN WITHIN DIMENSIONS

SCALE 1 : 1
DESIGN UNITS mm INCH
DRAWN BY & DATE YSOOKIM 96/09/11
CHECKED BY & DATE J.K.Oh 96/09/11
APPROVED BY & DATE C.W.Lee 96/09/11
CAD FILENAME SD-35363-001-1.DGN

DIMENSIONS: mm INCH mm ONLY

SHT REV
REVISE ON CAD ONLY

TITLE: NEW 2.0 W/B CONN WAFER ASSY (RA)

MOLEX INCORPORATED

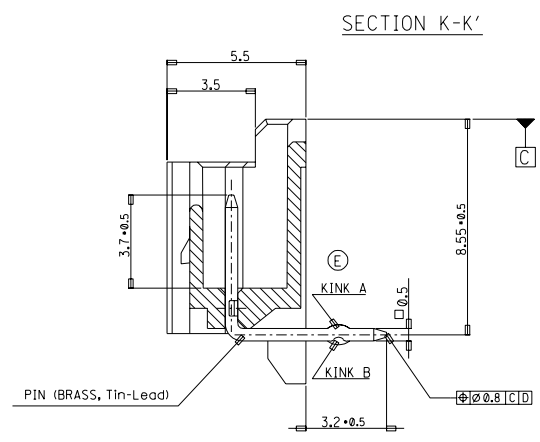
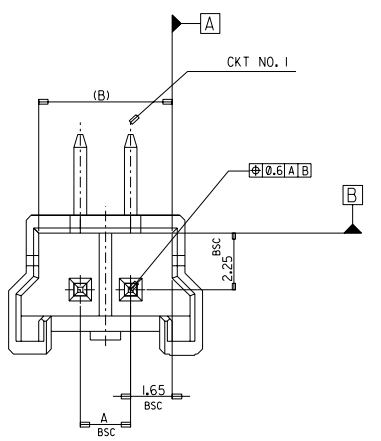
CAD FILENAME: SD-35363-001-1.DGN
MATERIAL NO.
DRAWING NO. SD-35363-001
SHEET NO. 1 OF 3

THIS DRAWING CONTAINS INFORMATION THAT IS PROPRIETARY TO MOLEX INCORPORATED AND SHOULD NOT BE USED WITHOUT WRITTEN PERMISSION.

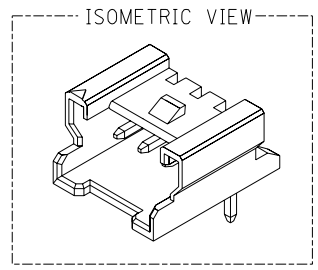
SIZE B

DWG. NO. SD-35363-001
 PROJECT NO. SD-35363-001
 SIMILAR ITEM
 DO NOT SCALE DRAWING DIMENSION IN METRIC

8 7 6 5 4 3 2 1
 F
 E
 D
 C
 B
 A

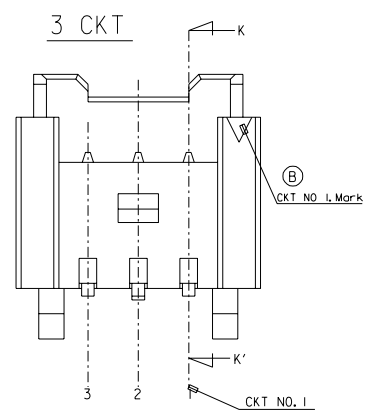
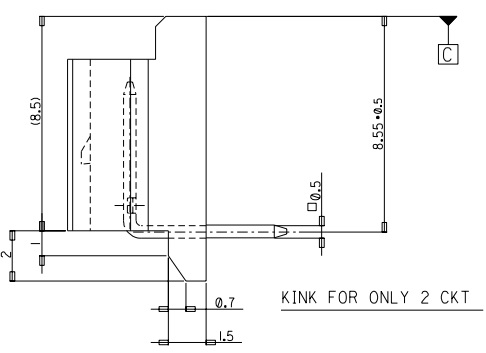
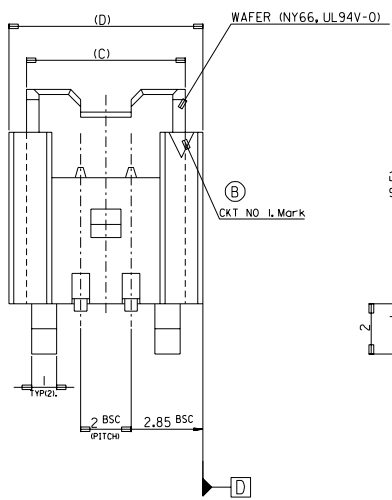


FOR 2 & 3 CKTS.



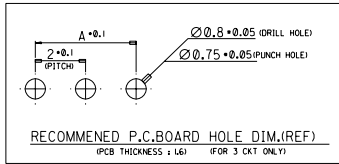
© LEGEND

SD-35363-***	*	COLOR	0 : NATURAL
CKT NO.			1 : BLACK
			2 : RED
			3 : YELLOW
			4 : BLUE
			5 : GREEN



- NOTES
- MATING HOUSING : 35507-**-0*
 - MATING TERMINAL : 50212-8000
 - KINK
- | | | | |
|--------|------|------|---|
| CKT NO | 1 | 2 | 3 |
| 2 CKT | NONE | KINK | |
| 3 CKT | A | B | A |
3. PRODUCT SPECIFICATION NO : PS-35507-001

9.7	8.3	7.3	4	-031*	3
7.7	6.3	5.3	2	35363-021*	2
(D)	(C)	(B)	A	ENG. NO.	CKT



30 over	±0.3
10 over 30 under	±0.25
10 under	±0.2
ANGLE	±3°
GENERAL TOLERANCE	F

REVISED KINK Direction (Changed EC NO. KOR-2003-0252 EC NO. KOR-2003-0252 DRAWN: YSOOKIM 03/05/10 CHK: YSIKKIM APPR: CWLEE	DESCRIPTION
MAJOR	QUALITY SYMBOLS
CRITICAL	

GENERAL TOLERANCES: (UNLESS SPECIFIED)	SCALE 1:1	DESIGN UNITS	THIRD ANGLE PROJECTION
mm INCH	mm INCH	mm ONLY	
4 PLACES ±0. ±.			
3 PLACES ±0. ±.			
2 PLACES ±0. ±.			
1 PLACE ±0. ±.			
ANGULAR: ±			
DRAFT WHERE APPLICABLE MUST REMAIN WITHIN DIMENSIONS			

DRAWN BY & DATE YSOOKIM 96/09/11	CHECKED BY & DATE J.K.Oh 96/09/11	APPROVED BY & DATE C.W.Lee 96/09/11
CAD FILENAME SD-35363-001-2.DGN	MATERIAL NO.	DRAWING NO. SD-35363-001

TITLE: NEW 2.0 W/B CONN WAFER ASSY (RA)	MOLEX INCORPORATED	SHT 2 OF 3	REV CAD ONLY
THIS DRAWING CONTAINS INFORMATION THAT IS PROPRIETARY TO MOLEX INCORPORATED AND SHOULD NOT BE USED WITHOUT WRITTEN PERMISSION.		SIZE B	

DWG. NO. SD-35363-001

SIMILAR ITEM

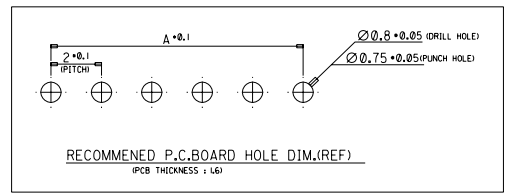
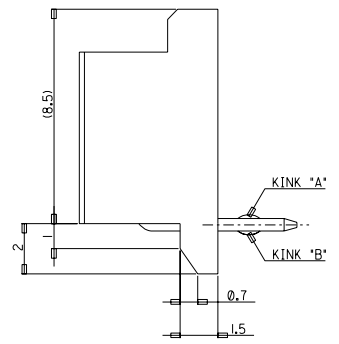
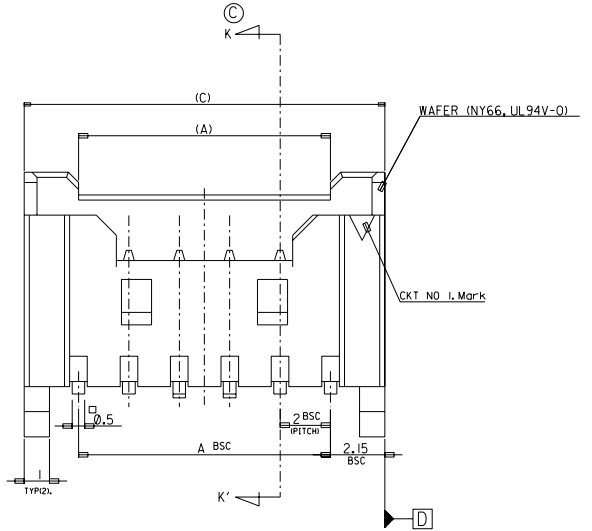
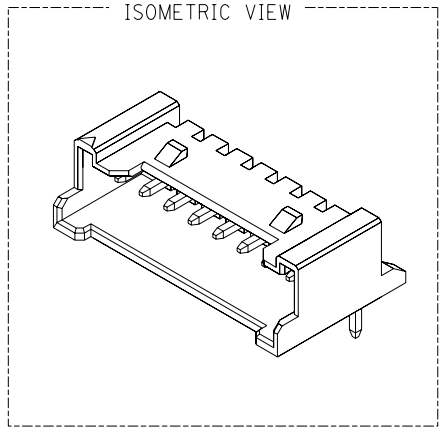
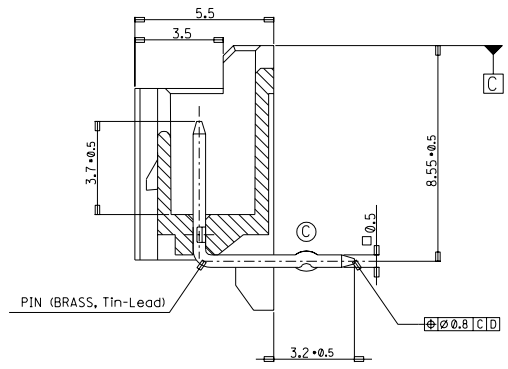
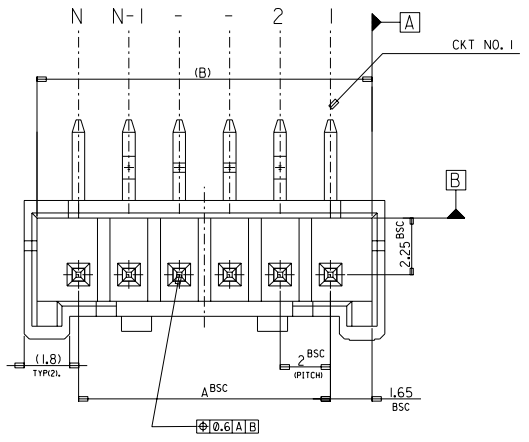
PROJECT NO.

C

B

DO NOT SCALE DRAWING DIMENSION IN METRIC

8 7 6 5 4 3 2 1



LEGEND

SD-35363-***I * COLOR

- Ø : NATURAL
- 1 : BLACK
- 2 : RED
- 3 : YELLOW
- 4 : BLUE
- 5 : GREEN

42.3	41.3	38	35363-201*	20
(C)	(B)	A	ENG. NO.	CKT

NOTES

- MATING HOUSING : 35507-***0*
MATING TERMINAL : 50212-8000
- KINK

CKT NO	1	2	3	4	N-3	N-2	N-1	N
20	-	A	B	-	-	B	A	-

3. PRODUCT SPECIFICATION NO : PS-35507-001

30 over	±0.3
10 over 30 under	±0.25
10 under	±0.2
ANGLE	±3°
GENERAL TOLERANCE	C

REVISED KINK Direction
 IEC NO. KOR-2003-0252
 DRWN: YSOOKIM 03/05/10
 CHK: YSIKKIM
 APPR: CWLEE

QUALITY SYMBOLS
 MAJOR =
 CRITICAL =

GENERAL TOLERANCES: (UNLESS SPECIFIED)

	mm	INCH
4 PLACES	±0.	±.
3 PLACES	±0.	±.
2 PLACES	±0.	±.
1 PLACE	±0.	±.

ANGULAR: ±

DRAFT WHERE APPLICABLE MUST REMAIN WITHIN DIMENSIONS

SCALE 1:1
 DESIGN UNITS mm INCH
 THIRD ANGLE PROJECTION DIMENSIONS: mm INCH mm ONLY
 DRAWN BY & DATE: YSOOKIM 98/04/23
 CHECKED BY & DATE: J.K.Oh 98/04/23
 APPROVED BY & DATE: C.W.Lee 98/04/23
 CAD FILENAME: SD-35363-001-I.DGN

TITLE: NEW 2.0 W/B CONN
 WAFER ASSY (RA)

MOLEX INCORPORATED

MATERIAL NO. DRAWING NO. SD-35363-001 SHEET NO. 3 OF 3

THIS DRAWING CONTAINS INFORMATION THAT IS PROPRIETARY TO MOLEX INCORPORATED AND SHOULD NOT BE USED WITHOUT WRITTEN PERMISSION.

SIZE B

8 7 6 5 4 3 2 1 MX-A3