

# 40990-1 ✓ ACTIVE

TE Internal #: 40990-1

Quick Disconnects, Tab, 20 – 16 AWG Wire Size, .51 – 1.31 mm<sup>2</sup> Wire Size, Mating Tab Width .125 in [3.18 mm], Straight, Steel, Tin Plating, Strip/Reel

[View on TE.com >](#)



Terminals & Splices > Quick Disconnects



Quick Disconnect Terminal Type: **Tab**

Wire Size: **.51 – 1.31 mm<sup>2</sup>**

Mating Tab Width: **3.18 mm [ .125 in ]**

Terminal Orientation: **Straight**

## Features

### Product Type Features

Terminates To	Wire & Cable
Wire Stop	No
Wire/Cable Type	Regular Wire
Sealable	No

### Contact Features

Quick Disconnect Terminal Type	Tab
Mating Tab Width	3.18 mm [.125 in]
Terminal Orientation	Straight
Contact Base Material	Steel
Terminal Plating Material	Tin
Crimp Type	F-Crimp
Barrel Type	Open

### Mechanical Attachment

Mating Retention Type	Dimple
Wire Insulation Support	With



### Dimensions

Accepts Wire Insulation Diameter Range	2.29 – 3.3 mm [.09 – .13 in]
Overall Length	9.27 mm [.365 in]
Receptacle Terminal Stock Thickness	.51 mm [.02 in]
Wire Size	.51 – 1.31 mm <sup>2</sup>

### Usage Conditions

Insulation Option	Uninsulated
Operating Temperature Range	-40 – 250 °C [-40 – 482 °F]

### Industry Standards

UL Rating	Listed
-----------	--------

### Packaging Features

Packaging Quantity	20000
Packaging Method	Strip/Reel

### Product Compliance

[For compliance documentation, visit the product page on TE.com>](#)

EU RoHS Directive 2011/65/EU	Compliant
EU ELV Directive 2000/53/EC	Compliant
China RoHS 2 Directive MIIT Order No 32, 2016	No Restricted Materials Above Threshold
EU REACH Regulation (EC) No. 1907/2006	Current ECHA Candidate List: JUNE 2022 (224) Candidate List Declared Against: JAN 2022 (223) SVHC > Threshold: Not Yet Reviewed
Halogen Content	Low Halogen - Br, Cl, F, I < 900 ppm per homogenous material. Also BFR/CFR/PVC Free
Solder Process Capability	Not applicable for solder process capability

#### Product Compliance Disclaimer

This information is provided based on reasonable inquiry of our suppliers and represents our current actual knowledge based on the information they provided. This information is subject to change. The part numbers that TE has identified as EU RoHS compliant have a maximum concentration of 0.1% by weight in homogenous materials for lead, hexavalent chromium, mercury, PBB, PBDE, DBP, BBP, DEHP, DIBP, and 0.01% for cadmium, or qualify for an exemption to these limits as defined in the Annexes of Directive 2011/65/EU (RoHS2). Finished electrical and electronic equipment products will be CE marked as required by Directive 2011/65/EU. Components may not be CE marked. Additionally, the part numbers that TE has identified as EU ELV compliant have a maximum concentration of 0.1% by weight in homogenous materials for lead, hexavalent chromium, and mercury, and 0.01% for cadmium, or qualify for an exemption to these limits as defined in the Annexes of Directive 2000/53/EC (ELV). Regarding the REACH Regulation, the information TE provides

on SVHC in articles for this part number is based on the latest European Chemicals Agency (ECHA) 'Guidance on requirements for substances in articles' posted at this URL: <https://echa.europa.eu/guidance-documents/guidance-on-reach>

## Compatible Parts



TE Part # 61148-1  
 BRUSH HOLDER AMPLIVAR 22-17  
 AWG PHBZ



TE Part # 63701-1  
 WELD TAB 20-16 AWG NPSTL



TE Part # 1-150504-2  
 BUTTON CONTACT 20-16 .0158 X .  
 625 TPBR



TE Part # 63257-1  
 CONTACT TERMINAL 22-18 AWG  
 TPBR



TE Part # 63257-2  
 CONTACT TERMINAL 22-18 AWG  
 TPBR



TE Part # 170023-1  
 BUTTON CONTACT



TE Part # 2-2150771-1  
 OCEAN\_2.0\_Applicator-E-110F140F



TE Part # 2-2150771-2  
 OCEAN\_2.0\_Applicator-E-110F140FA



TE Part # 2150771-1  
 OCEAN\_2.0\_Applicator-E-110F140F



TE Part # 2150771-2  
 OCEAN\_2.0\_Applicator-E-110F140FA



TE Part # 62153-1  
 WELD TAB 20-16 AWG TPSTL



TE Part # 7-2150771-1  
 OCEAN\_2.0\_Applicator-E-110F140F



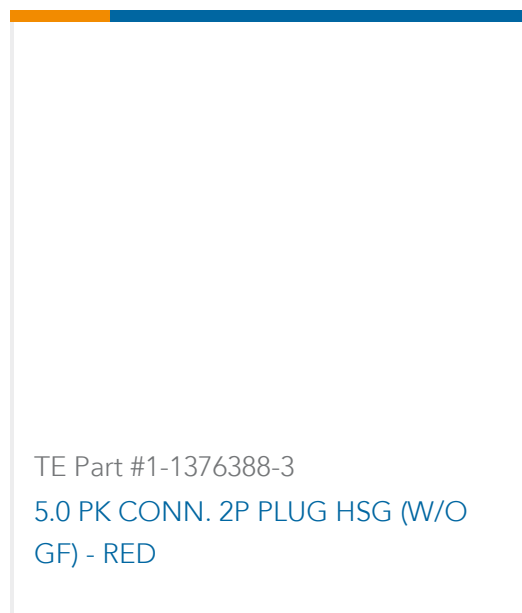
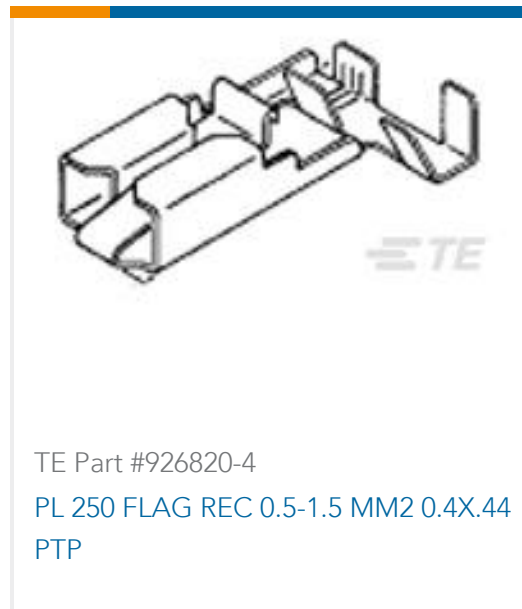
TE Part # 7-2150771-2  
 OCEAN\_2.0\_Applicator-E-110F140FA



**KIT**  
 REPRESENTATION ONLY

TE Part # 7-2150771-7  
 OCEAN\_2.0\_SPARE\_PART\_KIT-  
 110F140F

## Customers Also Bought



## Documents

### Product Drawings

[WELD TAB TAB 20-16 AWG TPSTL](#)

English

### CAD Files

[3D PDF](#)

3D

Customer View Model

[ENG\\_CVM\\_CVM\\_40990-1\\_BC.2d\\_dxf.zip](#)

English

Customer View Model

[ENG\\_CVM\\_CVM\\_40990-1\\_BC.3d\\_igs.zip](#)

English

Customer View Model

[ENG\\_CVM\\_CVM\\_40990-1\\_BC.3d\\_stp.zip](#)

English

By downloading the CAD file I accept and agree to the [Terms and Conditions](#) of use.

## Product Specifications



[Application Specification](#)

English

[Carbon Brush Contact](#)

English

---

[Product Environmental Compliance](#)

[TE Material Declaration](#)

English