

42745-2 ✓ ACTIVE

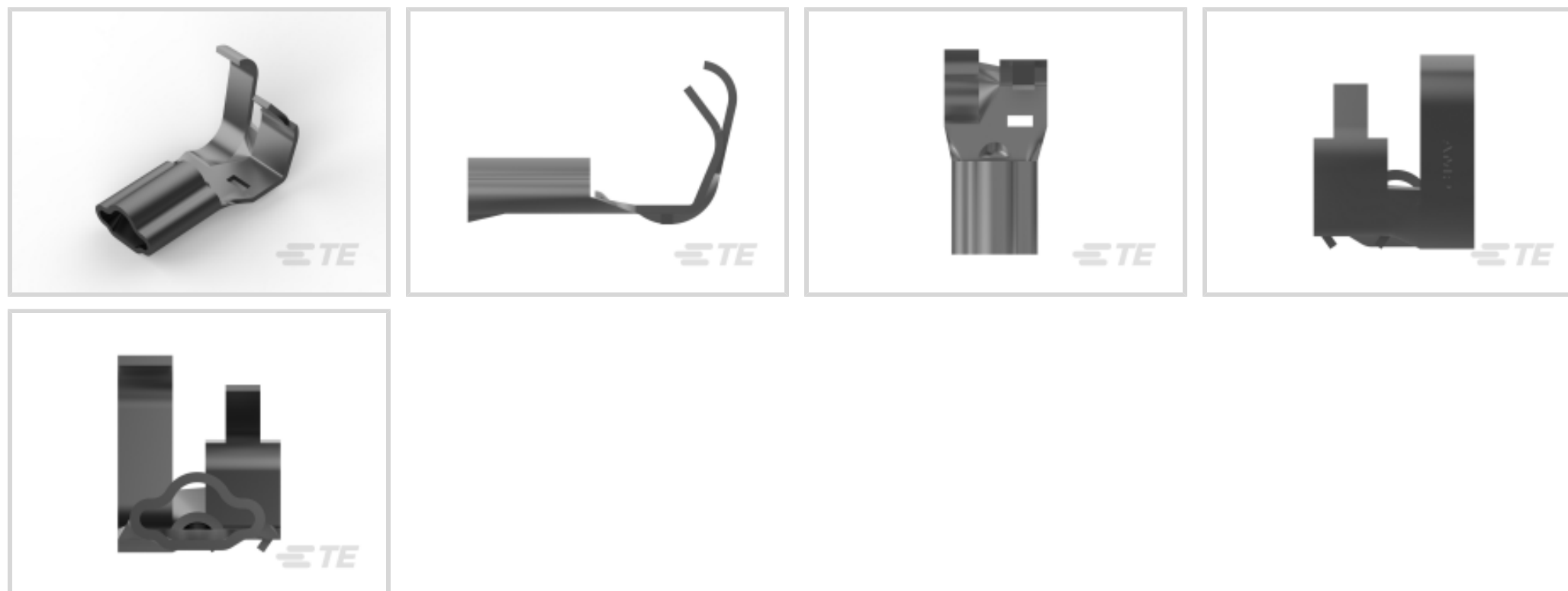
TE Internal #: 42745-2

Crimp Wire Pins, Tabs & Ferrules, Receptacle, Pin Diameter 2.28 mm [.09 in], 20 – 14 AWG Wire Size, .5 – 2.27 mm² Wire Size, 1021 – 4106 CMA Wire Size

[View on TE.com >](#)



Terminals & Splices > Crimp Wire Pins, Tabs & Ferrules



Crimp Wire Pin, Tab & Ferrule Terminal Type: **Receptacle**

Pin Diameter: **2.28 mm [.09 in]**

Accepts Wire Insulation Diameter Range: **3.05 – 4.32 mm, 4.32 mm [.12 – .17 in, .17 in]**

Wire Size: **.5 – 2.27 mm²**

Features

Product Type Features

Compatible With Discrete Wire Type

Solid, Stranded

Configuration Features

Compatible With Wire & Cable Type

Discrete Wire

Contact Features

Crimp Wire Pin, Tab & Ferrule Terminal Type

Receptacle

Barrel Type

Open

Terminal Plating Material

Tin

Terminal Orientation

Flag

Mechanical Attachment

Wire Insulation Support

With

Dimensions

Pin Diameter

2.28 mm [.09 in]

Accepts Wire Insulation Diameter Range

3.05 – 4.32 mm, 4.32 mm [.12 – .17 in][.17 in]

Wire Size

1021 – 4106 CMA

Terminal Material Thickness

.46 mm [.018 in]

Overall Product Length	13.97 mm[.55 in]
------------------------	------------------

Usage Conditions

Insulation Option	Uninsulated
Operating Temperature Range	-40 – 85 °C[-40 – 185 °F]

Operation/Application

Heavy Duty	No
------------	----

Packaging Features

Packaging Quantity	5000
Packaging Method	Reel

Product Compliance

[For compliance documentation, visit the product page on TE.com>](#)

EU RoHS Directive 2011/65/EU	Compliant
EU ELV Directive 2000/53/EC	Compliant
China RoHS 2 Directive MIIT Order No 32, 2016	No Restricted Materials Above Threshold
EU REACH Regulation (EC) No. 1907/2006	Current ECHA Candidate List: JUNE 2022 (224) Candidate List Declared Against: JAN 2022 (223) SVHC > Threshold: Not Yet Reviewed
Halogen Content	Low Halogen - Br, Cl, F, I < 900 ppm per homogenous material. Also BFR/CFR/PVC Free
Solder Process Capability	Not applicable for solder process capability

Product Compliance Disclaimer

This information is provided based on reasonable inquiry of our suppliers and represents our current actual knowledge based on the information they provided. This information is subject to change. The part numbers that TE has identified as EU RoHS compliant have a maximum concentration of 0.1% by weight in homogenous materials for lead, hexavalent chromium, mercury, PBB, PBDE, DBP, BBP, DEHP, DIBP, and 0.01% for cadmium, or qualify for an exemption to these limits as defined in the Annexes of Directive 2011/65/EU (RoHS2). Finished electrical and electronic equipment products will be CE marked as required by Directive 2011/65/EU. Components may not be CE marked. Additionally, the part numbers that TE has identified as EU ELV compliant have a maximum concentration of 0.1% by weight in homogenous materials for lead, hexavalent chromium, and mercury, and 0.01% for cadmium, or qualify for an exemption to these limits as defined in the Annexes of Directive 2000/53/EC (ELV). Regarding the REACH Regulation, the information TE provides on SVHC in articles for this part number is based on the latest European Chemicals Agency (ECHA) 'Guidance on requirements for substances in articles' posted at this URL: <https://echa.europa.eu/guidance-documents/guidance-on-reach>

Compatible Parts




TE Part # 41854
PIN 093 (2.36 MM) REC 22-18 AWG TPBR



TE Part # 42428-5
PIN TERMINAL RECEPTACLE 24-20 AWG TPPHBZ



TE Part # 140712-2
PIN .155 DIA REC 18-14 AWG TPBR



TE Part # 344469-2
ANGLE PIN RECEPTACLE 20-16 AWG PHBRZ



TE Part # 1742350-1
PIN 2.08 DIA 22-18AWG TPBR



TE Part # 154740-1
PIN .175 DIA REC 20-16AWG PB



TE Part # 60885-2
PIN .055 REC 24-20 AWG TPPHBZ



TE Part # 60376-1
PIN 090 RECEPTACLE 20-14 AWG TPPHBZ



TE Part # 60733-1
PIN .090 RECEPTACLE TPPHBZ



TE Part # 150656-1
SHUR PLUG .156 DIA REC 20-16 AWG PB



TE Part # 140712-1
TERMINAL SOCKET DIA 4 AWG 14 18 BLANK



TE Part # 160783-6
2,0 MM.DIA PIN REC



TE Part # 687390-5
M HBEAPR140T140OK

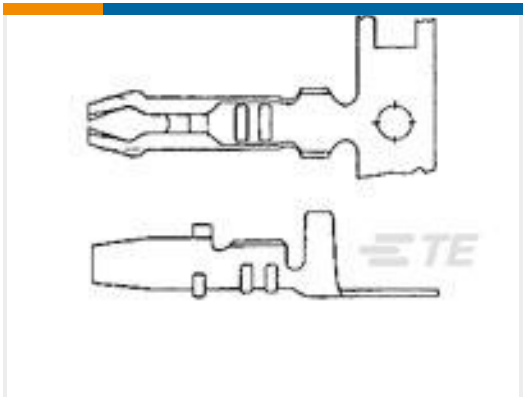
Customers Also Bought



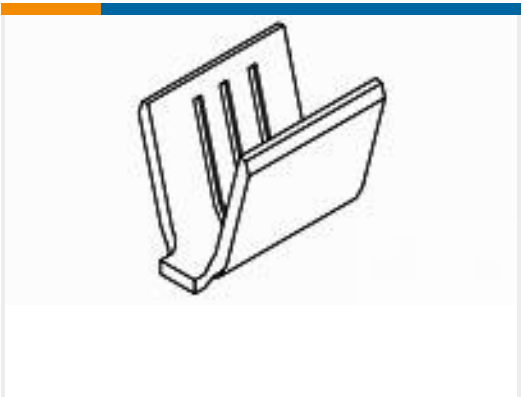
TE Part #927824-1
SPT REC 6.3 Contact SRC Sn



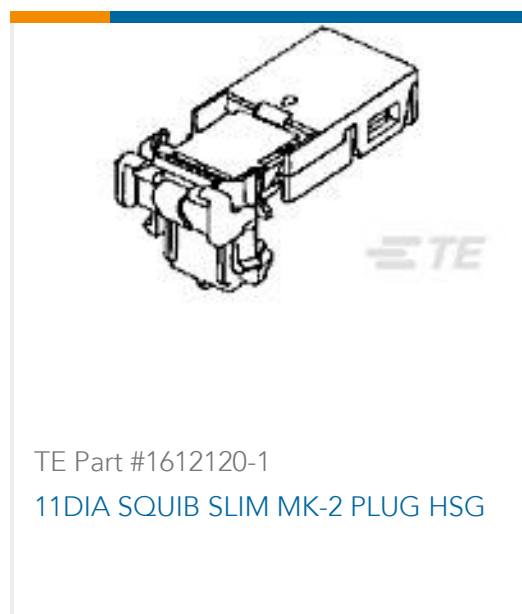
TE Part #1801174-1
2W TAB HP CONNECTOR BLACK



TE Part #170338-1
AMP-IN 22-18 AWG



TE Part #41975
SPLICE 1000-3200 CMA TPBR



Documents

Product Drawings

PIN 090 FLAG RECEPTACLE 20-14 AWG TPPHBZ

English

CAD Files

3D PDF

3D

Customer View Model

[ENG_CVM_CVM_42745-2_BR.2d_dxf.zip](#)

English

Customer View Model

[ENG_CVM_CVM_42745-2_BR.3d_igs.zip](#)

English

Customer View Model

[ENG_CVM_CVM_42745-2_BR.3d_stp.zip](#)

English

By downloading the CAD file I accept and agree to the [Terms and Conditions](#) of use.

Product Specifications

Application Specification

English

Pin Receptacle Contact With Closed Seam

English

Product Environmental Compliance

TE Material Declaration

English



[Agency Approvals](#)

[UL Report](#)

English