

42710-2 ✓ ACTIVE

FASTON | FASTON 205

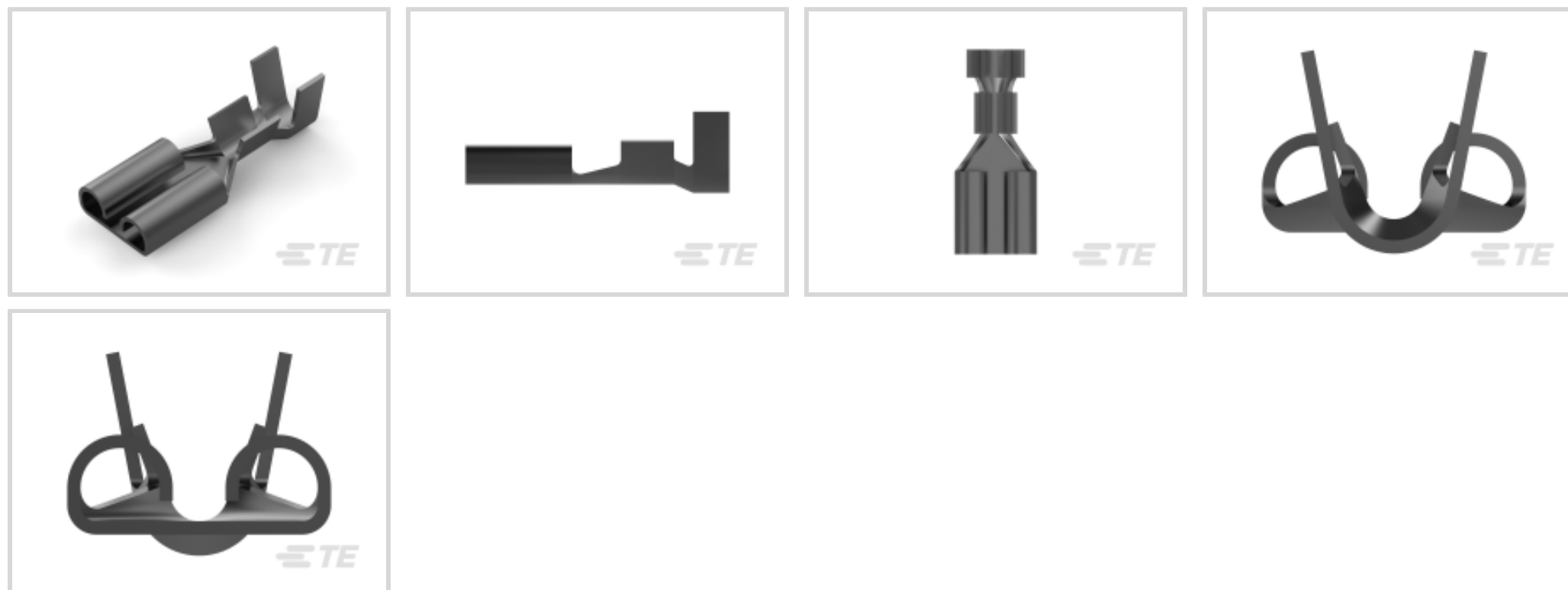
TE Internal #: 42710-2

Quick Disconnects, Receptacle, 22 – 18 AWG Wire Size, .32 – .82 mm² Wire Size, Mating Tab Width .205 in [5.21 mm], Straight, Brass, FASTON 205

[View on TE.com >](#)



Terminals & Splices > Quick Disconnects



Quick Disconnect Terminal Type: **Receptacle**

Wire Size: .32 – .82 mm²

Mating Tab Width: 5.21 mm [.205 in]

Mating Tab Thickness: .51 mm [.02 in]

Features

Product Type Features

Terminates To	Wire & Cable
Wire Stop	No
Wire/Cable Type	Regular Wire
Insertion Force	Low
Sealable	No

Configuration Features

Connection Capacity	Single
---------------------	--------

Contact Features

Quick Disconnect Terminal Type	Receptacle
Mating Tab Width	5.21 mm [.205 in]
Mating Tab Thickness	.51 mm [.02 in]
Terminal Orientation	Straight
Contact Base Material	Brass
Terminal Plating Material	Tin
Crimp Type	F-Crimp



Barrel Type	Open
-------------	------

Mechanical Attachment

Mating Retention Type	Dimple
Wire Insulation Support	With

Dimensions

Accepts Wire Insulation Diameter Range	2.16 – 3.18 mm [.085 – .125 in]
Overall Length	15.62 mm [.616 in]
Receptacle Terminal Stock Thickness	.33 mm [.013 in]
Wire Size	.32 – .82 mm ²

Usage Conditions

Insulation Option	Uninsulated
Operating Temperature Range	-40 – 110 °C [-40 – 230 °F]

Industry Standards

UL Rating	Listed
CSA Certified	Yes

Packaging Features

Packaging Quantity	15000
Packaging Method	Strip/Reel

Product Compliance

[For compliance documentation, visit the product page on TE.com>](#)

EU RoHS Directive 2011/65/EU	Compliant
EU ELV Directive 2000/53/EC	Compliant
China RoHS 2 Directive MIIT Order No 32, 2016	No Restricted Materials Above Threshold
EU REACH Regulation (EC) No. 1907/2006	Current ECHA Candidate List: JUNE 2022 (224) Candidate List Declared Against: JAN 2022 (223) SVHC > Threshold: Not Yet Reviewed
Halogen Content	Low Halogen - Br, Cl, F, I < 900 ppm per homogenous material. Also BFR/CFR/PVC Free
Solder Process Capability	Not applicable for solder process capability

Product Compliance Disclaimer

This information is provided based on reasonable inquiry of our suppliers and represents our current actual knowledge based on the information they provided. This information is subject to change. The part numbers that TE has identified as EU RoHS compliant have a maximum concentration of 0.1% by weight in homogenous materials for lead, hexavalent chromium, mercury, PBB, PBDE, DBP, BBP, DEHP, DIBP, and 0.01% for cadmium, or qualify for an exemption to these limits as defined in the Annexes of Directive 2011/65/EU (RoHS2). Finished electrical and electronic equipment products will be CE marked as required by Directive 2011/65/EU. Components may not be CE marked. Additionally, the part numbers that TE has identified as EU ELV compliant have a maximum concentration of 0.1% by weight in homogenous materials for lead, hexavalent chromium, and mercury, and 0.01% for cadmium, or qualify for an exemption to these limits as defined in the Annexes of Directive 2000/53/EC (ELV). Regarding the REACH Regulation, the information TE provides on SVHC in articles for this part number is based on the latest European Chemicals Agency (ECHA) 'Guidance on requirements for substances in articles' posted at this URL: <https://echa.europa.eu/guidance-documents/guidance-on-reach>

Compatible Parts



TE Part # 1742754-1
FASTON RECEPTACLE 26-22 AWG
TPBR



TE Part # 2-2150258-1
OCEAN_2.0_Applicator-E-090F140F



TE Part # 2-2150258-2
OCEAN_2.0_Applicator-E-090F140FA



TE Part # 2150258-1
OCEAN_2.0_Applicator-E-090F140F



TE Part # 2150258-2
OCEAN_2.0_Applicator-E-090F140FA



TE Part # 7-2150258-1
OCEAN_2.0_Applicator-E-090F140F




TE Part # 7-2150258-2
OCEAN_2.0_Applicator-E-090F140FA



KIT
REPRESENTATION ONLY

TE Part # 7-2150258-7
OCEAN_2.0_SPARE_PART_KIT-090F140F


Also in the Series | FASTON 205



Crimp Terminal Housings(3)

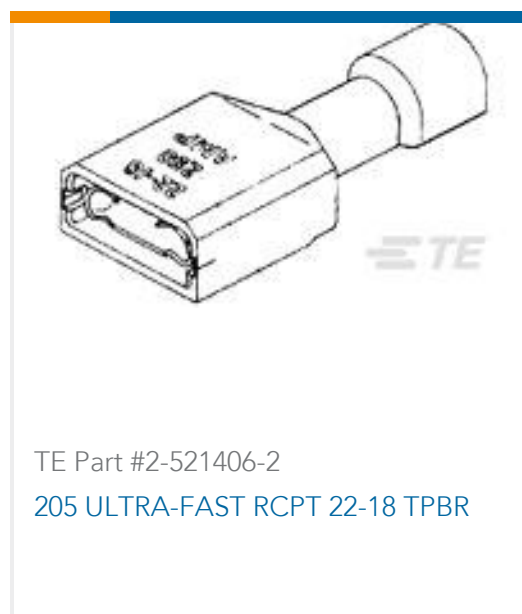


PCB Terminals(9)

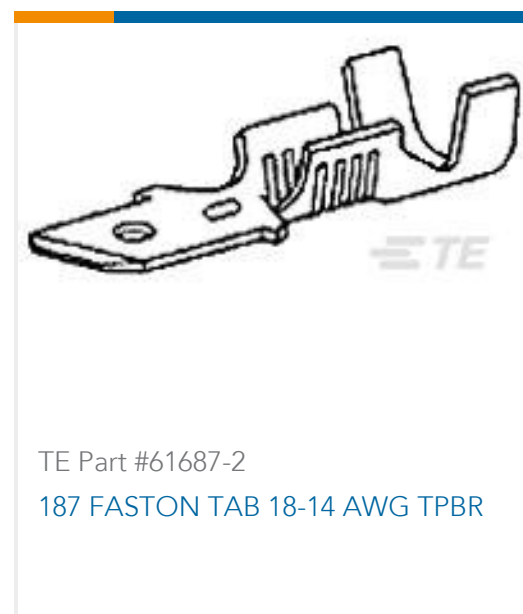


Quick Disconnects(36)

Customers Also Bought



TE Part #2-521406-2
205 ULTRA-FAST RCPT 22-18 TPBR



TE Part #61687-2
187 FASTON TAB 18-14 AWG TPBR



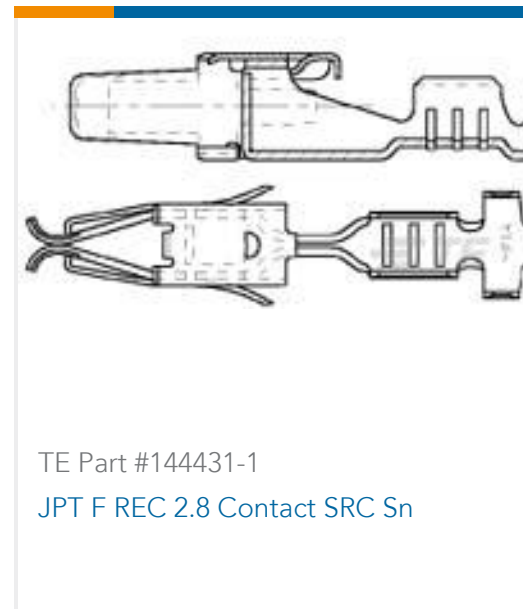
TE Part #42068-1
110 FASTON REC 22-18 AWG TPBR



TE Part #3-1393247-6
W31-X2M1G-25=W23/W31



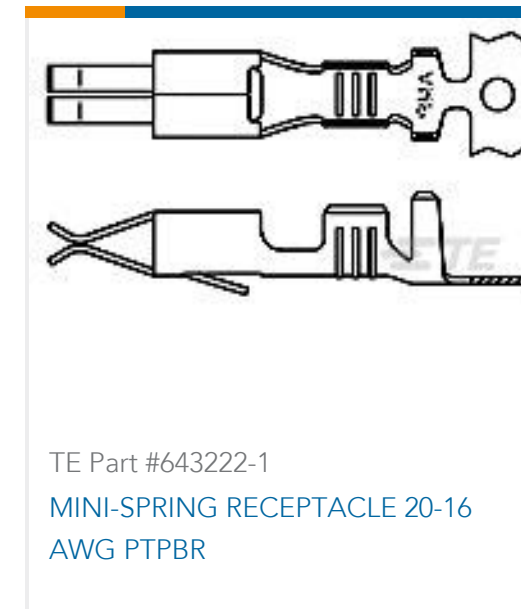
TE Part #794995-1
MINI UMNL CAVITY PLUG SEAL



TE Part #144431-1
JPT F REC 2.8 Contact SRC Sn



TE Part #7-1452656-1
MCON 1.2 LL REC SRC SN



TE Part #643222-1
MINI-SPRING RECEPTACLE 20-16
AWG PTPBR



TE Part #1SNA118707R0300
SCF6



TE Part #1SNA176669R1600
BJM8-2

Documents

Product Drawings

[205 FASTON REC 22-18 AWG TPBR](#)

English

CAD Files

Customer View Model

[ENG_CVM_CVM_42710-2_Y.2d_dxf.zip](#)

English

3D PDF

3D

Customer View Model

[ENG_CVM_CVM_42710-2_Y.3d_igs.zip](#)

English

Customer View Model

[ENG_CVM_CVM_42710-2_Y.3d_stp.zip](#)

English

By downloading the CAD file I accept and agree to the [Terms and Conditions](#) of use.

Datasheets & Catalog Pages



82004 FASTON Terminals (Insulated and Uninsulated) Catalog - FASTON Receptacles Section

English

Product Specifications

Application Specification

English

Product Environmental Compliance

Product Compliance

English

Product Compliance

English