

345206-1 ✓ ACTIVE

AMP | Econoseal

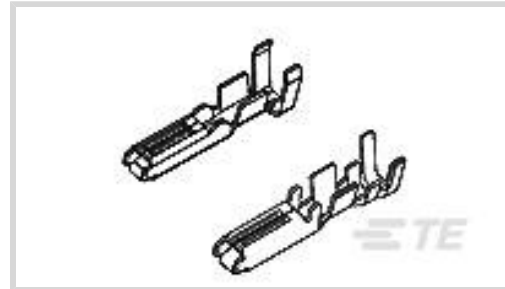
TE Internal #: 345206-1

Automotive Terminals, Receptacle, Mating Tab Width 1.7 mm [.07 in], Tab Thickness .025 in [.64 mm], 22 – 20 AWG Wire Size, Econoseal

[View on TE.com >](#)



Terminals & Splices > Automotive Terminals > MULTILOCK, RECEPTACLE AND TAB



Terminal Type: **Receptacle**

Mating Tab Width: **1.7 mm [.07 in]**

Mating Tab Thickness: **.64 mm [.025 in]**

Terminal Transmits: **0 – 24 A (Low Power)**

Wire Size: **22 – 20 AWG**

[All MULTILOCK, RECEPTACLE AND TAB \(142\)](#)

Features

Product Type Features

Receptacle Style	180°
Sealable	No
Primary Locking Feature	Clean Body

Contact Features

Contact Size	1.8mm
Contact Fabrication	Stamped & Formed
Crimp Type	F-Crimp
Terminal Type	Receptacle
Mating Tab Width	1.7 mm[.07 in]
Mating Tab Thickness	.64 mm[.025 in]
Interface Plating	Tin (Sn)
Contact Termination Area Plating Material	Tin (Sn)

Termination Features

Termination Method to Wire & Cable	Crimp
Product Terminates To	Wire

Dimensions

Wire Size	.3 – .5 mm ²
-----------	-------------------------



Wire Size Search	20 AWG, 21 AWG, 22 AWG
------------------	------------------------

Wire Insulation Diameter	1.2 – 2 mm [.047 – .079 in]
--------------------------	-----------------------------

Usage Conditions

Insulation Option	Uninsulated
-------------------	-------------

Operation/Application

Compatible With Wire Base Material	Copper
------------------------------------	--------

Packaging Features

Packaging Method	Reel
------------------	------

Packaging Quantity	4000
--------------------	------

Other

Customer Preferred Contact	No
----------------------------	----

Terminal Transmits	0 – 24 A (Low Power)
--------------------	----------------------

Product Compliance

[For compliance documentation, visit the product page on TE.com>](#)

EU RoHS Directive 2011/65/EU	Compliant
------------------------------	-----------

EU ELV Directive 2000/53/EC	Compliant
-----------------------------	-----------

China RoHS 2 Directive MIIT Order No 32, 2016	No Restricted Materials Above Threshold
---	---

EU REACH Regulation (EC) No. 1907/2006	Current ECHA Candidate List: JUNE 2022 (224) Candidate List Declared Against: JUNE 2022 (224) Does not contain REACH SVHC
--	---

Halogen Content	Low Halogen - Br, Cl, F, I < 900 ppm per homogenous material. Also BFR/CFR/PVC Free
-----------------	---

Solder Process Capability	Not applicable for solder process capability
---------------------------	--

Product Compliance Disclaimer

This information is provided based on reasonable inquiry of our suppliers and represents our current actual knowledge based on the information they provided. This information is subject to change. The part numbers that TE has identified as EU RoHS compliant have a maximum concentration of 0.1% by weight in homogenous materials for lead, hexavalent chromium, mercury, PBB, PBDE, DBP, BBP, DEHP, DIBP, and 0.01% for cadmium, or qualify for an exemption to these limits as defined in the Annexes of Directive 2011/65/EU (RoHS2). Finished electrical and electronic equipment products will be CE marked as required by Directive 2011/65/EU. Components may not be CE marked. Additionally, the part numbers that TE has identified as EU ELV compliant have a maximum concentration of 0.1% by weight in homogenous materials for lead, hexavalent chromium, and mercury, and 0.01% for cadmium, or qualify for an exemption to these limits as defined in the Annexes of Directive 2000/53/EC (ELV). Regarding the REACH Regulation, the information TE provides

on SVHC in articles for this part number is based on the latest European Chemicals Agency (ECHA) 'Guidance on requirements for substances in articles' posted at this URL: <https://echa.europa.eu/guidance-documents/guidance-on-reach>

Compatible Parts

TE Part # CAT-M9194-CH8172
MULTILOCK, CONNECTOR HOUSING

TE Part # 2305570-1
TERMINAL CUTTER, SIDE FEED

TE Part # 755430-2
EXT, TOOL ASSY

TE Part # 2-2151266-1
OCEAN_2.0_Applicator-S-070F080BX

TE Part # 2-2151266-2
OCEAN_2.0_Applicator-S-070F080BX

TE Part # 2151266-1
OCEAN_2.0_Applicator-S-070F080BX

TE Part # 2151266-2
OCEAN_2.0_Applicator-S-070F080BX

TE Part # 58528-2
PROCRIMPER DIE

TE Part # 7-2151266-1
OCEAN_2.0_Applicator-S-070F080BX

TE Part # 7-2151266-2
OCEAN_2.0_Applicator-S-070F080BX

TE Part # 7-2151266-7
OCEAN_2.0_SPARE_PART_KIT-070F080BX

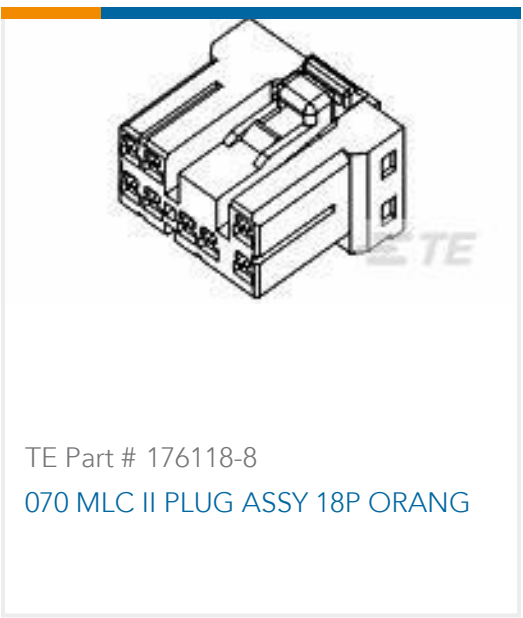
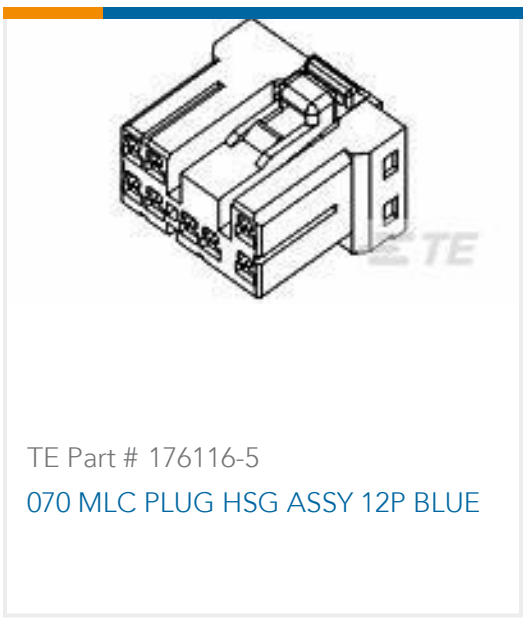
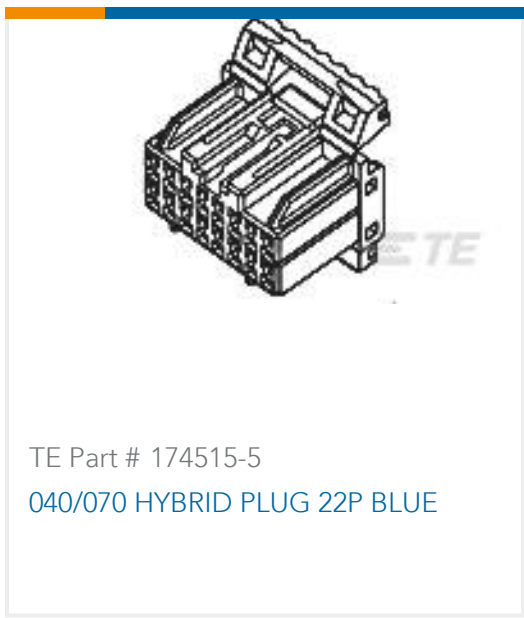
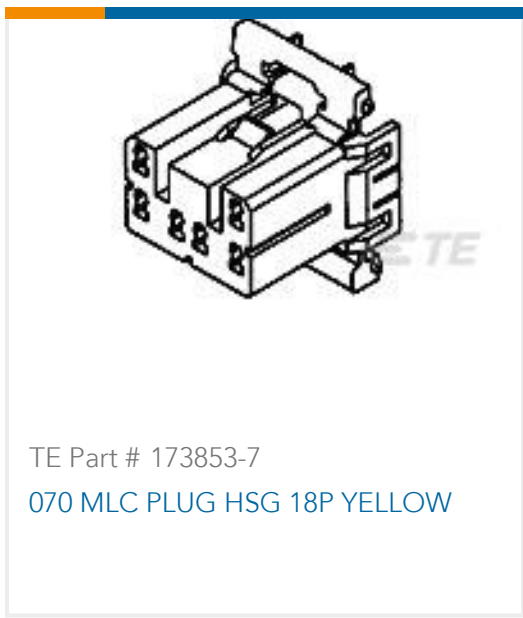
TE Part # 91580-1
CCII 070 SERIES REC TAB 24-22 ASSY

TE Part # 173852-5
070 MULTILOCK PLUG 14P BLUE

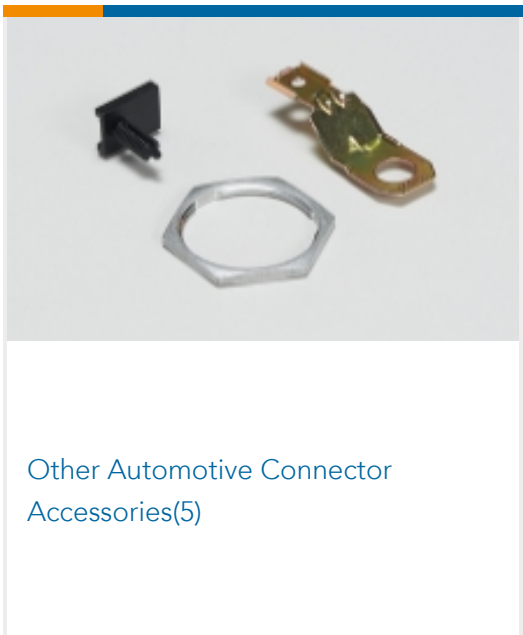
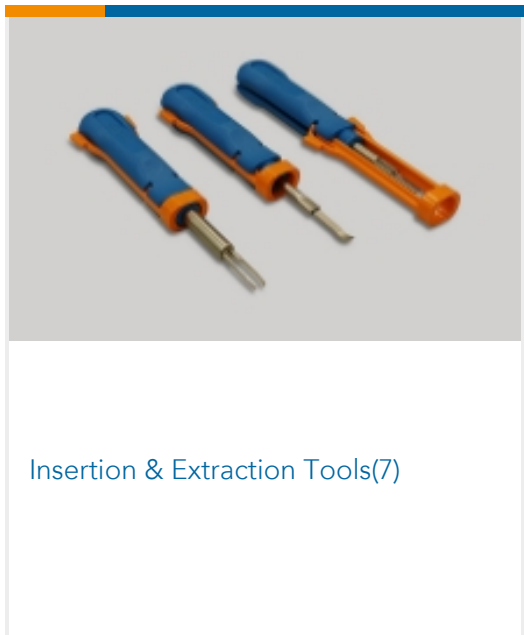
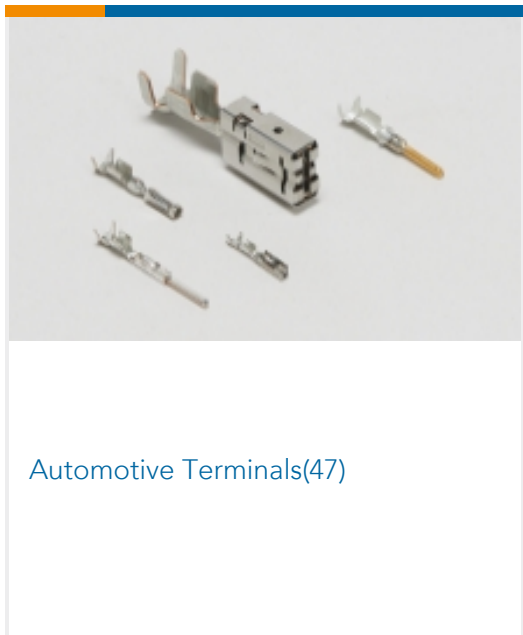
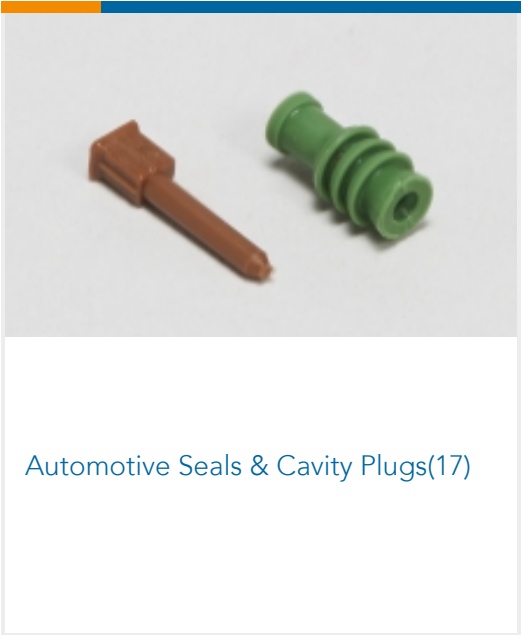
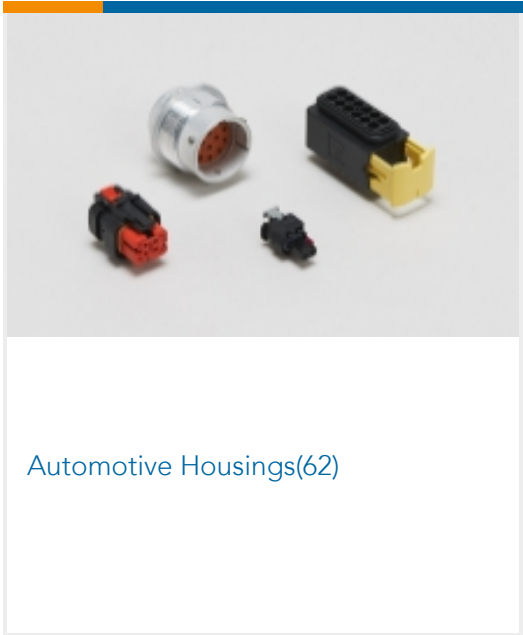
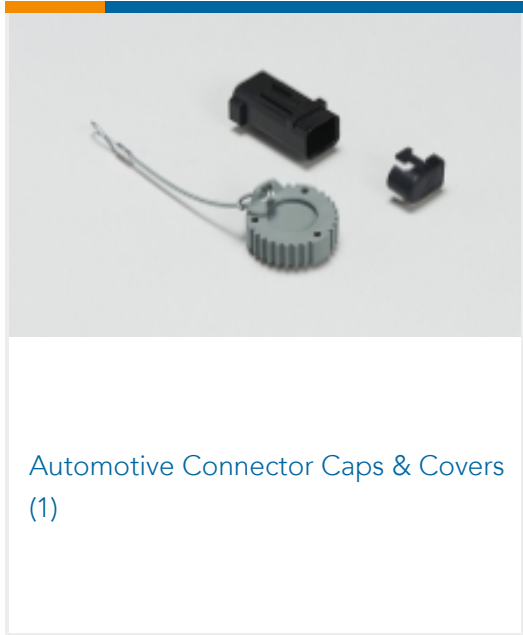
TE Part # 174923-5
070 MLC W-W PLUG HSG 6P BLUE

TE Part # 175567-6
HYBRID I/O PLUG HSG 26P GRAY

TE Part # 173850-4
070 MLC PLUG HSG 8P GREEN

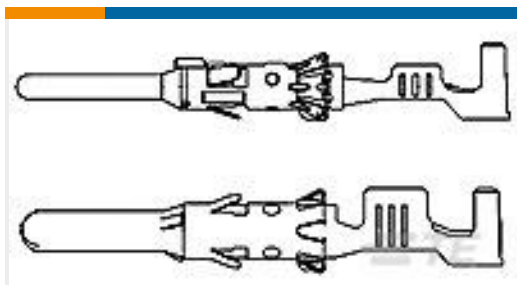


Also in the Series | Econoseal

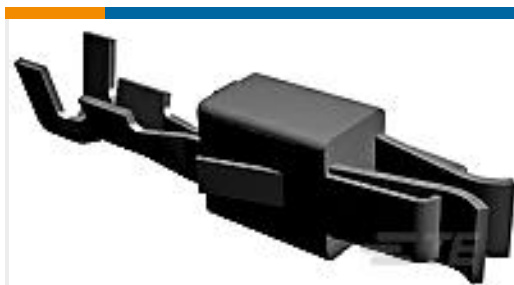


Customers Also Bought

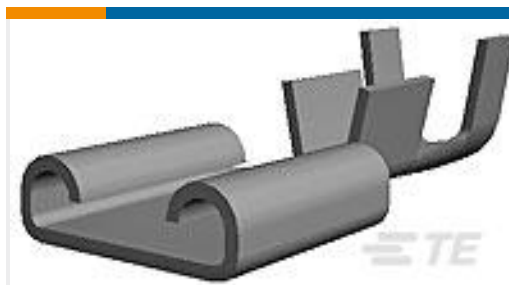




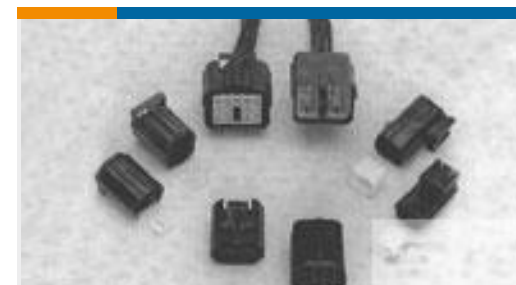
TE Part #929968-1
2,5MM PIN CONTACT



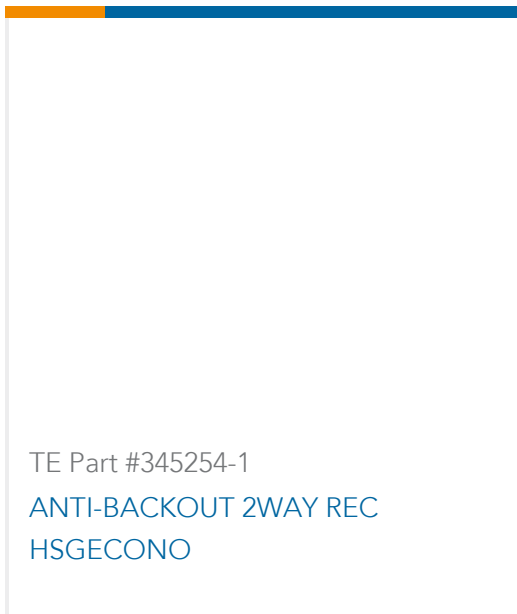
TE Part #1-927771-1
JPT REC 2.8 Contact SRC Au



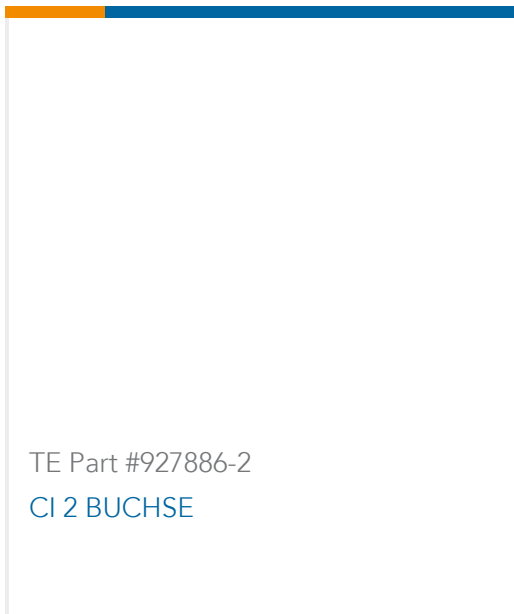
TE Part #62428-2
250 FASTON REC 12-10 AWG TPBR



TE Part #344276-1
2 WAY REC HSG. SIL SEAL ECONO



TE Part #345254-1
ANTI-BACKOUT 2WAY REC
HSGECONO



TE Part #927886-2
CI 2 BUCHSE

Documents

Product Drawings

070 SERIES RECEPT.

English

CAD Files

3D PDF

3D

Customer View Model

[ENG_CVM_CVM_345206-1_K.2d_dxf.zip](#)

English

Customer View Model

[ENG_CVM_CVM_345206-1_K.3d_igs.zip](#)

English

Customer View Model

[ENG_CVM_CVM_345206-1_K.3d_stp.zip](#)

English

By downloading the CAD file I accept and agree to the [Terms and Conditions](#) of use.

Datasheets & Catalog Pages

MULTILOCK Connector System

English