

316454-1 ✓ ACTIVE

MATE-N-LOK | Mini-Universal MATE-N-LOK

TE Internal #: 316454-1

Rectangular Backshells & Clamps, Cable Clamp, 9 Position, Size 9,  
UL 94V-0, -20 – 105 °C [-4 – 221 °F], Mini-Universal MATE-N-LOK

[View on TE.com >](#)



Connectors > Rectangular Connectors > Rectangular Connector Accessories > Rectangular Backshells & Clamps



Backshell & Clamp Accessory Type: **Cable Clamp**

Number of Positions: **9**

Compatible With Connector Shell Size: **9**

UL Flammability Rating: **UL 94V-0**

Operating Temperature Range: **-20 – 105 °C [-4 – 221 °F]**

## Features

### Product Type Features

Accessory Color	Black
Backshell & Clamp Accessory Type	Cable Clamp

### Configuration Features

Number of Positions	9
---------------------	---

### Housing Features

Housing Material	Nylon 66 GF
------------------	-------------

### Dimensions

Height	2 mm
--------	------

### Usage Conditions

Operating Temperature Range	-20 – 105 °C[-4 – 221 °F]
-----------------------------	---------------------------

### Operation/Application

Compatible With Connector Shell Size	9
--------------------------------------	---

### Industry Standards

UL Flammability Rating	UL 94V-0
------------------------	----------

### Packaging Features

Packaging Quantity	500
Packaging Method	Bag

### Other

Comment	Screw:Cross Recessed Head Machine Screw M2.6 L10
---------	---

### Product Compliance

[For compliance documentation, visit the product page on TE.com>](#)

EU RoHS Directive 2011/65/EU	Compliant
EU ELV Directive 2000/53/EC	Compliant
China RoHS 2 Directive MIIT Order No 32, 2016	No Restricted Materials Above Threshold
EU REACH Regulation (EC) No. 1907/2006	Current ECHA Candidate List: JUNE 2022 (224) Candidate List Declared Against: JAN 2022 (223) SVHC > Threshold: Not Yet Reviewed
Halogen Content	Not Low Halogen - contains Br or Cl > 900 ppm.
Solder Process Capability	Not applicable for solder process capability

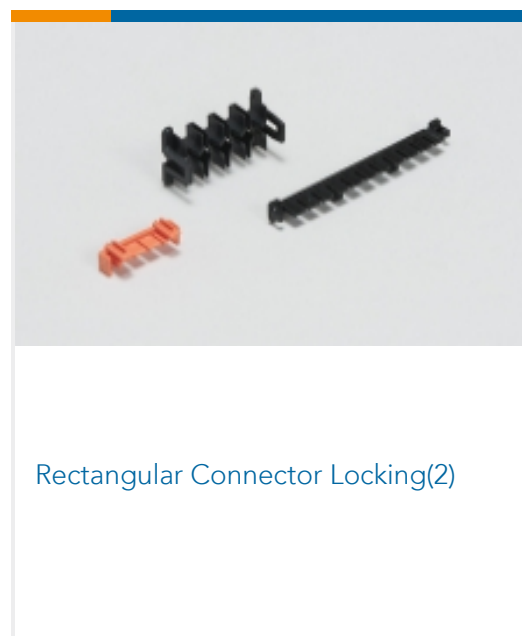
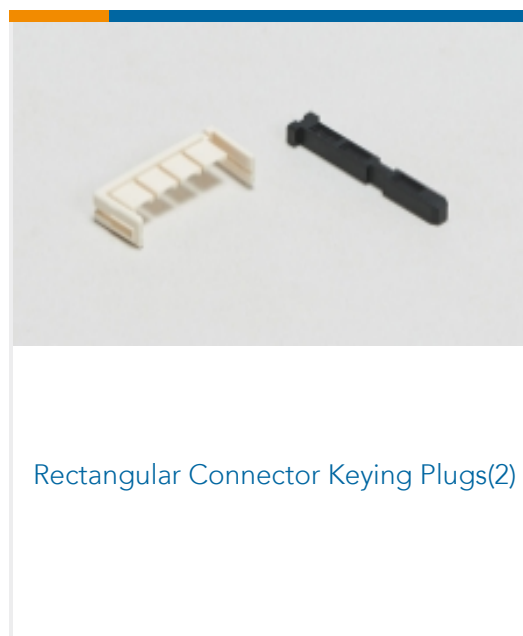
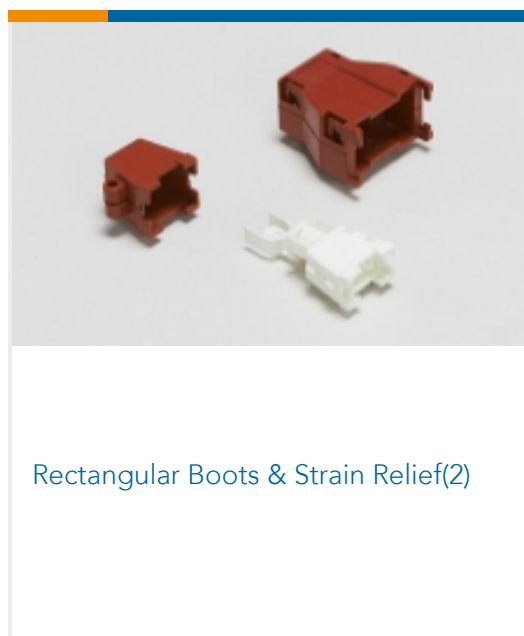
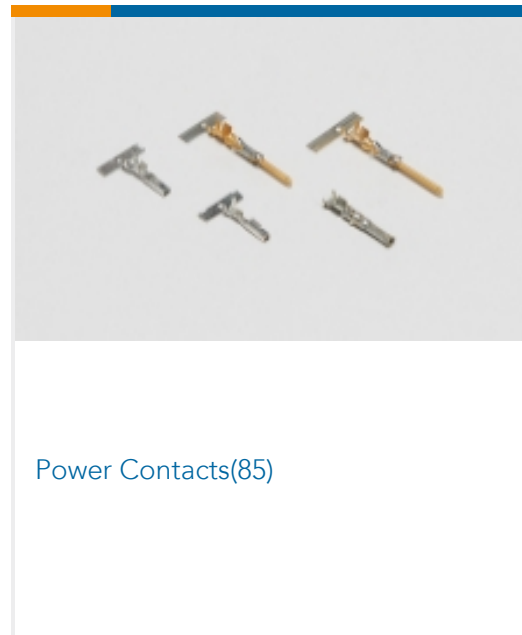
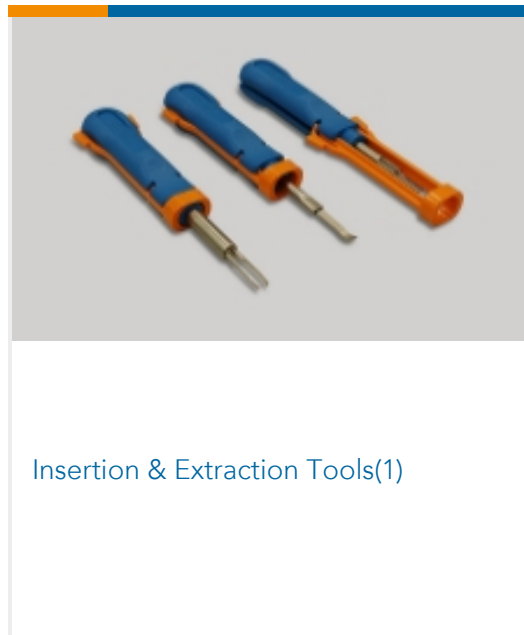
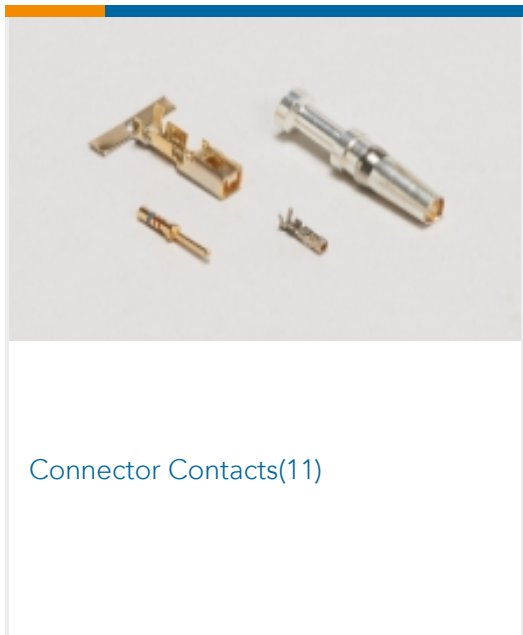
#### Product Compliance Disclaimer

This information is provided based on reasonable inquiry of our suppliers and represents our current actual knowledge based on the information they provided. This information is subject to change. The part numbers that TE has identified as EU RoHS compliant have a maximum concentration of 0.1% by weight in homogenous materials for lead, hexavalent chromium, mercury, PBB, PBDE, DBP, BBP, DEHP, DIBP, and 0.01% for cadmium, or qualify for an exemption to these limits as defined in the Annexes of Directive 2011/65/EU (RoHS2). Finished electrical and electronic equipment products will be CE marked as required by Directive 2011/65/EU. Components may not be CE marked. Additionally, the part numbers that TE has identified as EU ELV compliant have a maximum concentration of 0.1% by weight in homogenous materials for lead, hexavalent chromium, and mercury, and 0.01% for cadmium, or qualify for an exemption to these limits as defined in the Annexes of Directive 2000/53/EC (ELV). Regarding the REACH Regulation, the information TE provides on SVHC in articles for this part number is based on the latest European Chemicals Agency (ECHA) 'Guidance on requirements for substances in articles' posted at this URL: <https://echa.europa.eu/guidance-documents/guidance-on-reach>

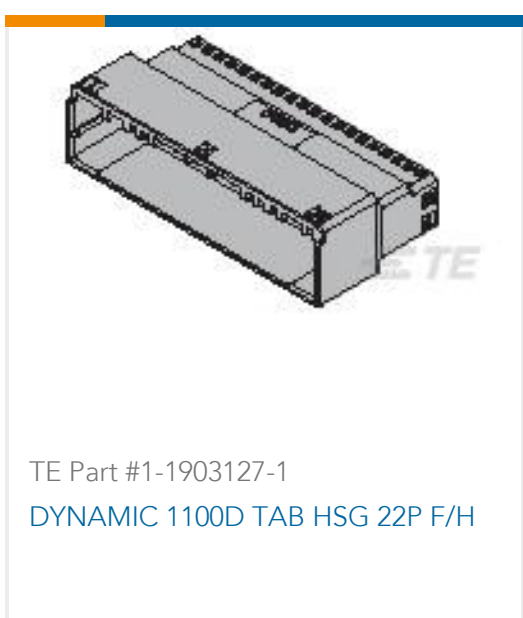
### Compatible Parts

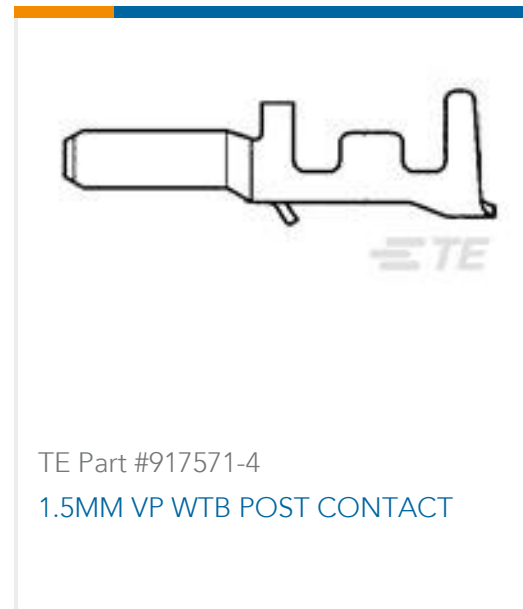


## Also in the Series | Mini-Universal MATE-N-LOK



## Customers Also Bought





## Documents

### Product Drawings

#### M-U-M-N-L PLUG CABLE CLAMP

Japanese

### CAD Files

#### Customer View Model

[ENG\\_CVM\\_CVM\\_316454-1\\_D.2d\\_dxf.zip](#)

English

#### 3D PDF

3D

#### Customer View Model

[ENG\\_CVM\\_CVM\\_316454-1\\_D.3d\\_igs.zip](#)

English

#### Customer View Model

[ENG\\_CVM\\_CVM\\_316454-1\\_D.3d\\_stp.zip](#)

English

By downloading the CAD file I accept and agree to the [Terms and Conditions](#) of use.

### Datasheets & Catalog Pages

#### SOFT\_SHELL\_PIN\_AND\_SOCKET\_CONNECTORS\_CATALOG

English

[1-1773458-0\\_MINI\\_UNIVERSAL\\_MATE\\_N\\_LOK\\_CONNECTOR\\_SYSTEM\\_QRG](#)

English

### Product Environmental Compliance

#### Product Compliance

English

316454-1

Rectangular Backshells & Clamps, Cable Clamp, 9 Position, Size 9, UL 94V-0, -20 – 105 °C [-4 – 221 °F], Mini-Universal MATE-N-LOK



## Product Compliance

English