

3-770565-2 ✓ ACTIVE



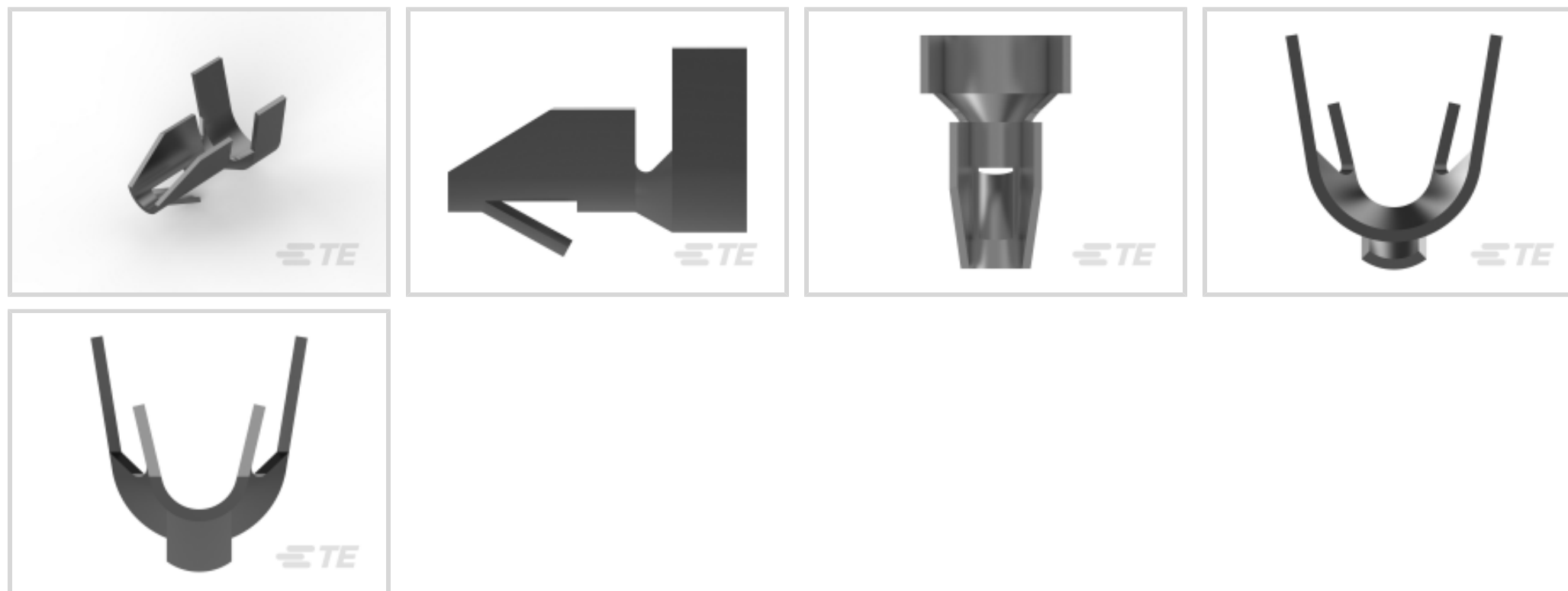
AMP-IN

TE Internal #: 3-770565-2

PCB Terminals, PCB Pin, PCB Hole Diameter 1.83 mm [.072 in], 22 – 18 AWG Wire Size, .3 – .9 mm<sup>2</sup> Wire Size, Crimp, Tin Plating, Reel

[View on TE.com >](#)

Terminals & Splices > PCB Terminals



PCB Terminal Type: PCB Pin

PCB Thickness (Recommended): 1.57 mm [.062 in]

PCB Hole Diameter: 1.83 mm [.072 in]

Profile Height from PCB: 1.73 mm [.068 in]

Accepts Wire Insulation Diameter (Max): 2.79 mm [.11 in]

### Features

#### Product Type Features

PCB Terminal Mounting Style	Stud Mount
-----------------------------	------------

#### Configuration Features

Stud Hole	No
Terminal Angle	180 °

#### Body Features

Finish	Bright
--------	--------

#### Contact Features

Contact Plating Material	Tin
PCB Terminal Type	PCB Pin
Terminal Plating Material	Tin
Terminal Size	Miniature
Terminal Orientation	Straight

#### Termination Features

Termination Method to Wire & Cable	Crimp
------------------------------------	-------



Product Terminates To

Printed Circuit Board

### Mechanical Attachment

Wire Insulation Support

With

### Dimensions

Extension Below Board

2.29 mm[.09 in]

PCB Thickness (Recommended)

1.57 mm[.062 in]

PCB Hole Diameter

1.83 mm[.072 in]

Profile Height from PCB

1.73 mm[.068 in]

Accepts Wire Insulation Diameter (Max)

2.79 mm[.11 in]

Accepts Wire Insulation Diameter Range

1.52 – 2.79 mm[.06 – .11 in]

Wire Size

.3 – .9 mm<sup>2</sup>

### Usage Conditions

Insulation Option

Uninsulated

Operating Temperature Range

-55 – 105 °C[-67 – 221 °F]

### Packaging Features

Packaging Quantity

7000

Packaging Method

Reel

### Other

Comment

Machine applied applicator required., No hand tools available., Not available in loose piece.

### Product Compliance

For compliance documentation, visit the product page on [TE.com](https://www.te.com)>

EU RoHS Directive 2011/65/EU

Compliant

EU ELV Directive 2000/53/EC

Compliant

China RoHS 2 Directive MIIT Order No 32, 2016

No Restricted Materials Above Threshold

EU REACH Regulation (EC) No. 1907/2006

Current ECHA Candidate List: JUNE 2022 (224)  
 Candidate List Declared Against: JAN 2022 (223)  
 SVHC > Threshold:  
 Not Yet Reviewed

Halogen Content

Low Halogen - Br, Cl, F, I < 900 ppm per homogenous material. Also BFR/CFR/PVC Free

Solder Process Capability

Wave solder capable to 265°C

Product Compliance Disclaimer

This information is provided based on reasonable inquiry of our suppliers and represents our current actual knowledge based on the information they provided. This information is subject to change. The part numbers that TE has identified as EU RoHS compliant have a maximum concentration of 0.1% by weight in homogenous materials for lead, hexavalent chromium, mercury, PBB, PBDE, DBP, BBP, DEHP, DIBP, and 0.01% for cadmium, or qualify for an exemption to these limits as defined in the Annexes of Directive 2011/65/EU (RoHS2). Finished electrical and electronic equipment products will be CE marked as required by Directive 2011/65/EU. Components may not be CE marked. Additionally, the part numbers that TE has identified as EU ELV compliant have a maximum concentration of 0.1% by weight in homogenous materials for lead, hexavalent chromium, and mercury, and 0.01% for cadmium, or qualify for an exemption to these limits as defined in the Annexes of Directive 2000/53/EC (ELV). Regarding the REACH Regulation, the information TE provides on SVHC in articles for this part number is based on the latest European Chemicals Agency (ECHA) 'Guidance on requirements for substances in articles' posted at this URL: <https://echa.europa.eu/guidance-documents/guidance-on-reach>

## Compatible Parts



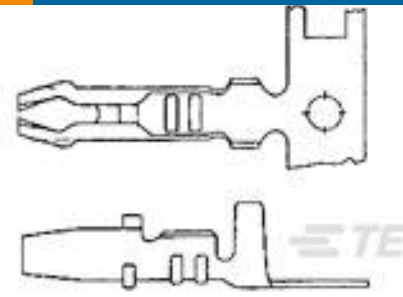
TE Part # 2305570-1  
TERMINAL CUTTER, SIDE FEED



TE Part # 3-42642-3  
AMP-IN TERM IS 22-20 010PTBR



TE Part # 640311-5  
MINI AMP-IN 22-18 AWG POST TIN PLTD



TE Part # 170072-6  
AMP-IN KONTAKT



TE Part # 2-2151224-1  
OCEAN\_2.0\_Applicator-S-062F110F



TE Part # 2-2151224-2  
OCEAN\_2.0\_Applicator-S-062F110F



TE Part # 2151224-1  
OCEAN\_2.0\_Applicator-S-062F110F



TE Part # 2151224-2  
OCEAN\_2.0\_Applicator-S-062F110F



TE Part # 7-2151224-1  
OCEAN\_2.0\_Applicator-S-062F110F

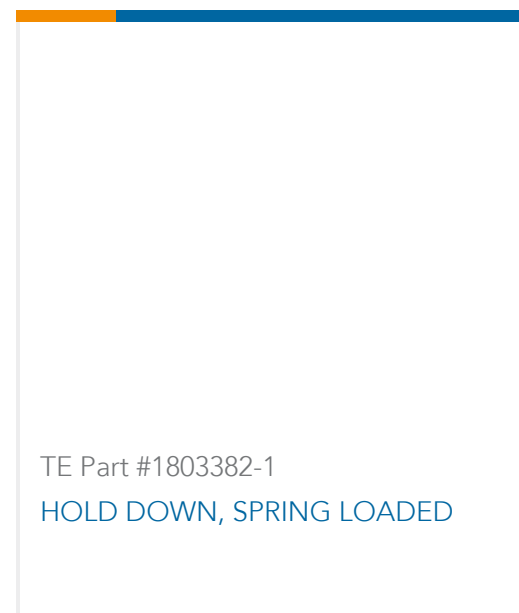


TE Part # 7-2151224-2  
OCEAN\_2.0\_Applicator-S-062F110F



TE Part # 7-2151224-7  
OCEAN\_2.0\_SPARE\_PART\_KIT-062F110F

## Customers Also Bought



## Documents

### Product Drawings

#### MINI AMP-IN 22-18 AWG LF

English

### CAD Files

#### Customer View Model

[ENG\\_CVM\\_CVM\\_3-770565-2\\_G.2d\\_dxf.zip](#)

English

### 3D PDF

3D

#### Customer View Model

[ENG\\_CVM\\_CVM\\_3-770565-2\\_G.3d\\_igs.zip](#)

English

#### Customer View Model

[ENG\\_CVM\\_CVM\\_3-770565-2\\_G.3d\\_stp.zip](#)

English

By downloading the CAD file I accept and agree to the [Terms and Conditions](#) of use.

## Datasheets & Catalog Pages



## PRINTED CIRCUIT BOARD TERMINALS AND DISCONNECTS

English

---

### Product Specifications

#### Application Specification

English

---

### Product Environmental Compliance

#### MD\_3-770565-2\_050920182249\_dmtec

English

#### MD\_3-770565-2\_050920182249\_dmtec

English