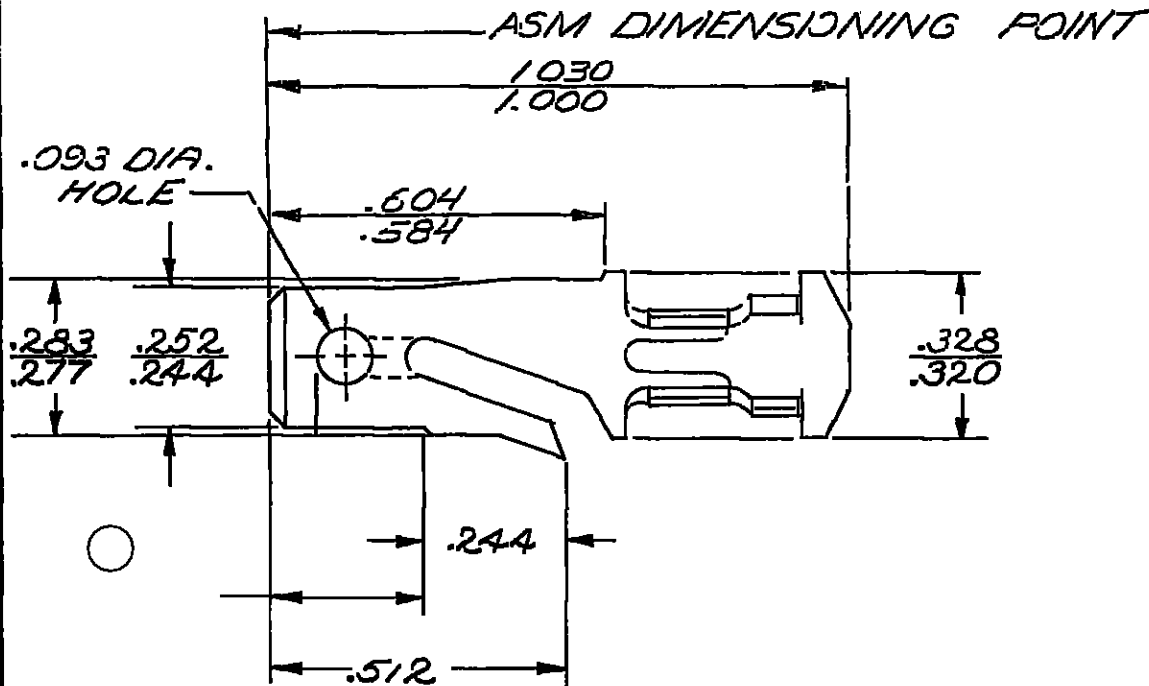


PACKARD ELECTRIC DIVISION  
GENERAL MOTORS CORPORATION  
WARREN, OHIO

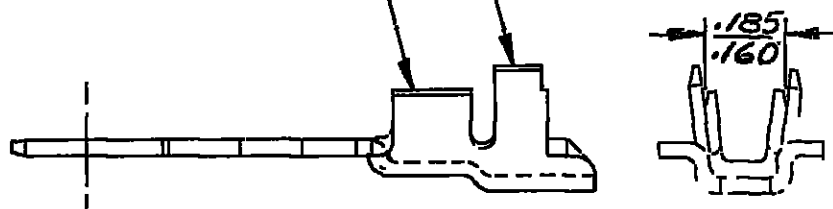
**DO NOT SCALE**

THIS DRAWING AND DESIGN HEREOF CONSTITUTES A PROPRIETARY DESIGN OF PACKARD ELECTRIC DIVISION AND IS NOT TO BE DUPLICATED OR REPRODUCED WITHOUT AUTHORITY OF PACKARD ELECTRIC DIVISION



CONDUCTOR WINGS FOR 2.0-1.0 MM<sup>2</sup> CABLE.

INSULATION WINGS FOR 3.05MM MAX. INSULATION DIA.



C02D1582

-OUTLINE DRAWING-

PART NO		<b>2971962</b>		SIZE	<b>A</b>
DATE	SYM	REVISION RECORD	C/N NO		
6-15-60	∞	VIEW & .062 DIM. ADDED	1808		
9-13-66	∞	DIM. & DIMENSIONING POINT REVISED.	25293		
		MAT'L. SPEC. WAS .032 BRASS-TIN PLATED			
5-9-68	∞	WAS .65/.3	32961		
8-6-69	∞	2962864 D" SIZE SPT#1 WAS 2962864-D	36500		
04SE79	-	CABLE REVISED TO METRIC	70645		
01SE82	-	PICTURE REVISED	82155		
01AU83	AZ	REV SYM ADVANCED	86126		
180C05	AZ11	REMOVED DIM (1 PLC)	273766		
CODE NO <b>6900</b>		TOLERANCE UNLESS OTHERWISE SPECIFIED			
		DECIMAL ±.005			
		FRACTIONAL			
		ANGULAR ± 2°			
DWG DATE <b>3-18-60</b>	SCALE <b>NONE</b>	DR <b>T. ORR</b>			
ROUTING		CK <i>[Signature]</i> <b>3-19-60</b>			
DEPT		APPR			
OUTST		APPR <i>[Signature]</i>			
REFERENCE		APPR			
2962864 "D" SIZE SPT#1		CODE NO			
MATERIAL SPEC		.0320 THK. SAE CA-260 BRASS			
		1/2 HARD-TIN PLATED			
NAME		<b>TERMINAL-MALE-'56 SERIES</b>			
PART NO		<b>2971962</b>		SIZE	
				<b>A</b>	