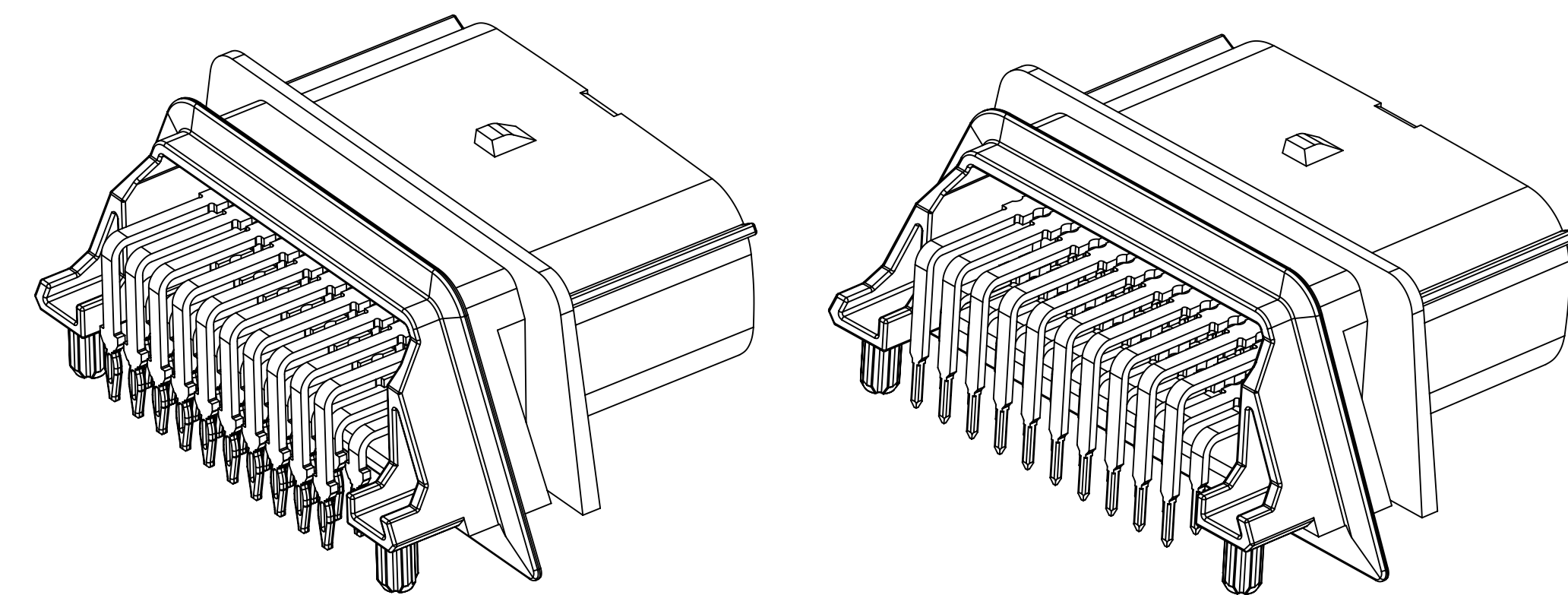


DETAIL 1  
SCALE 10:1

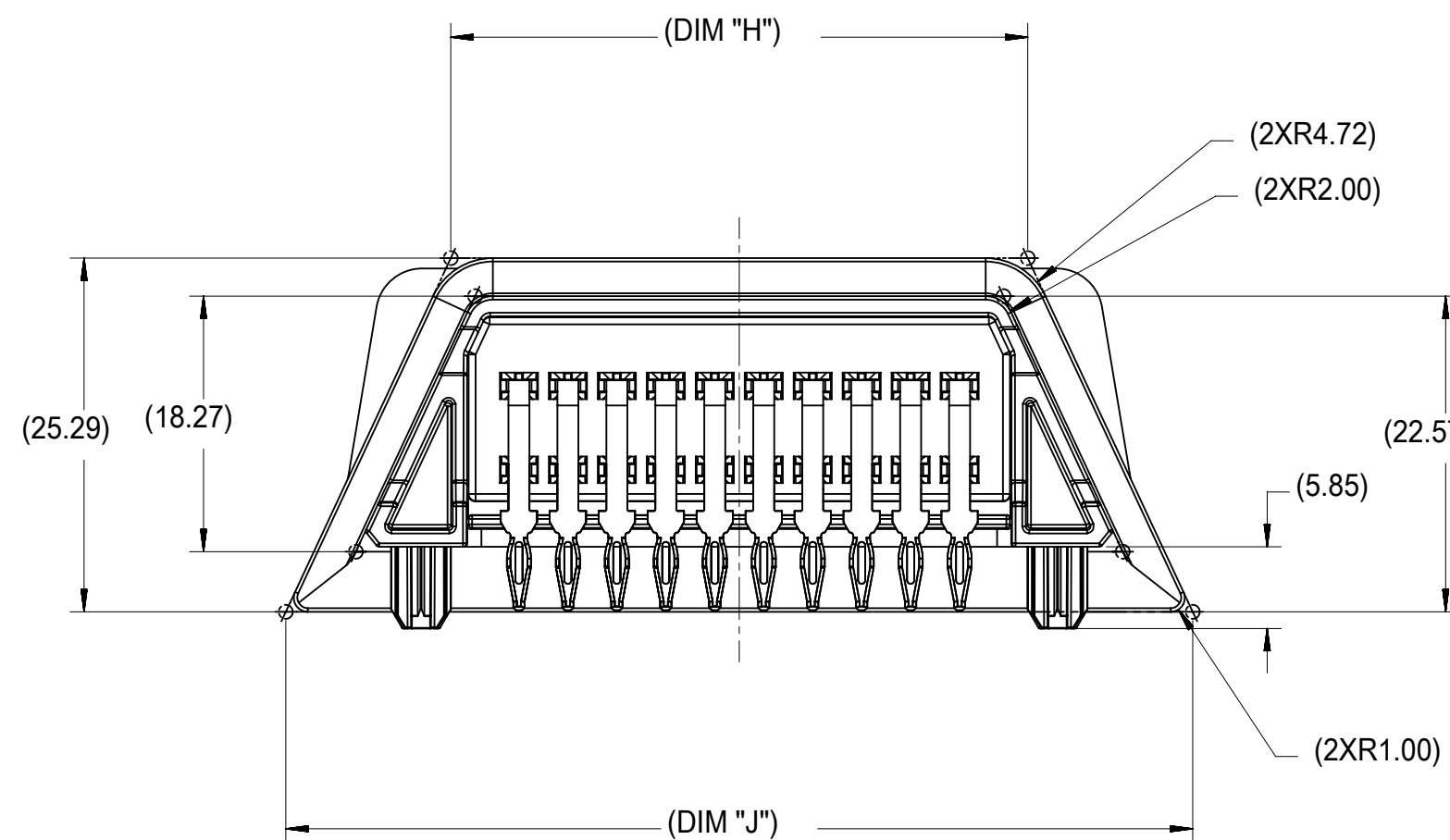
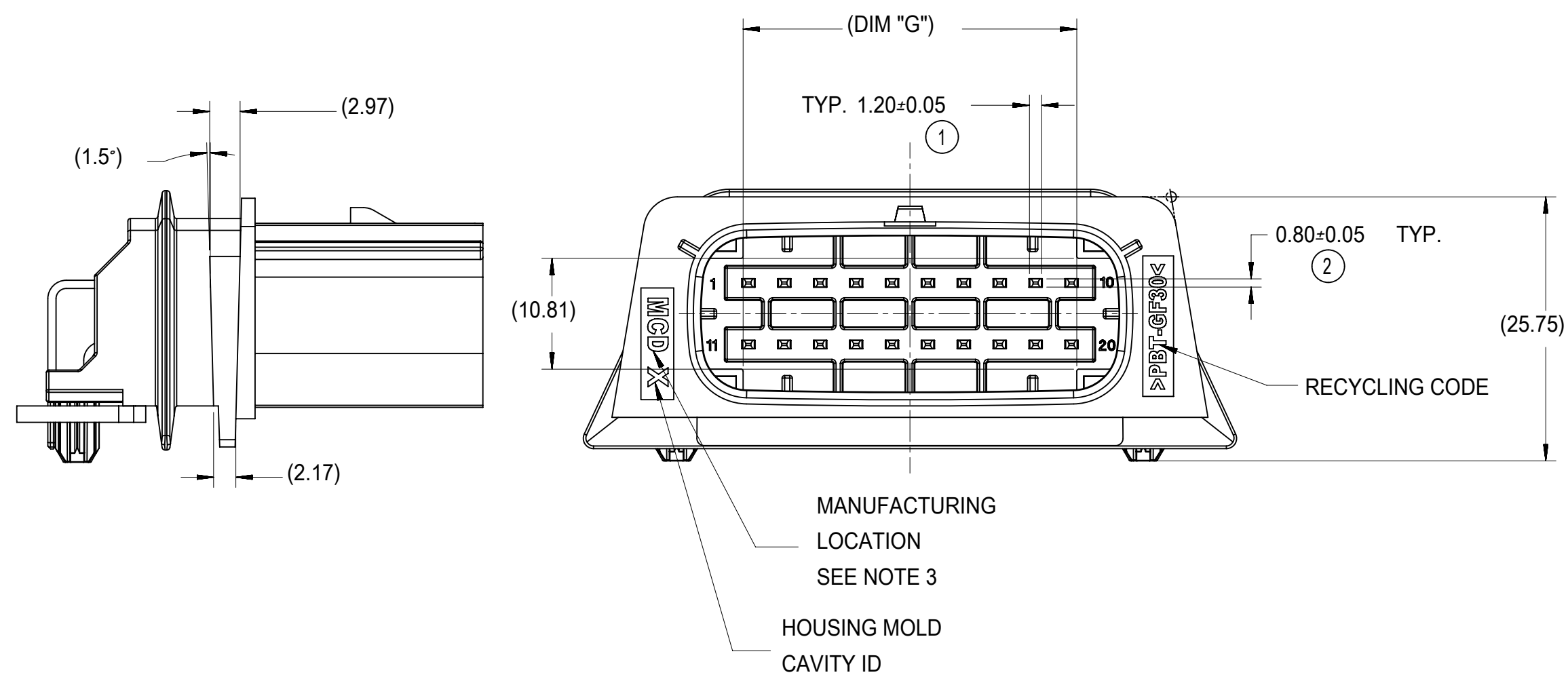


EON SHOWN  
(2X10 SHOWN)

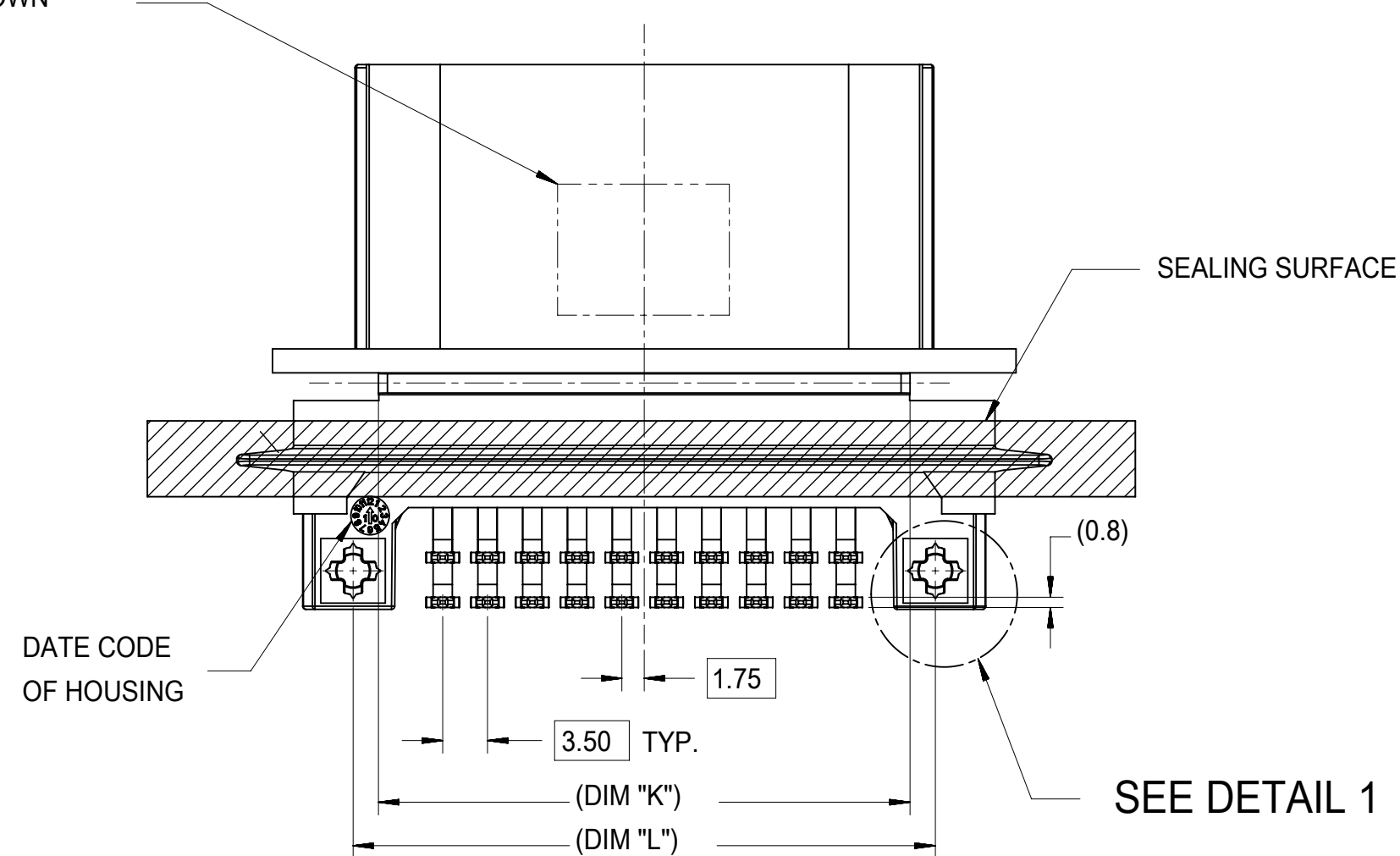
SOLDERTAIL SHOWN  
(2X10 SHOWN)

NOTES UNLESS OTHERWISE SPECIFIED

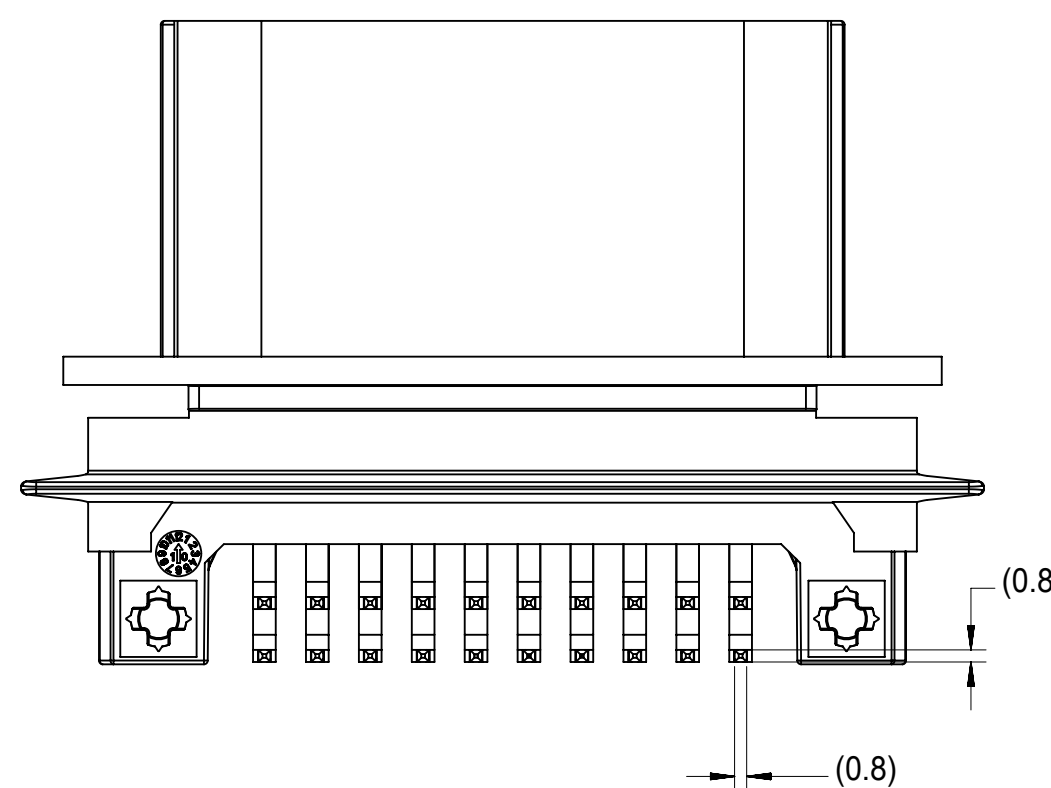
1. GENERAL:
  - a. PARTS MUST BE IN COMPLIANCE TO MOLEX CHEMICAL SUBSTANCES FOR PRODUCTS AND PACKAGING SPECIFICATION: ES-40000-5015
  - b. DATA MUST BE SUBMITTED UNDER THE MOLEX PART NUMBER TO IMDS (COMPANY ID#13255)
  - c. 1.5 PCB PRESS-FIT (COMPLIANT PIN) PER SD-31503-012 REV A
  - d. PCB INTENDED TO BE FR4 0.062" (1.6mm) THICK
2. DESIGN - MATERIALS:
  - a. HOUSING: PBT 30%GF.
  - b. TERMINAL:
    - SOLDER VERSION: COPPER ALLOY.
    - COMPLIANT VERSION: COPPER ALLOY.
3. DESIGN - GEOMETRY:
  - a. THIS IS A 100% CAD GENERATED PART. THE CAD MATHEMATICAL DATA IS THE MASTER FOR THIS PART. FOR DIMENSIONAL OR ANY INFORMATION NOT SHOWN ON THIS DRAWING, ANALYZE THE CAD MODEL.
  - b. PRODUCT DESIGN MODEL NUMBER(S): SEE BOM TABLE
  - c. GEOMETRIC DIMENSIONS AND TOLERANCES PER ASME Y14.5M - 1994
  - d. EDGES AND UNDIMENSIONED DETAILS PER ISO13715
  - e. CORNERS SHOWN AS SHARP TO BE R 0.2 MAX.
  - f. LETTERING SHALL BE 0.15 MAX RAISED. THIS INCLUDES RECYCLING CODE, CAVITY ID, MANUFACTURING LOCATION, AND MOLEX MATERIAL NUMBER.
4. TRUE POSITIONS OF THE EONS AND SOLDERTAIL TO BE VERIFIED WITH A FUNCTIONAL GO/NO GO GAUGE.
5. ALL DIMENSIONS APPLY TO THE PART AS SHIPPED FROM MOLEX. FINAL POSITIONING IS ACHIEVED WITH PCB APPLICATION TOOLING. REFERENCE AS-34829-001.
6. LASER MARKING TO BE MARKED WITH:
  - HUMAN READABLE CODE (HRC)
  - PERMANENTLY APPLIED ON THE PART WITH 1.5mm LETTER SIZE
  - INFORMATION TO BE PRINTED
  - 9 DIGIT MOLEX MATERIAL NUMBER
  - 5 DIGIT JULIAN MANUFACTURING DATE STAMP DDDYY
7. TRUE POSITION OF THE MATE SIDE CONNECTOR TO BE VERIFIED WITH A GO/NO-GO FUNCTIONAL GAGE
8. ALL DIMENSION WITH OUT BALLOONS ARE NOT MEASURED. SURROGATE DATA FROM THE COMPONENT PRINT WILL BE USED TO MEET DIMENSIONAL REQUIREMENTS.
9. EON (COMPLIANT PIN) DESIGN REQUIRES AN ASSEMBLY FIXTURE FOR INSTALLATION.



LASER MARKING TO BE SHOWN IN THIS LOCATION SEE NOTE 6

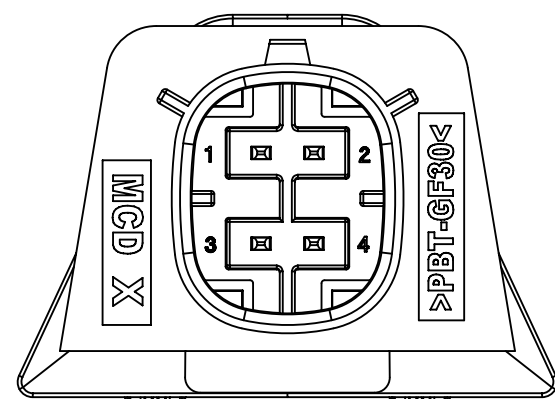


EON DESIGN

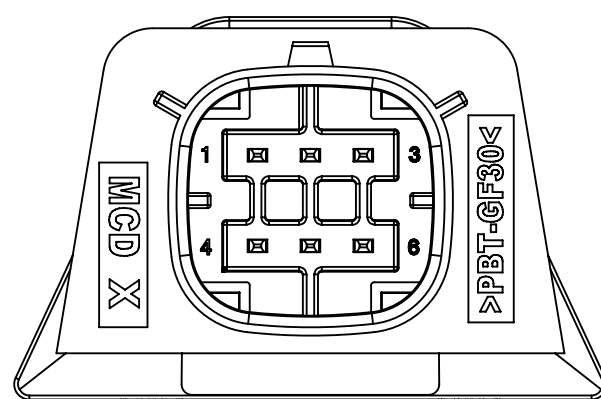


SOLDERTAIL DESIGN

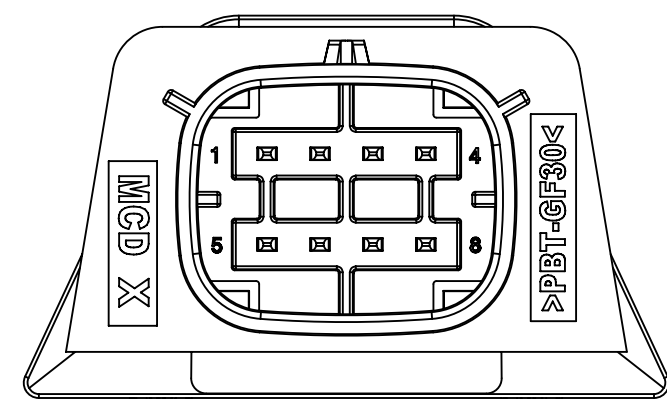
SYMBOLS		THIS DRAWING CONTAINS INFORMATION THAT IS PROPRIETARY TO MOLEX ELECTRONIC TECHNOLOGIES, LLC AND SHOULD NOT BE USED WITHOUT WRITTEN PERMISSION	
DIMENSION UNITS	SCALE	CURRENT REV DESC:	
mm	2:1		
GENERAL TOLERANCES (UNLESS SPECIFIED)			
ANGULAR TOL	± 3.0°		
4 PLACES	±		
3 PLACES	±		
2 PLACES	± 0.13		
1 PLACE	± 0.25		
0 PLACES	±		
DRAFT WHERE APPLICABLE MUST REMAIN WITHIN DIMENSIONS			
	THIRD ANGLE PROJECTION		
	DRAWING	SERIES	
	D-SIZE	34829	
		MATERIAL NUMBER	CUSTOMER
		SEE SHEET 2	GENERAL MARKET
		DOCUMENT NUMBER	DOC TYPE DOC PART REVISION
		SD-34829-001	PSD 001 A3
		PRODUCT CUSTOMER DRAWING	
		MX150 DUAL ROW R/A HEADER ASSEMBLY	
		EC NO: 624158	
		DRWN: XLDONG03 2019/09/17	
		CHK'D: JDENG02 2019/09/19	
		APPR: JDENG02 2019/09/19	
		INITIAL REVISION:	
		DRWN: LSONG05 2012/03/22	
		APPR: PBERG 2012/05/29	
		MATERIAL NUMBER	
		SEE SHEET 2	
		CUSTOMER	
		GENERAL MARKET	
		SHEET NUMBER	
		1 OF 3	



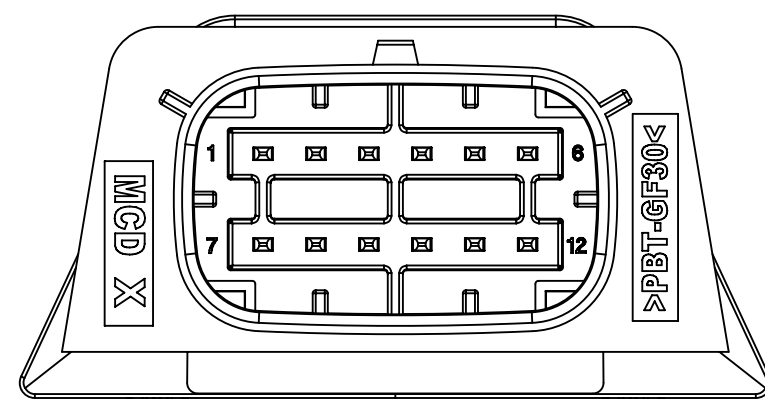
34829-04XX  
34830-04XX



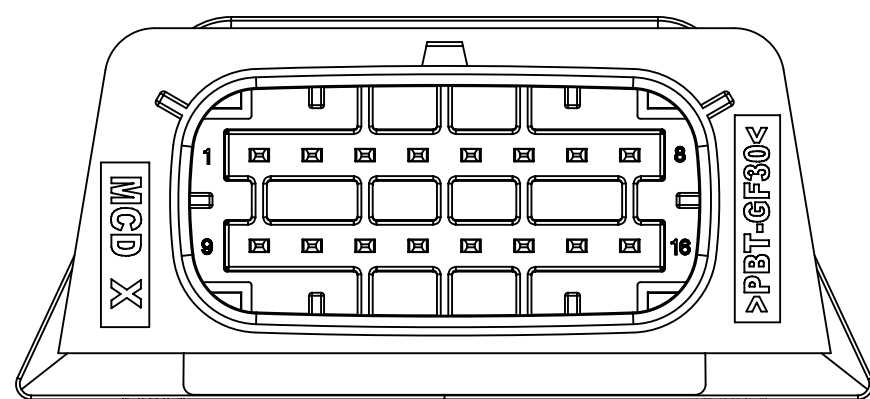
34829-06XX  
34830-06XX



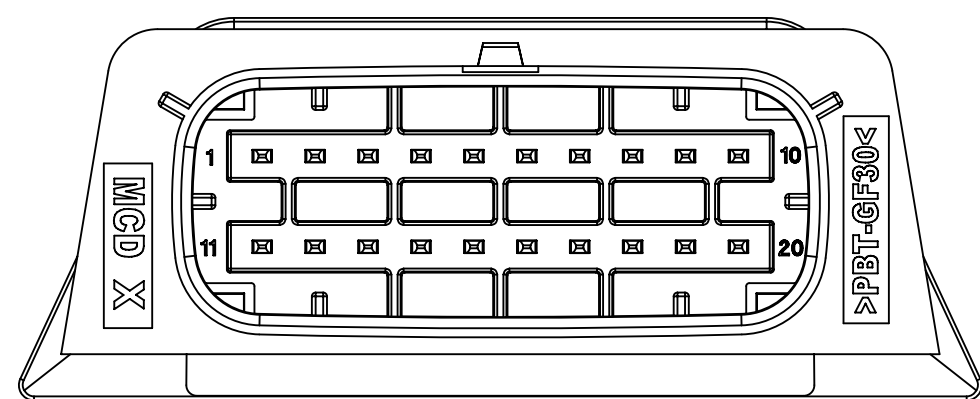
34829-08XX  
34830-08XX



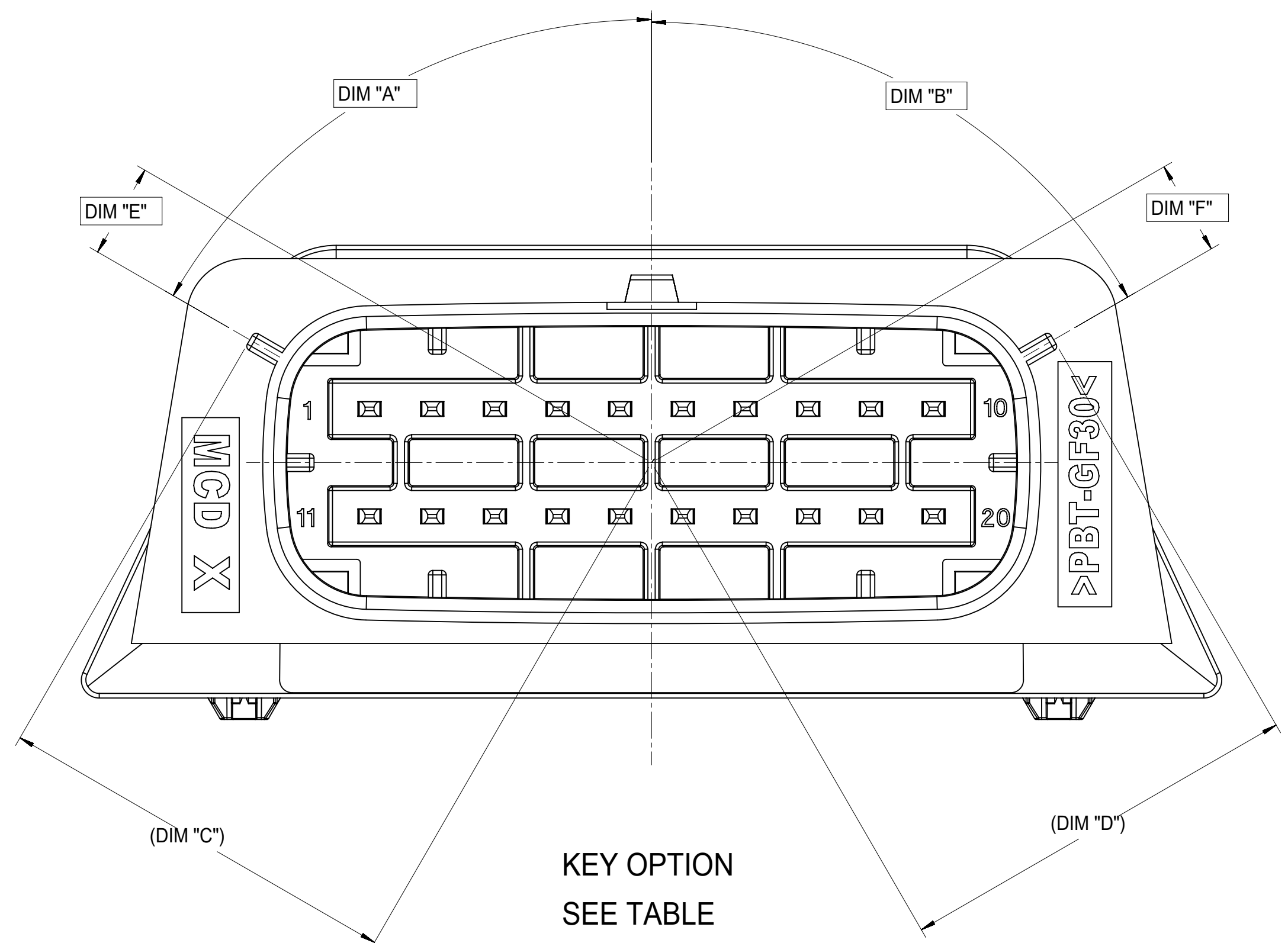
34829-12XX  
34830-12XX



34829-16XX  
34830-16XX



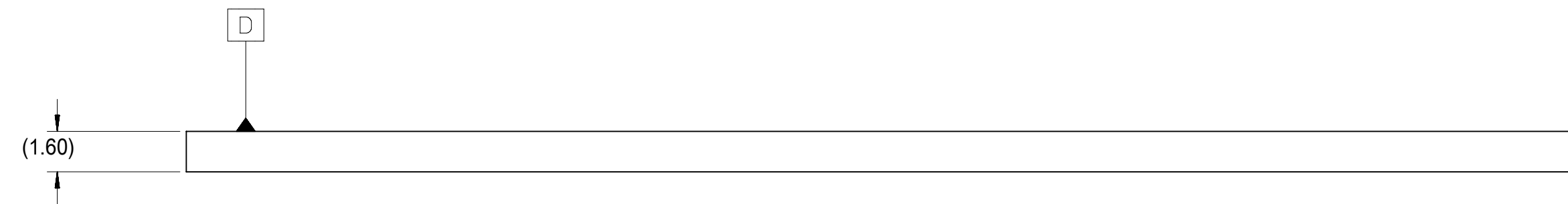
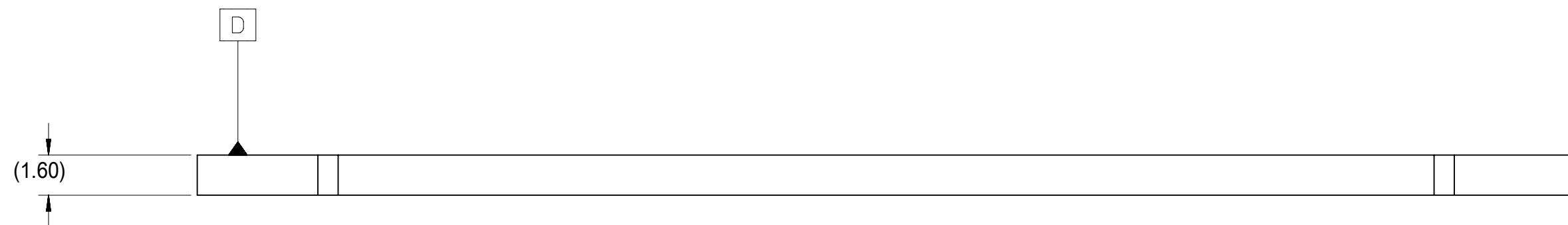
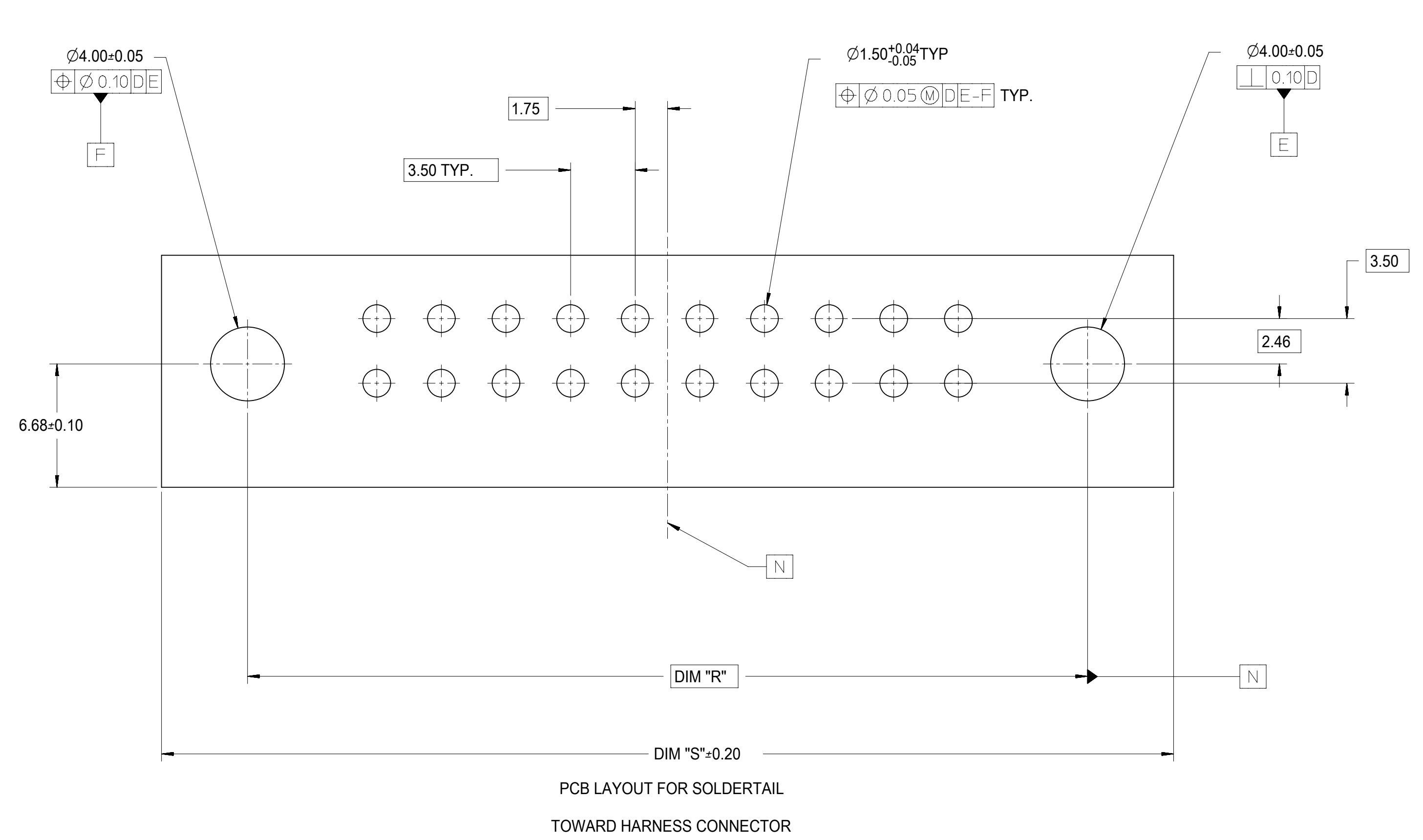
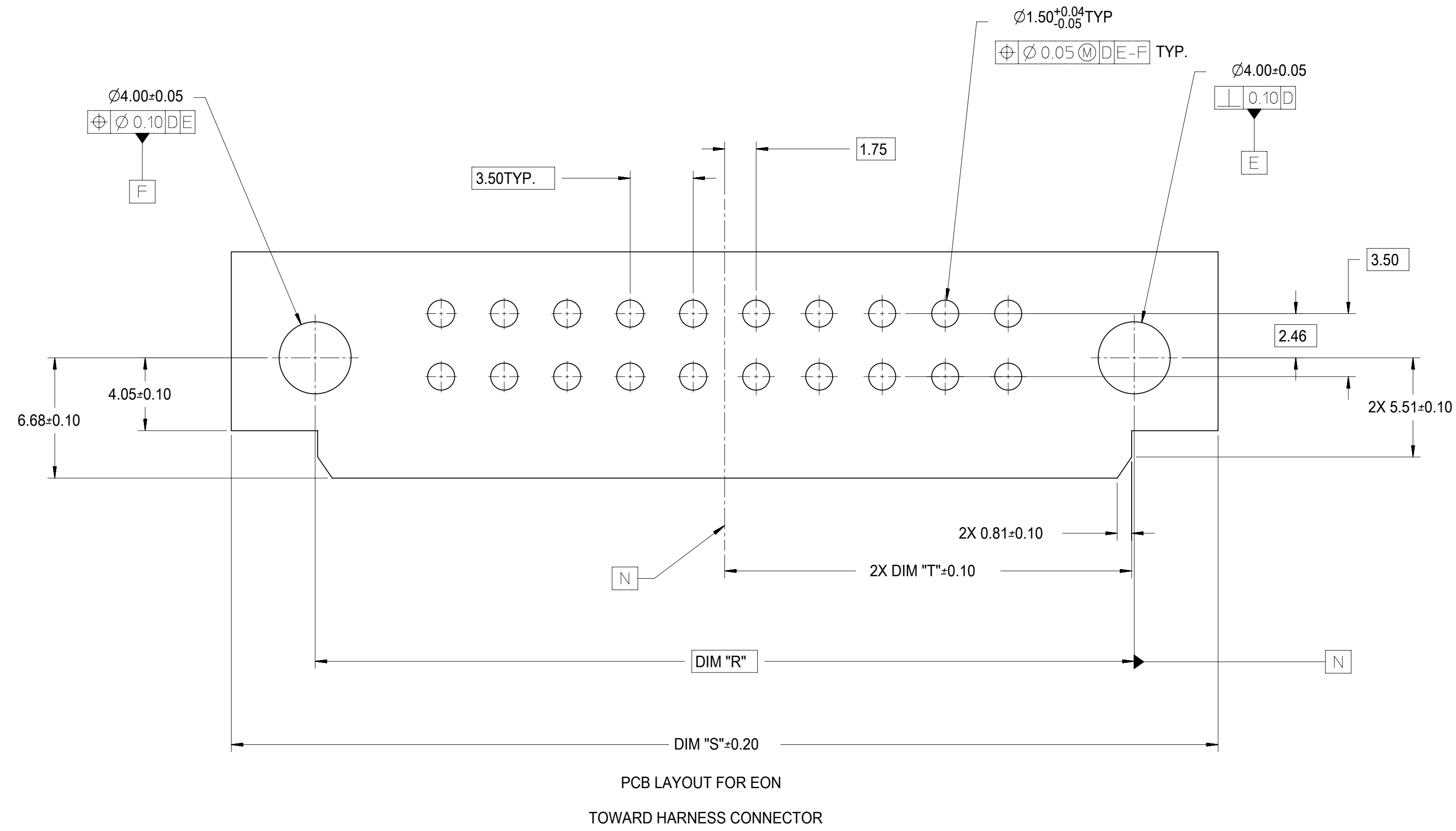
34829-20XX  
34830-20XX



MATERIAL NUMBER		DESCRIPTION	KEY CODING	COLOR	DIMENSIONS										STATUS								
EON	SOLDERTAIL				A	B	C	D	E	F	G	H	J	K	L	EON	A1	SOLDERTAIL					
348290401	348300401	2x2 WAY HEADER	A	BLACK	60°	60°	10.75	10.75	1.73	1.73	4.53	13.24	36.83	13.54	17.50	OBSOLETE	DESIGN CONCEPT						
348290402	348300402		B	LT GRAY	40°	60°	11.16	10.75	0.57	1.73													
348290403	348300403		C	DK GRAY	60°	40°	10.75	11.16	1.73	0.57													
348290404	348300404		D	BLACK	40°	40°	11.16	11.16	0.57	0.57													
348290601	348300601	2x3 WAY HEADER	A	BLACK	60°	60°	12.27	12.27	0.86	0.86	8.03	16.74	40.33	17.04	21.00	OBSOLETE	DESIGN CONCEPT						
348290602	348300602		B	LT GRAY	25°	60°	11.93	12.27	1.94	0.86													
348290603	348300603		C	DK GRAY	60°	25°	12.27	11.93	0.86	1.94													
348290604	348300604		D	BLACK	25°	25°	11.93	11.93	1.94	1.94													
348290801	348300801	2x4 WAY HEADER	A	BLACK	60°	60°	13.78	13.78	0.02	0.02	11.53	20.24	43.83	20.54	24.50	OBSOLETE	SALEABLE						
348290802	348300802		B	LT GRAY	25°	60°	12.67	13.78	3.53	0.02													
348290803	348300803		C	DK GRAY	60°	25°	13.78	12.67	0.02	3.53													
348290804	348300804		D	BLACK	25°	25°	12.67	12.67	3.53	3.53													
348291201	348301201	2x6 WAY HEADER	A	BLACK	60°	60°	16.81	16.81	1.77	1.77	18.53	27.24	50.83	27.54	31.50	OBSOLETE	DESIGN CONCEPT						
348291202	348301202		B	LT GRAY	25°	60°	14.14	16.81	6.70	1.77													
348291203	348301203		C	DK GRAY	60°	25°	16.81	14.14	1.77	6.70													
348291204	348301204		D	BLACK	25°	25°	14.14	14.14	6.70	6.70													
348291601	348301601	2x8 WAY HEADER	A	BLACK	60°	60°	19.85	19.85	3.52	3.52	25.53	34.24	57.83	34.54	38.50	OBSOLETE	DESIGN CONCEPT						
348291602	348301602		B	LT GRAY	25°	60°	15.62	19.85	9.87	3.52													
348291603	348301603		C	DK GRAY	60°	25°	19.85	15.62	3.52	9.87													
348291604	348301604		D	BLACK	25°	25°	15.62	15.62	9.87	9.87													
348292001	348302001	2x10 WAY HEADER	A	BLACK	60°	60°	22.88	22.88	5.27	5.27	32.53	41.24	64.83	41.54	45.50	OBSOLETE	SALEABLE						
348292002	348302002		B	LT GRAY	25°	60°	17.10	22.88	13.05	5.27													
348292003	348302003		C	DK GRAY	60°	25°	22.88	17.10	5.27	13.05													
348292004	348302004		D	BLACK	25°	25°	17.10	17.10	13.05	13.05													
	348302006		B	NATURAL	25°	60°	17.10	22.88	13.05	5.27													SALEABLE
	348302007		D	LT GRAY	25°	25°	17.10	17.10	13.05	13.05													SALEABLE

SYMBOLS	THIS DRAWING CONTAINS INFORMATION THAT IS PROPRIETARY TO MOLEX ELECTRONIC TECHNOLOGIES, LLC AND SHOULD NOT BE USED WITHOUT WRITTEN PERMISSION		CURRENT REV DESC:		
	DIMENSION UNITS	SCALE			
▽ = 0	mm	2:1			MX150 DUAL ROW R/A HEADER ASSEMBLY
▽ = 0	GENERAL TOLERANCES (UNLESS SPECIFIED)				
▽ = 0	ANGULAR TOL ± 3.0°				PRODUCT CUSTOMER DRAWING
▽ = 0	4 PLACES ±				
▽ = 0	3 PLACES ±				DOCUMENT NUMBER <b>SD-34829-001</b>
▽ = 0	2 PLACES ± 0.13				
▽ = 0	1 PLACE ± 0.25				DOC TYPE PSD
▽ = 0	0 PLACES ±				
□ = 0	DRAFT WHERE APPLICABLE MUST REMAIN WITHIN DIMENSIONS				DOC PART 001
▽ = 0	THIRD ANGLE PROJECTION				
			DRAWING	SERIES	REVISION A3
			D-SIZE	34829	
			MATERIAL NUMBER	CUSTOMER	SHEET NUMBER 2 OF 3
			SEE TABLE	GENERAL MARKET	

# PCB INTERFACE (FOR REFERENCE ONLY)



DESCRIPTION	DIMENSIONS		
	R	S	T
2X2 HEADER	17.50	26.82	8.61
2X3 HEADER	21.00	30.32	10.36
2X4 HEADER	24.50	33.82	12.11
2X6 HEADER	31.50	40.82	15.61
2X8 HEADER	38.50	47.82	19.11
2X10 HEADER	45.50	54.82	22.61

SYMBOLS	THIS DRAWING CONTAINS INFORMATION THAT IS PROPRIETARY TO MOLEX ELECTRONIC TECHNOLOGIES, LLC AND SHOULD NOT BE USED WITHOUT WRITTEN PERMISSION		
	DIMENSION UNITS	SCALE	CURRENT REV DESC:
▽ = 0	mm	5:1	EC NO: 624158 DRWN: XLDONG03 2019/09/17 CHK'D: JDENG02 2019/09/19 APPR: JDENG02 2019/09/19
▽ = 0	GENERAL TOLERANCES (UNLESS SPECIFIED)		
▽ = 0	ANGULAR TOL	± 3.0°	INITIAL REVISION: DRWN: LSONG05 2012/03/22 APPR: PBERG 2012/05/29
▽ = 0	4 PLACES	±	
▽ = 0	3 PLACES	±	DRWN: LSONG05 2012/03/22 APPR: PBERG 2012/05/29
▽ = 0	2 PLACES	± 0.13	
▽ = 0	1 PLACE	± 0.25	DRAFT WHERE APPLICABLE MUST REMAIN WITHIN DIMENSIONS
▽ = 0	0 PLACES	±	
▽ = 0	THIRD ANGLE PROJECTION		DRAWING
▽ = 0	D-SIZE		SERIES
		34829	MATERIAL NUMBER
		SEE SHEET 2	CUSTOMER
		GENERAL MARKET	SHEET NUMBER
		3 OF 3	

**molex**

MX150 DUAL ROW  
R/A HEADER ASSEMBLY

PRODUCT CUSTOMER DRAWING

DOCUMENT NUMBER	DOC TYPE	DOC PART	REVISION
SD-34829-001	PSD	001	A3