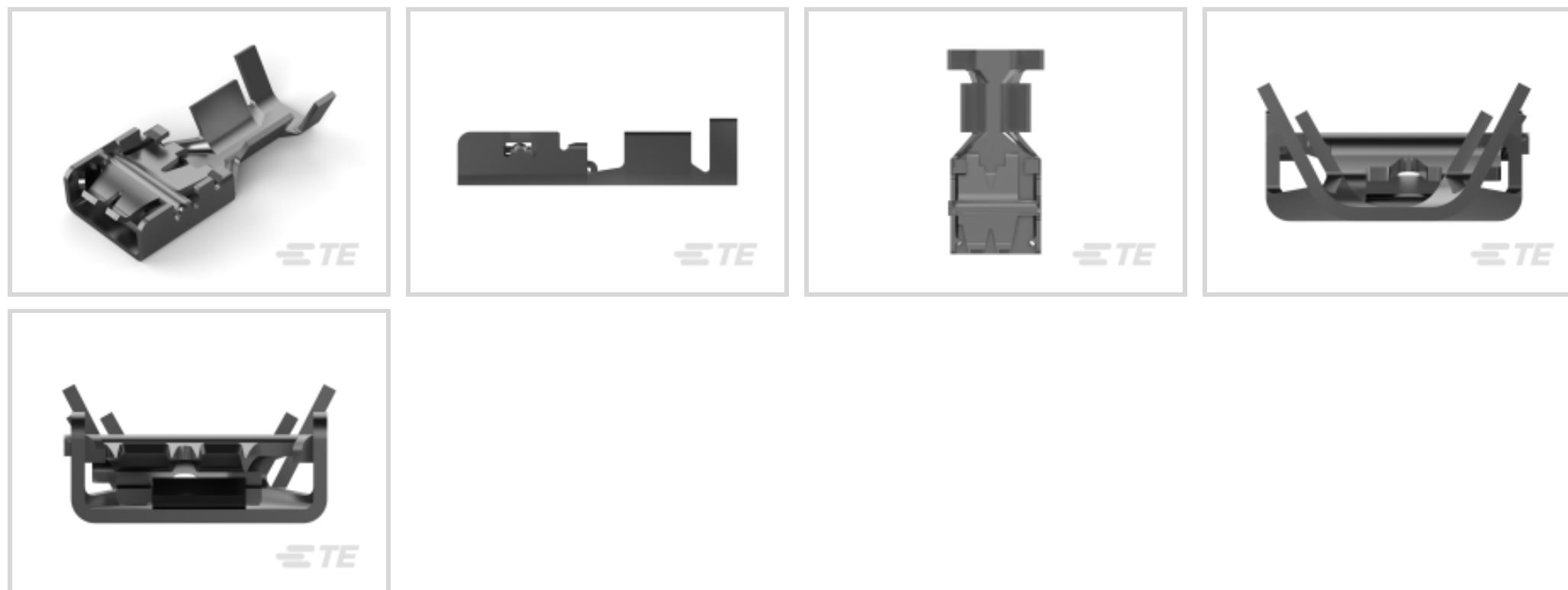




Terminals & Splices > Quick Disconnects



Quick Disconnect Terminal Type: **Receptacle**

Wire Size: **1.03 – 2.62 mm²**

Mating Tab Width: **6.35 mm [.25 in]**

Mating Tab Thickness: **.81 mm [.032 in]**

Features

Product Type Features

Terminates To	Wire & Cable
Wire Stop	No
Wire/Cable Type	Regular Wire
Insertion Force	Low
Sealable	No

Configuration Features

Connection Capacity	Single
---------------------	--------

Electrical Characteristics

Voltage (Max)	240 V
---------------	-------

Contact Features

Quick Disconnect Terminal Type	Receptacle
Mating Tab Width	6.35 mm[.25 in]
Mating Tab Thickness	.81 mm[.032 in]
Terminal Orientation	Straight



Contact Base Material	Brass
Terminal Plating Material	Pre-Tin
Crimp Type	F-Crimp
Barrel Type	Open

Mechanical Attachment

Wire Insulation Support	With
-------------------------	------

Dimensions

Accepts Wire Insulation Diameter Range	3 – 3.6 mm [.118 – .141 in]
Overall Length	17 mm [.669 in]
Receptacle Terminal Stock Thickness	.4 mm [.015 in]
Wire Size	1.03 – 2.62 mm ²

Usage Conditions

Insulation Option	Uninsulated
Operating Temperature Range	-40 – 110 °C [-40 – 230 °F]

Packaging Features

Packaging Quantity	9000
Packaging Method	Strip/Reel

Product Compliance

[For compliance documentation, visit the product page on TE.com>](#)

EU RoHS Directive 2011/65/EU	Compliant
EU ELV Directive 2000/53/EC	Compliant
China RoHS 2 Directive MIIT Order No 32, 2016	No Restricted Materials Above Threshold
EU REACH Regulation (EC) No. 1907/2006	Current ECHA Candidate List: JUNE 2022 (224) Candidate List Declared Against: JAN 2022 (223) SVHC > Threshold: Not Yet Reviewed
Halogen Content	Low Halogen - Br, Cl, F, I < 900 ppm per homogenous material. Also BFR/CFR/PVC Free
Solder Process Capability	Not applicable for solder process capability

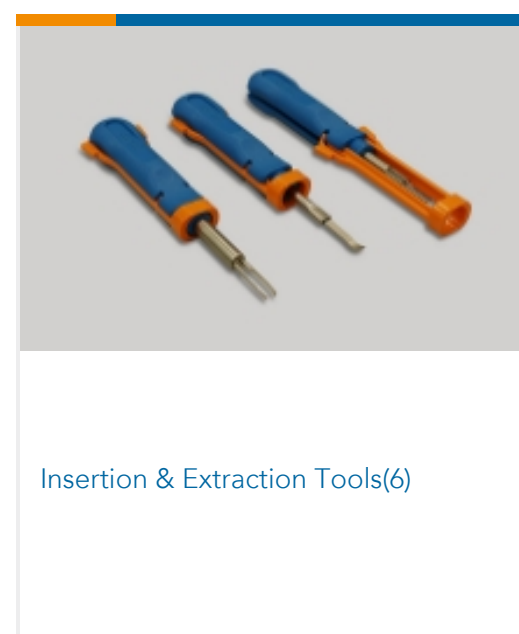
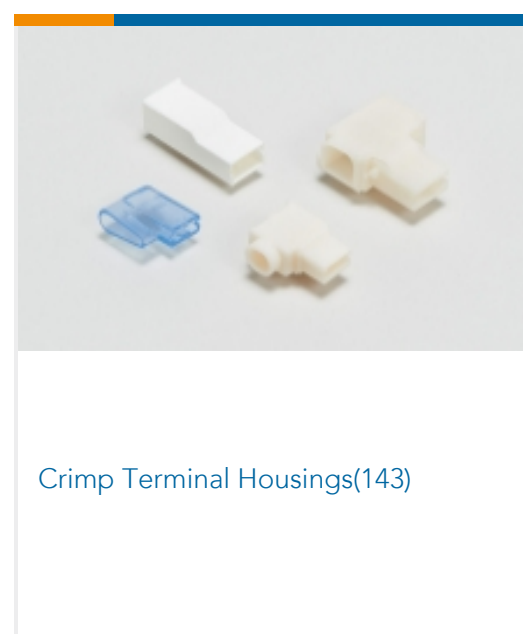
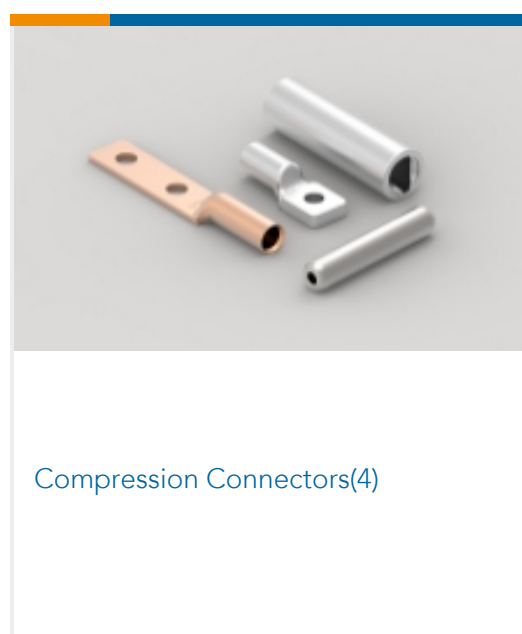
Product Compliance Disclaimer

This information is provided based on reasonable inquiry of our suppliers and represents our current actual knowledge based on the information they provided. This information is subject to change. The part numbers that TE has identified as EU RoHS compliant have a maximum concentration of 0.1% by weight in homogenous materials for lead, hexavalent chromium, mercury, PBB, PBDE, DBP, BBP, DEHP, DIBP, and 0.01% for cadmium, or qualify for an exemption to these limits as defined in the Annexes of Directive 2011/65/EU (RoHS2). Finished electrical and electronic equipment products will be CE marked as required by Directive 2011/65/EU. Components may not be CE marked. Additionally, the part numbers that TE has identified as EU ELV compliant have a maximum concentration of 0.1% by weight in homogenous materials for lead, hexavalent chromium, and mercury, and 0.01% for cadmium, or qualify for an exemption to these limits as defined in the Annexes of Directive 2000/53/EC (ELV). Regarding the REACH Regulation, the information TE provides on SVHC in articles for this part number is based on the latest European Chemicals Agency (ECHA) 'Guidance on requirements for substances in articles' posted at this URL: <https://echa.europa.eu/guidance-documents/guidance-on-reach>

Compatible Parts



Also in the Series | FASTON 250





PCB Terminals(144)

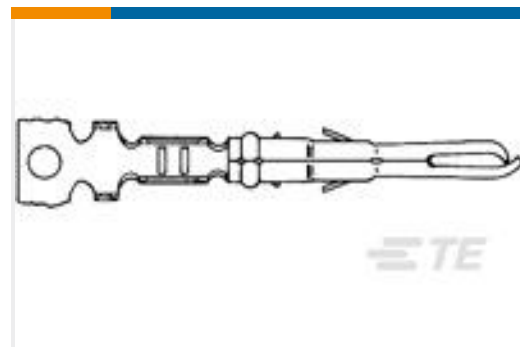
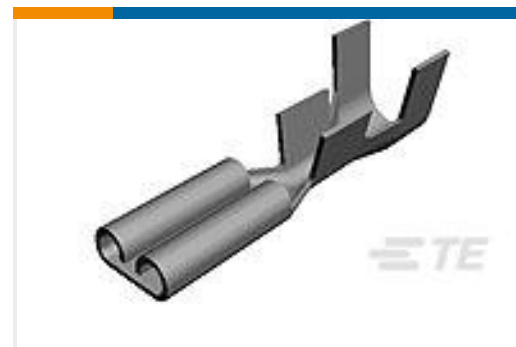


Quick Disconnects(456)



Splices(4)

Customers Also Bought

TE Part #5-1879011-5
SMF2 39K 5%TE Part #350968-2
MR PIN 26-24 AU/PHBZTE Part #5-160430-7
187 FASTON REC 20-16 AWG TPBRTE Part #1676223-2
RN 0805 1K15 0.1% 10PPM 1KRLTE Part #1676452-2
RN 0805 887R 0.1% 10PPM 1KRLTE Part #4-963210-1
2P J-P-T GEH KOMPLTE Part #345160-1
040 SERIES RECEPT.TE Part #1801627-2
2 MAXIFUSES MODULE WIRED V1TE Part #1801432-1
RCPT CONT, 8MM NG1+, MAXIFUSE,
5-6 MM2

Documents

Product Drawings

250 FASTON,E-SPRING REC.,17-14 AWG,PTBR

English

CAD Files

3D PDF

3D

Customer View Model

ENG_CVM_CVM_336076-3_M.2d_dxf.zip



English

Customer View Model

[ENG_CVM_CVM_336076-3_M.3d_igs.zip](#)

English

Customer View Model

[ENG_CVM_CVM_336076-3_M.3d_stp.zip](#)

English

By downloading the CAD file I accept and agree to the [Terms and Conditions](#) of use.

Datasheets & Catalog Pages

[1654742_HOUSEHOLD_APPLIANCES_RAST5](#)

English

[E-Spring Flyer](#)

English

Product Specifications

[E-SPRING CONTACT](#)

English

[Application Specification](#)

English

Product Environmental Compliance

[MD_336076-3_03202018633_dmtec](#)

English

[MD_336076-3_03202018633_dmtec](#)

English

Instruction Sheets

[Instruction Sheet \(non U.S.\)](#)

English

[E-SPRING CONTACT SYSTEM. INSTRUCTIONS FOR MAKING CONNECTION WITH TAB](#)

English

Agency Approvals

[Agency Approval Document](#)

English