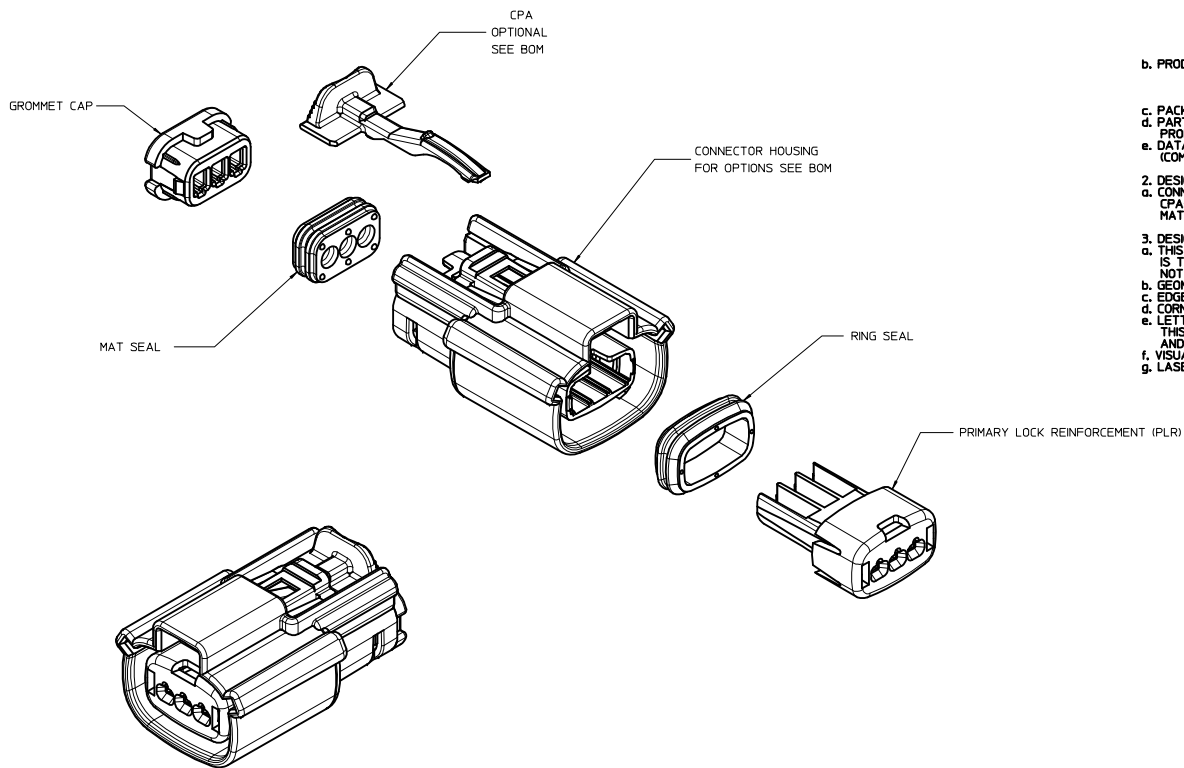


TABLE OF CONTENTS	
SHEET NO.	SHEET DESCRIPTION
1	NOTES
2	KEY CONFIGURATIONS
3	RECEPTACLE SEALED ASSEMBLY
4	BACKSHELL NOTES
5	BACKSHELL
6	BACKSHELL CONFIGURATION
7	BOM



NOTES: VALID UNLESS OTHERWISE SPECIFIED

- 1. GENERAL:
  - a. APPLICATION SPECIFICATION SEE: AS-33472-100
    - CONTAINS: PRODUCT INTRODUCTION, PRODUCT SUMMARY, CONNECTOR ASSEMBLY, PACKAGING INFORMATION, CONNECTOR MATING, SERVICE INSTRUCTIONS, ELECTRICAL CONTINUITY CHECKING, CRIMPING, AND TROUBLESHOOTING.
    - DESIGNED TO MATE WITH DEVICE CONNECTION AS SPECIFIED IN DRAWING EWCAP 150-S-003-1-205, AVAILABLE AT <a href="http://ewcap.uscarteams.org/">http://ewcap.uscarteams.org/.
    - DESIGNED TO MATE WITH BLADE SEALED ASSEMBLY AS SPECIFIED IN DRAWING SD-33481-031
    - FOR 15mm RECEPTACLE TERMINALS TO BE USED WITH THIS ASSEMBLY. SEE MOLEX DRAWING SD-33042-002.
    - SYSTEM TO BE USED WITH WIRE WITHIN DIAMETER RANGE OF 1.2 mm TO 2.69 mm.
    - ASSEMBLY SHIPPED WITH PLR AND CPA IN PRE-LOCK POSITION (SEE SECTION Z-Z PRE-LOCK).
    - IN THE EVENT THAT THE PLR IS FOUND IN THE SEATED (FINAL LOCK) POSITION, REFER TO MOLEX SPECIFICATION PS-34646-001, AVAILABLE AT [www.molex.com](http://www.molex.com) -<http://www.molex.com>.
    - ASSEMBLY CONFORMS TO SAE/USCAR-2 REV.4 WITH THE FOLLOWING EXCEPTIONS: ENGAGEMENT FORCE TO MOVE CPA FROM PRE-LOCK TO FINAL LOCK POSITION WHEN UNMATED: 40N MIN; DISENGAGEMENT FORCE TO MOVE CPA FROM FINAL LOCK TO PRE-LOCK POSITION: 3N MIN, 40N MAX
    - TERMINAL INSERTION FORCE FOR WIRE DIAMETER ABOVE 2.5mm NOT EXCEEDING 2.69mm SHALL NOT EXCEED 40 NEWTONS.
  - b. PRODUCT SPECIFICATION SEE: PS-33471-000
    - CONTAINS: PRODUCT INTRODUCTION, PRODUCT SUMMARY, RATINGS (CURRENT, TEMPERATURE, SEALING, AND FLAMMABILITY), AND PRODUCT VALIDATION.
  - c. PACKAGING SPECIFICATION PER MOLEX DRAWING: PK-31300-635
  - d. PARTS MUST BE IN COMPLIANCE TO MOLEX CHEMICAL SUBSTANCES FOR PRODUCTS AND PACKAGING SPECIFICATION: ES-40000-5046
  - e. DATA MUST BE SUBMITTED UNDER THE MOLEX PART NUMBER TO IMDS (COMPANY ID#13255)
- 2. DESIGN - MATERIALS:
  - a. CONNECTOR HOUSING, GROMMET CAP, PLR: SPS/NYLON BLEND 20% GLASS FILLED
  - CPA: PBT 20% GLASS FILLED
  - MAT SEAL, RING SEAL: INHERENTLY LUBRICATED SILICONE
- 3. DESIGN - GEOMETRY:
  - a. THIS IS A 100% CAD GENERATED PART. THE CAD MATHEMATICAL DATA IS THE MASTER FOR THIS PART. FOR DIMENSIONAL OR ANY INFORMATION NOT SHOWN ON THIS DRAWING, ANALYZE THE CAD MODEL.
  - b. GEOMETRIC DIMENSIONS AND TOLERANCES PER ASME Y14.5M - 1994
  - c. EDGES AND UNDIMENSIONED DETAILS PER ISO13715
  - d. CORNERS SHOWN AS SHARP TO BE R 0.2 MAX.
  - e. LETTERING SHALL BE 0.15 MAX RAISED IN 0.25 MAX RECESS PAD. THIS INCLUDES RECYCLING CODE, CAVITY ID, VENDOR IDENTIFICATION, AND CUSTOMER MATERIAL NUMBER.
  - f. VISUAL DEFECTS SHALL MEET COSMETIC STANDARD PS-45499-002 (Class B)
  - g. LASER MARKING: TBD

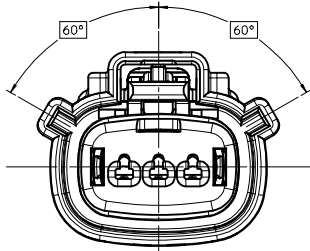
INSPECTION NUMBER LOG  
 LAST NUMBER USED: 5  
 ADDED:  
 REMOVED:

REV	DESCRIPTION
Q7	ADD NEW P/NS 33471-33XX
Q6	UPDATED VIEWS
Q5	ADD BACKSHELL CONFIGURATION
Q4	ADD NEW P/N 33471-0347
Q3	334710345 IS SAME AS 334710340 SQ VOID 334710345
Q2	CHANGE THE STATUS TO SALEABLE
Q1	UPDATED NOTES
Q	REDRAWN

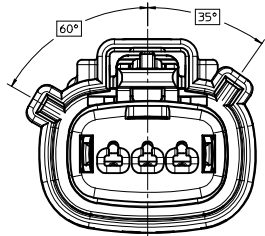
ENTER DESCRIPTION IEC NO: UAU2018-0229 DRWN: SONGS 2017/09/22 CHKD: MYANSLANBR01/2017/09/22 APPR: MYANSLANBR01/2017/09/26	QUALITY SYMBOLS	GENERAL TOLERANCES (UNLESS SPECIFIED)	DIMENSION STYLE	SCALE	DESIGN UNITS	THIRD ANGLE PROJECTION	
	∇=0 ∇=0 ∇=0	4 PLACES ± .005 3 PLACES ± .003 2 PLACES ± 0.1 1 PLACE ± 0.30 0 PLACE ±	mm INCH ± .005 ± .0008 ± .003 ± .0005 ± .001 ± .0003 ± .001 ± .0003 ± .001 ± .0003 ± .001 ± .0003	MM ONLY	3:1	METRIC	DRAWN BY: DMARCOUX DATE: 06/18/2002 CHECKED BY: DATE: DGRIFITHS DATE: 6/18/2002 APPROVED BY: DATE: FHOLUB 06/18/2002
	TITLE	ANGULAR ± 3 °	MATERIAL NO.	MX150 1X3 RECEPTACLE SEALED ASSEMBLY MAT SEAL <b>molex</b>			
	Q7	DRAFT WHERE APPLICABLE MUST REMAIN WITHIN DIMENSIONS	SEE BOM	DOCUMENT NO.	SD-33471-031		SHEET NO. 1 OF 7

THIS DRAWING CONTAINS INFORMATION THAT IS PROPRIETARY TO MOLEX INCORPORATED AND SHOULD NOT BE USED WITHOUT WRITTEN PERMISSION

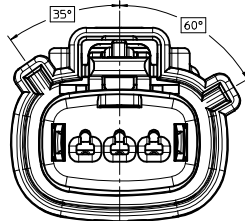
KEY CONFIGURATIONS



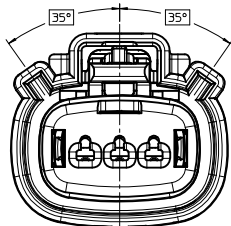
KEY A



KEY B



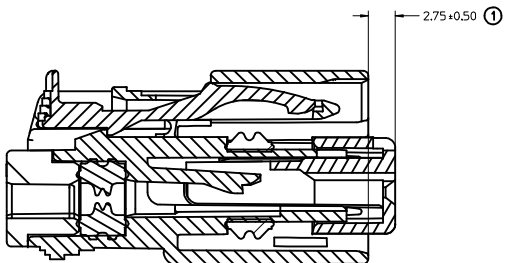
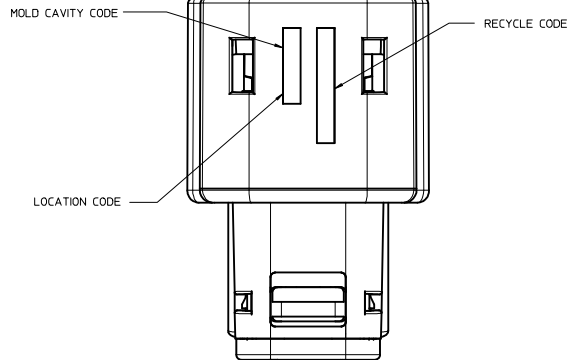
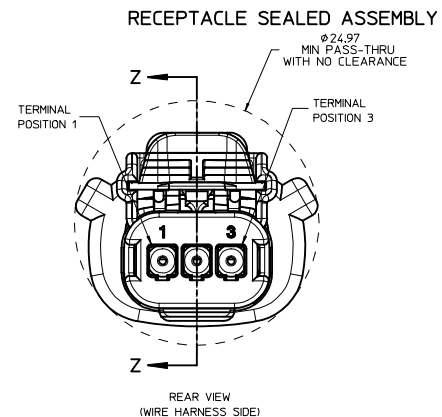
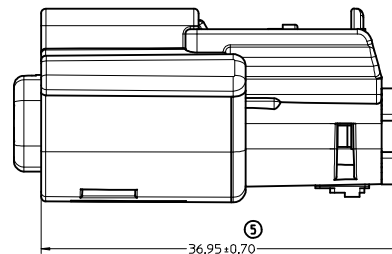
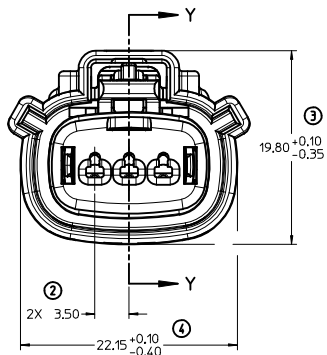
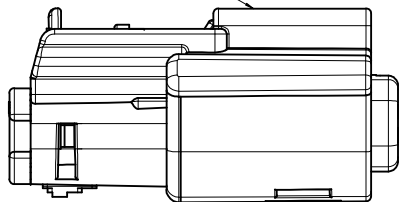
KEY C



KEY D

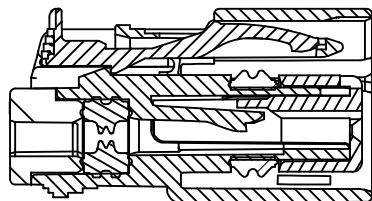
<b>ENTER DESCRIPTION</b> IEC NO. UAU2018-0229 DRAWN: SONG05 2017/09/22 CHECKED: VANSI.AMBROU 2017/09/22 APPR: VANSI.AMBROU 2017/09/26 Q7 REVISIONS DESCRIPTION	QUALITY SYMBOLS	GENERAL TOLERANCES (UNLESS SPECIFIED)	DIMENSION STYLE	SCALE	DESIGN UNITS	THIRD ANGLE PROJECTION
	▽=0	mm INCH	MM ONLY	4:1	METRIC	☉
	▽=0	4 PLACES ± --- ± ---	DRAWN BY DATE			TITLE
	▽=0	3 PLACES ± 0.1 ± ---	DMARCOUX 06/18/2002			MX150 1X3 RECEPTACLE SEALED ASSEMBLY MAT SEAL
	2 PLACES ± 0.30 ± ---	CHECKED BY DATE				
	1 PLACE ± ±	DGRIFITHS 6/18/2002				
	0 PLACE ± ±	APPROVED BY DATE				
		FHOLUB 06/18/2002				
		ANGULAR ± 3 °	MATERIAL NO.		DOCUMENT NO.	SHEET NO.
		DRAFT WHERE APPLICABLE MUST REMAIN WITHIN DIMENSIONS	SEE BOM		SD-33471-031	2 OF 7
			SIZE D	THIS DRAWING CONTAINS INFORMATION THAT IS PROPRIETARY TO MOLEX INCORPORATED AND SHOULD NOT BE USED WITHOUT WRITTEN PERMISSION		

LASER MARKING ON THIS SURFACE  
SEE NOTE 3g.



PRIMARY LOCK REINFORCEMENT (PLR) SHOWN  
IN PRE-STAGED POSITION

SECTION Z-Z

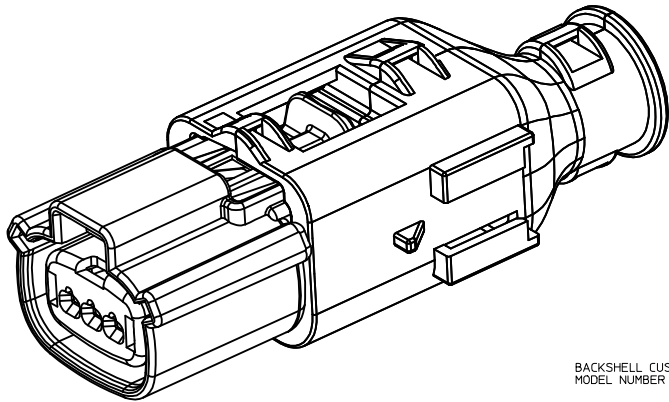
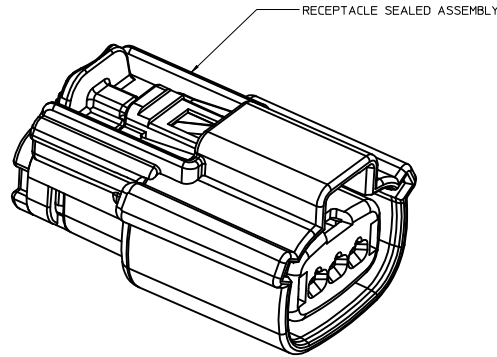
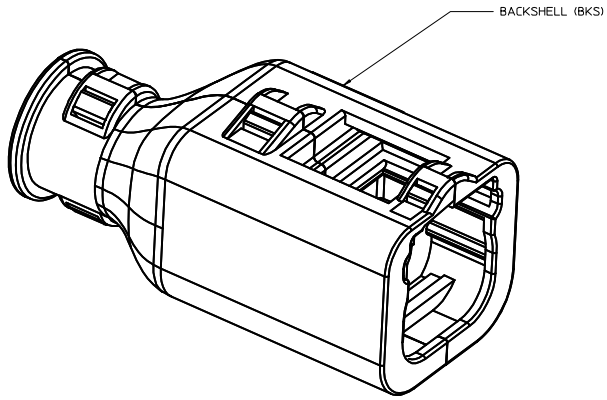


PRIMARY LOCK REINFORCEMENT (PLR) SHOWN  
IN FINAL LOCK POSITION

SECTION Y-Y

<b>ENTER DESCRIPTION</b> IEC NO. UAU2018-0229 DRAWN BY 2017/09/22 CHYKCHONGSONG CHECKED BY ANSILANBRROU/2017/09/22 APPROVED BY ANSILANBRROU/2017/09/26 REV. Q7	QUALITY SYMBOLS	GENERAL TOLERANCES (UNLESS SPECIFIED)	DIMENSION STYLE	SCALE	DESIGN UNITS	THIRD ANGLE PROJECTION
	∇=0 ∇=0 ∇=0	mm INCH 4 PLACES ± --- ± --- 3 PLACES ± --- ± --- 2 PLACES ± 0.1 ± --- 1 PLACE ± 0.30 ± --- 0 PLACE ± ±	MM ONLY	4:1	METRIC	TITLE MX150 1X3 RECEPTACLE SEALED ASSEMBLY MAT SEAL <b>molex</b>
	ANGULAR ± 3 ° DRAFT WHERE APPLICABLE MUST REMAIN WITHIN DIMENSIONS	DRAWN BY DATE DMARCOUX 06/18/2002 CHECKED BY DATE DGRIFITHS 6/18/2002 APPROVED BY DATE FHOLUB 06/18/2002	MATERIAL NO. SEE BOM	DOCUMENT NO. SD-33471-031	SHEET NO. 3 OF 7	
	THIS DRAWING CONTAINS INFORMATION THAT IS PROPRIETARY TO MOLEX INCORPORATED AND SHOULD NOT BE USED WITHOUT WRITTEN PERMISSION					

BACKSHELL NOTES



BACKSHELL NOTES: VALID UNLESS OTHERWISE SPECIFIED

1. GENERAL:

a. APPLICATION SPECIFICATION SEE: AS-34951-001

- DESIGNED TO MATE WITH RECEPTACLE SEALED ASSEMBLY SPECIFIED IN MOLEX DRAWING SD-33471-031.
- SYSTEM TO BE USED WITH WIRE WITH DIAMETER RANGE OF 1.2mm TO 2.69mm.
- COMPONENTS ARE OPTIONAL AND MUST BE PURCHASED SEPARATELY.
- BACKSHELL DESIGN IS OWNED BY SCHLEMMER.
- FOR ADDITIONAL INFORMATION SEE THE BACKSHELL COMPONENT DRAWING SD-34949-0001.

BACKSHELL CUSTOMER MODEL NUMBER LEGEND

34949-XXXX

CUSTOMER MODEL COMPONENTS

- 0 - BACKSHELL ONLY
- 1 - BACKSHELL & MX150 HOUSING KEY A ASSEMBLY
- 2 - BACKSHELL & MX150 HOUSING KEY B ASSEMBLY
- 3 - BACKSHELL & MX150 HOUSING KEY C ASSEMBLY
- 4 - BACKSHELL & MX150 HOUSING KEY D ASSEMBLY

BACKSHELL FEATURES

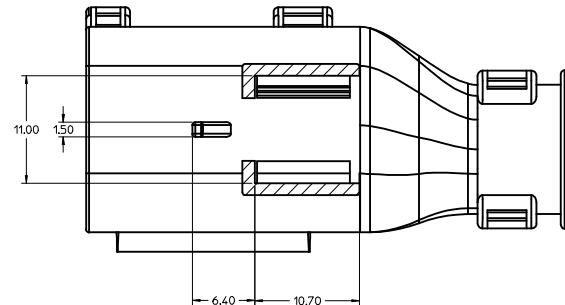
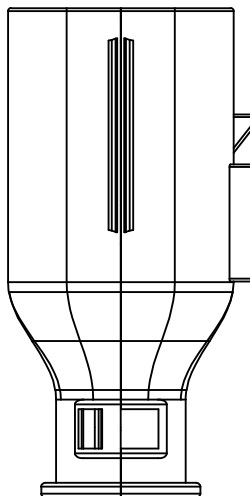
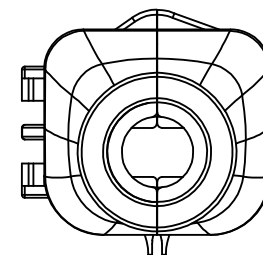
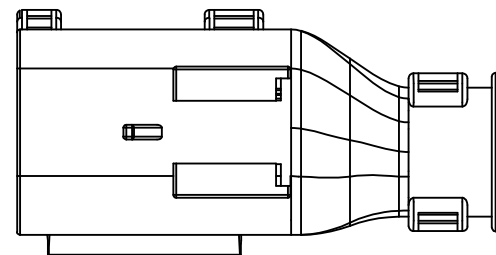
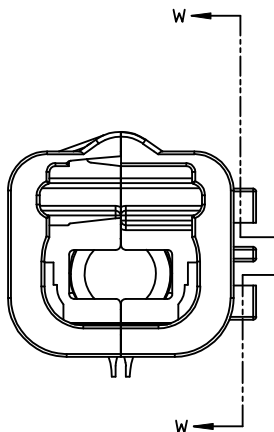
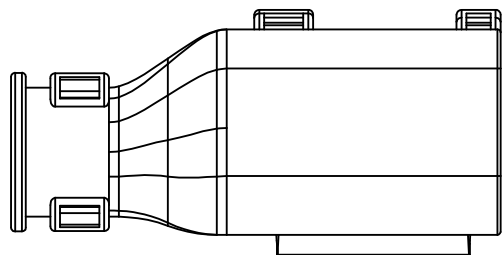
- 1 - WITH RIBS
- 2 - WITHOUT RIBS

MX150 CIRCUIT SIZE 02, 03, 04, 05, 06

<b>ENTER DESCRIPTION</b> IEC NO. UAU2018-0229 DRAWN BY 2017/09/22 CHKD BY ANS/ANBR01/2017/09/22 APPR BY ANS/ANBR01/2017/09/26	<b>QUALITY SYMBOLS</b> ∇=0 ∇=0 ∇=0	<b>GENERAL TOLERANCES (UNLESS SPECIFIED)</b>		<b>DIMENSION STYLE</b> MM ONLY	SCALE 4:1	DESIGN UNITS METRIC	THIRD ANGLE PROJECTION	
		4 PLACES ± mm ± INCH	3 PLACES ± --- ± ---	DRAWN BY DMARCOUX	DATE 06/18/2002	TITLE MX150 1X3 RECEPTACLE SEALED ASSEMBLY MAT SEAL		
		2 PLACES ± 0.1 ± ---	1 PLACE ± 0.30 ± ---	CHECKED BY DGRIFITHS	DATE 6/18/2002	MATERIAL NO. SEE BOM		
		0 PLACE ± ±	ANGULAR ± 3 °	APPROVED BY FHOLUB	DATE 06/18/2002	DOCUMENT NO. SD-33471-031	SHEET NO. 4 OF 7	
DRAFT WHERE APPLICABLE MUST REMAIN WITHIN DIMENSIONS		SIZE D		THIS DRAWING CONTAINS INFORMATION THAT IS PROPRIETARY TO MOLEX INCORPORATED AND SHOULD NOT BE USED WITHOUT WRITTEN PERMISSION				

20 19 18 17 16 15 14 13 12 11 10 9 8 7 6 5 4 3 2 1

BACKSHELL  
THE VIEWS ON THIS SHEET ARE  
IN THE CLOSED UN-ASSEMBLED POSITION

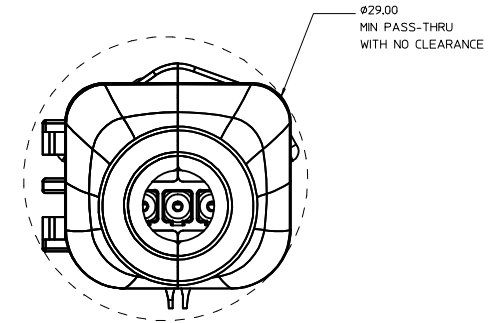
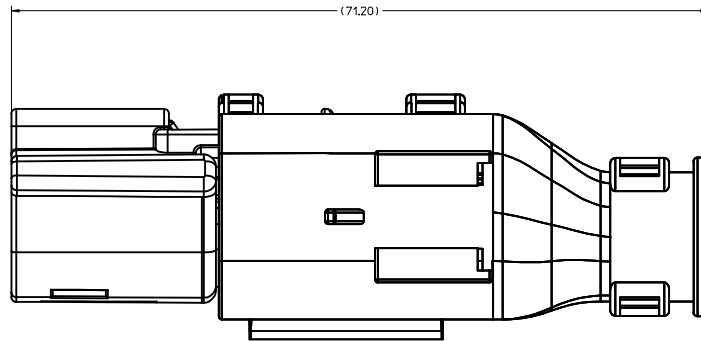


SECTION W-W

<b>ENTER DESCRIPTION</b> IEC NO. UAU2018-0229 DRAWN: SONGS 2017/09/22 CHECKED: WANSI, ANBROU 2017/09/22 APPR: WANSI, ANBROU 2017/09/26	QUALITY SYMBOLS	GENERAL TOLERANCES (UNLESS SPECIFIED)		DIMENSION STYLE	SCALE	DESIGN UNITS	THIRD ANGLE PROJECTION
	▽=0	mm	INCH	MM ONLY	4:1	METRIC	☉
	▽=0	4 PLACES ±	3 PLACES ±	DMARCOUX	DATE	TITLE	
	▽=0	2 PLACES ±0.1	1 PLACE ±0.30	0 PLACE ±	CHECKED BY	DATE	MX150 1X3 RECEPTACLE SEALED ASSEMBLY MAT SEAL
REV	DESCRIPTION	ANGULAR ± 3 °		MATERIAL NO.	APPROVED BY	DATE	DOCUMENT NO.
Q7		DRAFT WHERE APPLICABLE MUST REMAIN WITHIN DIMENSIONS		SEE BOM	FHOLUB	06/18/2002	SD-33471-031
				SIZE	THIS DRAWING CONTAINS INFORMATION THAT IS PROPRIETARY TO MOLEX INCORPORATED AND SHOULD NOT BE USED WITHOUT WRITTEN PERMISSION		SHEET NO. 5 OF 7

19 18 17 16 15 14 13 12 11 10 9 8 7 6 5 4 3 2 1

BACKSHELL CONFIGURATIONS



RECEPTACLE SEALED ASSEMBLY WITH RECEPTACLE BACKSHELL

ENTER DESCRIPTION IEC NO. UAU2018-0229 DRAWN: SONGS 2017/09/22 CHECKED: VANSI ANBROU 2017/09/22 APPR: VANSI ANBROU 2017/09/26 Q7 REV DESCRIPTION	QUALITY SYMBOLS ▽=0 ▽=0 ▽=0		GENERAL TOLERANCES (UNLESS SPECIFIED) <table border="1"> <thead> <tr> <th></th> <th>mm</th> <th>INCH</th> </tr> </thead> <tbody> <tr> <td>4 PLACES</td> <td>± 0.1</td> <td>± 0.004</td> </tr> <tr> <td>3 PLACES</td> <td>± 0.15</td> <td>± 0.006</td> </tr> <tr> <td>2 PLACES</td> <td>± 0.2</td> <td>± 0.008</td> </tr> <tr> <td>1 PLACE</td> <td>± 0.30</td> <td>± 0.012</td> </tr> <tr> <td>0 PLACE</td> <td>± 0.4</td> <td>± 0.016</td> </tr> </tbody> </table>			mm	INCH	4 PLACES	± 0.1	± 0.004	3 PLACES	± 0.15	± 0.006	2 PLACES	± 0.2	± 0.008	1 PLACE	± 0.30	± 0.012	0 PLACE	± 0.4	± 0.016	DIMENSION STYLE MM ONLY		SCALE 4:1	DESIGN UNITS METRIC	THIRD ANGLE PROJECTION
		mm	INCH																								
	4 PLACES	± 0.1	± 0.004																								
	3 PLACES	± 0.15	± 0.006																								
2 PLACES	± 0.2	± 0.008																									
1 PLACE	± 0.30	± 0.012																									
0 PLACE	± 0.4	± 0.016																									
DRAFT WHERE APPLICABLE MUST REMAIN WITHIN DIMENSIONS			ANGULAR ± 3 °		DRAWN BY DMARCOUX	DATE 06/18/2002	TITLE MX150 1X3 RECEPTACLE SEALED ASSEMBLY MAT SEAL																				
			MATERIAL NO. SEE BOM		APPROVED BY FHOLUB	DATE 06/18/2002	DOCUMENT NO. SD-33471-031	SHEET NO. 6 OF 7																			
THIS DRAWING CONTAINS INFORMATION THAT IS PROPRIETARY TO MOLEX INCORPORATED AND SHOULD NOT BE USED WITHOUT WRITTEN PERMISSION																											

