

TABLE OF CONTENTS	
SHEET NO.	SHEET DESCRIPTION
1	NOTES AND BOM
2	CONFIGURATIONS
3-4	KEY CONFIGURATIONS
5	RECEPTACLE CONNECTOR ASSEMBLY
6	BACKSHELL NOTES
7	BACKSHELL
8	BACKSHELL CONFIGURATIONS

NOTES: VALID UNLESS OTHERWISE SPECIFIED

1. GENERAL:
- a. APPLICATION SPECIFICATION SEE: AS-33472-100
- CONTAINS: PRODUCT INTRODUCTION, PRODUCT SUMMARY, CONNECTOR ASSEMBLY, PACKAGING INFORMATION, CONNECTOR MATING, SERVICE INSTRUCTIONS, ELECTRICAL CONTINUITY CHECKING, CRIMPING, AND TROUBLESHOOTING.
  - DESIGNED TO MATE WITH DEVICE OR CONNECTOR AS SPECIFIED IN THE MATING INTERFACE/CONNECTOR DRAWINGS CHART.
  - \*DENOTES DRAWINGS THAT CAN BE ACCESSED AT <<http://ewcap.uscarteams.org/>>.
  - ASSEMBLY SHIPPED WITH PLR IN PRE-LOCK POSITION (SEE PLR PRE-LOCK VIEW SHEET 5).

- b. PRODUCT SPECIFICATION SEE:
- STANDARD CONFIGURATION: PS-33471-000
  - UL V0 CONFIGURATION: PS-160105-0001
  - CONTAINS: PRODUCT INTRODUCTION, PRODUCT SUMMARY, RATINGS (CURRENT, TEMPERATURE, SEALING, AND FLAMMABILITY), TERMINALS, WIRE DIAMETER RANGE, PRODUCT VALIDATION, AND PRODUCT DEVIATIONS.

c. PACKAGING SPECIFICATION PER MOLEX DRAWING: SEE PACKAGING CHART

d. PARTS MUST BE IN COMPLIANCE TO MOLEX CHEMICAL SUBSTANCES FOR PRODUCTS AND PACKAGING SPECIFICATION: QEHS-699000-301

e. DATA MUST BE SUBMITTED UNDER THE MOLEX PART NUMBER TO IMDS (COMPANY ID#13255)

2. DESIGN - MATERIALS:

- a. FOR BILL OF MATERIALS SEE:
- STANDARD CONFIGURATION SD-33471-0002
  - UL V0 CONFIGURATION SD-160105-0002

3. DESIGN - GEOMETRY:

a. THE 3-D CAD DATA IS BASIC (WITHOUT TOLERANCE) AND MASTER FOR THIS PART WITH THE EXCEPTION OF UNDERLINED DIMENSIONS. DIMENSIONAL INFORMATION NOT SHOWN ON THIS DRAWING IS DEFINED BY THE DATA FILE AT ITS LATEST REVISION.

b. GEOMETRIC DIMENSIONS AND TOLERANCES PER ASME Y14.5M-2009

c. EDGES AND UNDIMENSIONED DETAILS PER ISO13715

d. CORNERS SHOWN AS SHARP TO BE R 0.2 MAX.

e. LETTERING SHALL BE 0.15 MAX RAISED IN 0.25 MAX RECESS PAD. THIS INCLUDES RECYCLING CODE, CAVITY ID, VENDOR IDENTIFICATION, AND CUSTOMER MATERIAL NUMBER.

f. VISUAL DEFECTS SHALL MEET COSMETIC STANDARD PS-45499-002 (Class B).

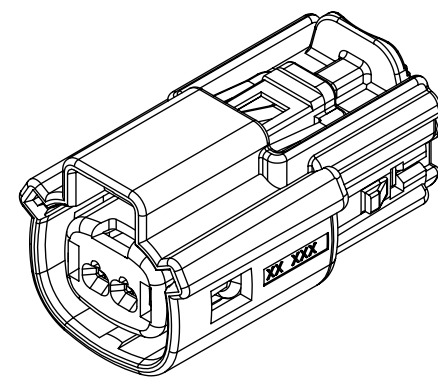
g. LASER MARKING:

- PART NUMBER
- DAY OF THE YEAR
- SHIFT
- YEAR

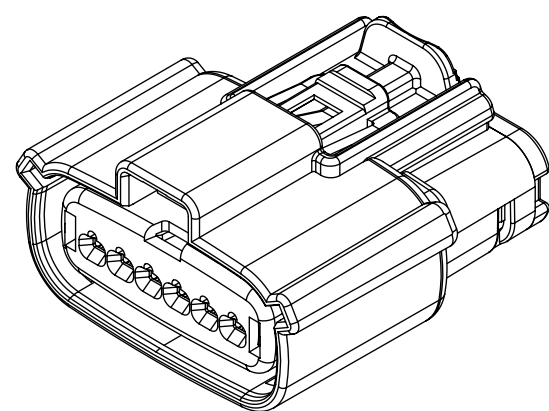
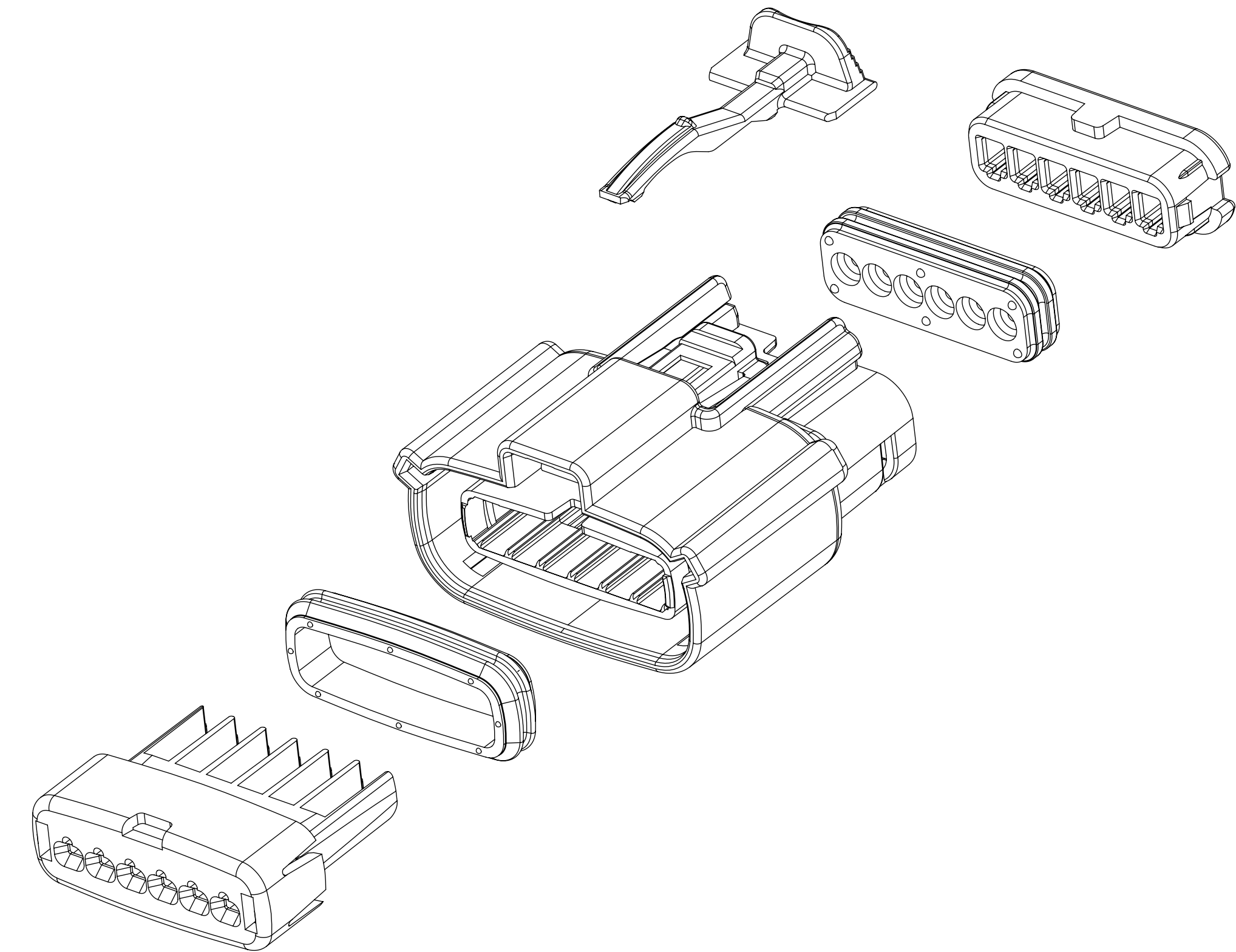
FOR ADDITIONAL INFORMATION SEE SECTION 5 UNDER PROCEDURES IN ES-34735-008.

PACKAGING	
DESCRIPTION	DRAWING NO.
1X2	PK-31300-635
1X6	PK-31300-903

MATING INTERFACE/CONNECTOR DRAWINGS		
DESCRIPTION	INTERFACE DEFINITION	MOLEX INLINE
1X2	*150-S-002-1-Z05	SD-33481-0001
1X6	*150-S-006-1-Z03	SD-33481-0001



1x2



1x6

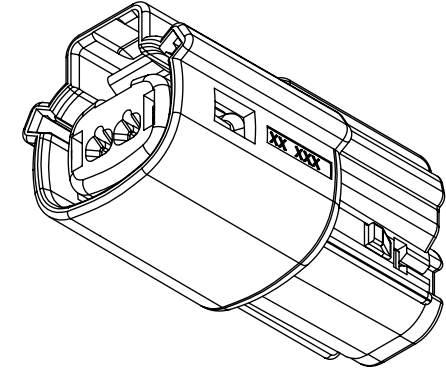
REV	REV DESCRIPTION
A1	UPDATED THE DRAWING FRAME
A	MINOR GEOMETRY CHANGE FOR UL V0
2	UPDATE VIEWSETS
1	INITIAL RELEASE

INSPECTION NUMBER LOG	
LAST NUMBER: 11	ADDED: 11
REMOVED:	

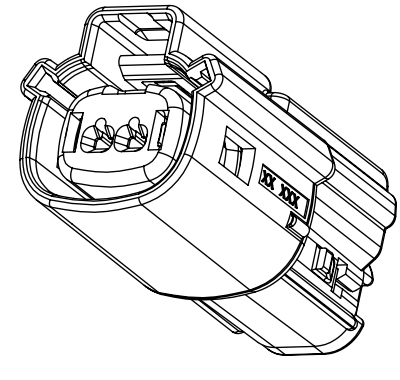
FUNCTIONAL SYMBOLS	THIS DRAWING CONTAINS INFORMATION THAT IS PROPRIETARY TO MOLEX ELECTRONIC TECHNOLOGIES, LLC AND SHOULD NOT BE USED WITHOUT WRITTEN PERMISSION		CURRENT REV DESC:				
	$\nabla_A = 0$ $\nabla_C = 0$ $\nabla_P = 0$	DIMENSION UNITS: <b>mm</b> SCALE: <b>1.5:1</b>	EC NO: 643941 DRWN: XLDONG03 2020/08/21 CHK'D: JDENG02 2020/08/26 APPR: JDENG02 2020/08/26			<b>MX150 RCPT</b> <b>SINGLE ROW SEALED ASSY MAT SEAL</b> <b>PRODUCT CUSTOMER DRAWING</b>	
DIVISIONAL SYMBOLS	GENERAL TOLERANCES (UNLESS SPECIFIED) ANGULAR TOL $\pm 1.0^\circ$	4 PLACES $\pm$ 3 PLACES $\pm$ 2 PLACES $\pm 0.1$ 1 PLACE $\pm 0.2$ 0 PLACES $\pm$	INITIAL REVISION: DRWN: APROFFITT 2015/11/04 APPR: KDEKOSHI 2016/06/14	DOCUMENT NUMBER: <b>SD-33471-0001</b> DOC TYPE: PSD DOC PART: 001 REVISION: <b>A1</b>			
DRAFT WHERE APPLICABLE MUST REMAIN WITHIN DIMENSIONS		THIRD ANGLE PROJECTION	DRAWING: <b>D-SIZE</b>	SERIES: <b>33471</b>	MATERIAL NUMBER: SEE NOTE 2a	CUSTOMER: GENERAL MARKET	SHEET NUMBER: 1 OF 8

# SHEET DESCRIPTION

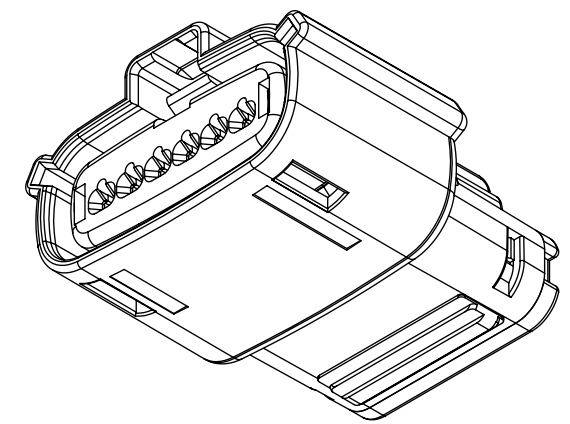
## CONFIGURATIONS



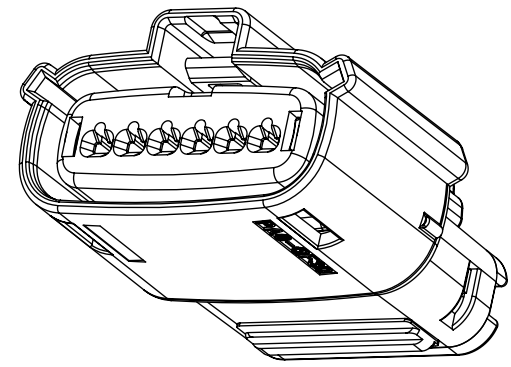
1x2 - STD



1x2 - UL V0\*



1x6 - STD



1x6 - UL V0\*

\*MINOR GEOMETRY DIFFERENCE THAN STANDARD CONFIGURATION  
SEE NOTES 1 & 2 FOR MORE INFORMATION

FUNCTIONAL SYMBOLS	THIS DRAWING CONTAINS INFORMATION THAT IS PROPRIETARY TO MOLEX ELECTRONIC TECHNOLOGIES, LLC AND SHOULD NOT BE USED WITHOUT WRITTEN PERMISSION		
	DIMENSION UNITS	SCALE	CURRENT REV DESC:
$\nabla_A = 0$	mm	1.5:1	EC NO: 643941 DRWN: XLDONG03 2020/08/21 CHK'D: JDENG02 2020/08/26 APPR: JDENG02 2020/08/26 INITIAL REVISION: DRWN: APROFFITT 2015/11/04 APPR: KDEKOSKI 2016/06/14
$\nabla_C = 0$	GENERAL TOLERANCES (UNLESS SPECIFIED)		
$\nabla_D = 0$	ANGULAR TOL $\pm 1.0^\circ$		
DIVISIONAL SYMBOLS	4 PLACES	$\pm$	
	3 PLACES	$\pm$	
	2 PLACES	$\pm 0.1$	
	1 PLACE	$\pm 0.2$	
	0 PLACES	$\pm$	
DRAFT WHERE APPLICABLE MUST REMAIN WITHIN DIMENSIONS		THIRD ANGLE PROJECTION	DRAWING: D-SIZE SERIES: 33471
DOCUMENT STATUS		RELEASE DATE	DOCUMENT NUMBER: SD-33471-0001 DOC TYPE: PSD DOC PART: 001 REVISION: A1
P1	2020/08/26	07:23:52	MATERIAL NUMBER: SEE NOTE 2a CUSTOMER: GENERAL MARKET SHEET NUMBER: 2 OF 8

# molex

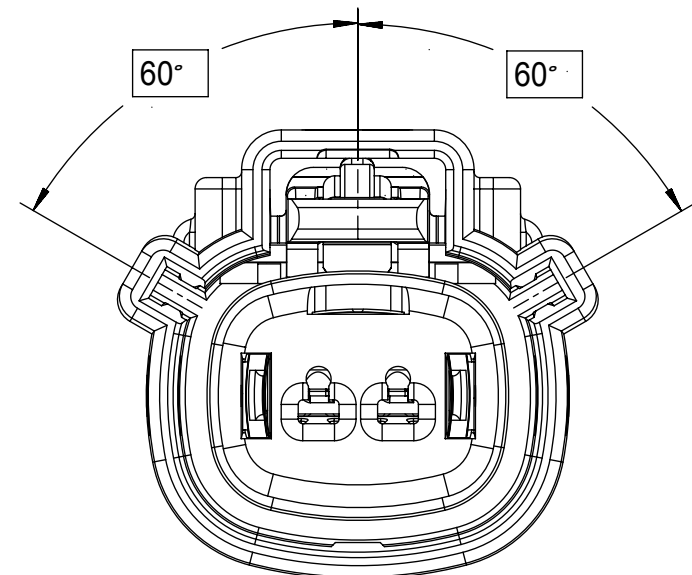
MX150 RCPT  
SINGLE ROW SEALED ASSY MAT SEAL

PRODUCT CUSTOMER DRAWING

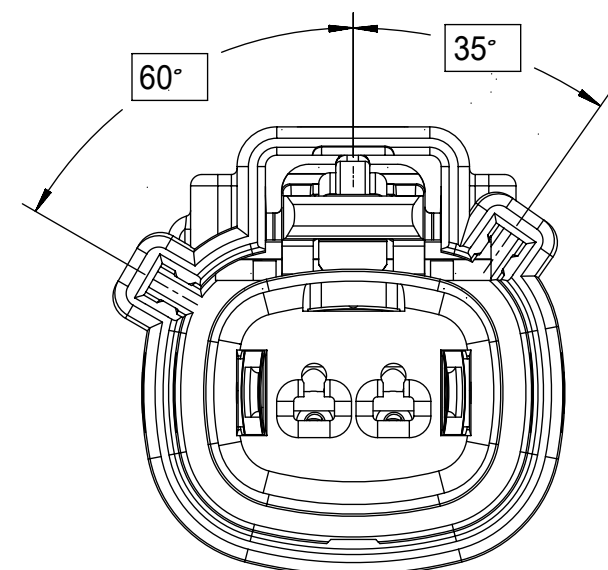
**SHEET DESCRIPTION**

KEY CONFIGURATIONS

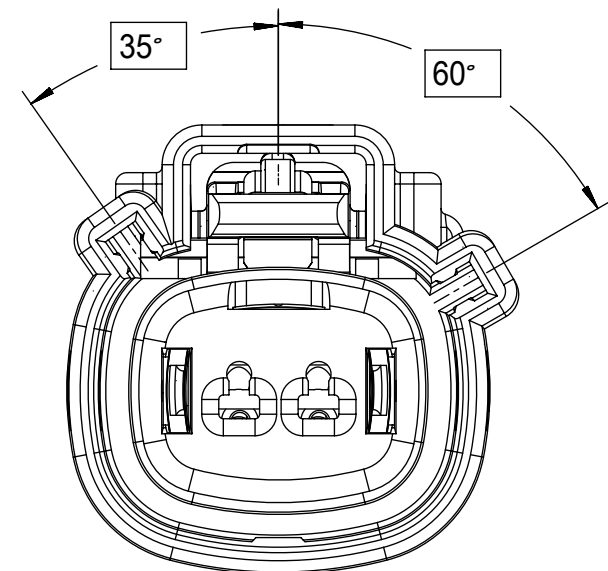
1X2



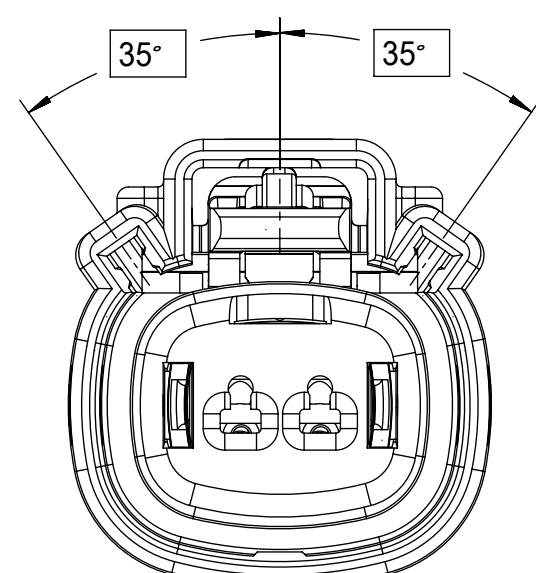
KEY A



KEY B



KEY C



KEY D

FUNCTIONAL SYMBOLS	THIS DRAWING CONTAINS INFORMATION THAT IS PROPRIETARY TO MOLEX ELECTRONIC TECHNOLOGIES, LLC AND SHOULD NOT BE USED WITHOUT WRITTEN PERMISSION		
	DIMENSION UNITS	SCALE	CURRENT REV DESC:
$F_A = 0$	mm	3:1	EC NO: 643941 DRWN: XLDONG03 2020/08/21 CHK'D: JDENG02 2020/08/26 APPR: JDENG02 2020/08/26
$F_C = 0$	GENERAL TOLERANCES (UNLESS SPECIFIED)		
$F_P = 0$	ANGULAR TOL ± 1.0°		
	4 PLACES	±	
DIVISIONAL SYMBOLS	3 PLACES	±	INITIAL REVISION: DRWN: APROFFITT 2015/11/04 APPR: KDEKOSKI 2016/06/14
	2 PLACES	± 0.1	
	1 PLACE	± 0.2	
	0 PLACES	±	
DRAFT WHERE APPLICABLE MUST REMAIN WITHIN DIMENSIONS		THIRD ANGLE PROJECTION	DRAWING: D-SIZE SERIES: 33471
DOCUMENT STATUS		DOCUMENT NUMBER	MATERIAL NUMBER: SEE NOTE 2a CUSTOMER: GENERAL MARKET
P1	RELEASE DATE	DOC TYPE	REVISION: A1 SHEET NUMBER: 3 OF 8
2020/08/26 07:23:52	PSD	001	

**molex**

MX150 RCPT  
SINGLE ROW SEALED ASSY MAT SEAL

PRODUCT CUSTOMER DRAWING

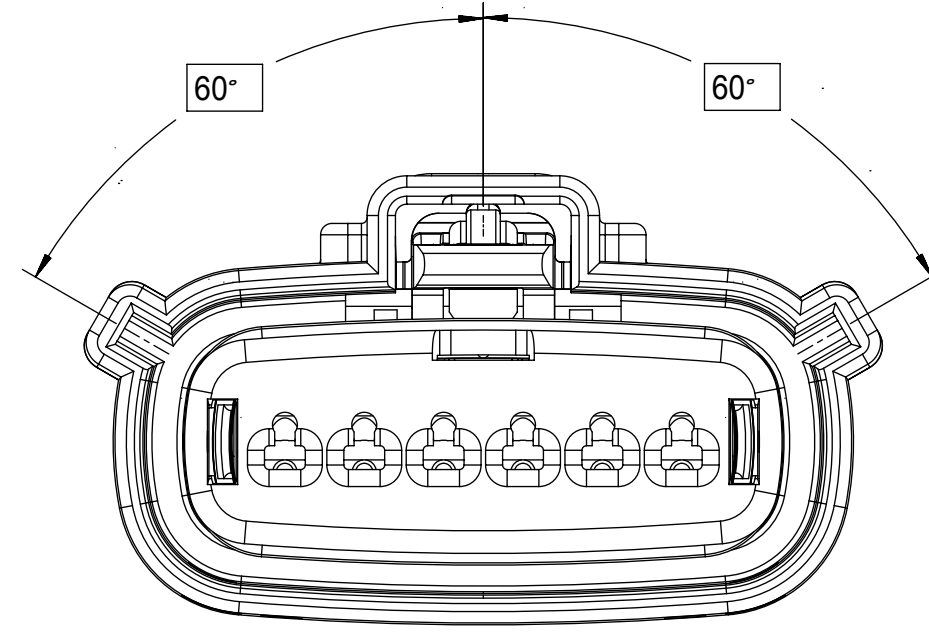
SD-33471-0001

PSD 001 A1

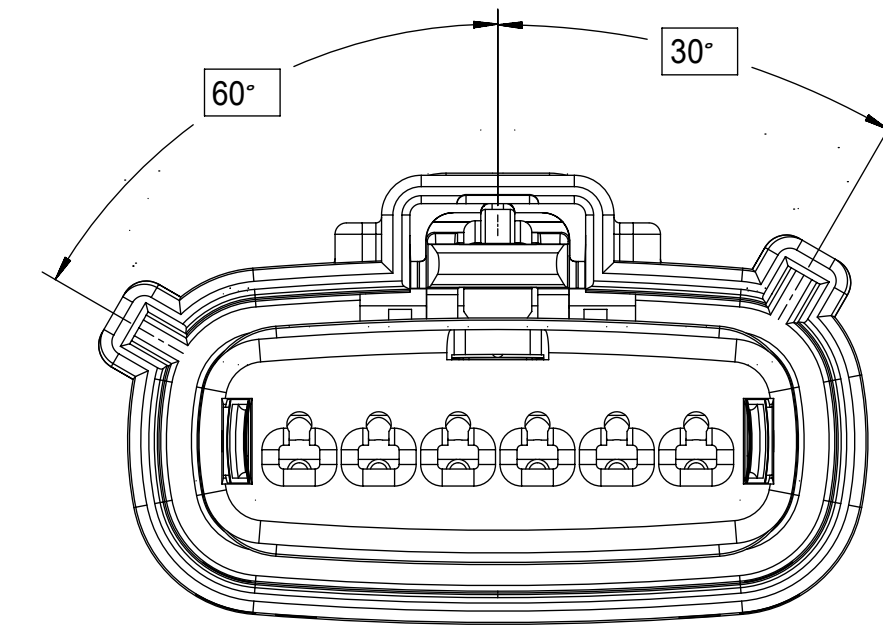
**SHEET DESCRIPTION**

KEY CONFIGURATIONS CONT.

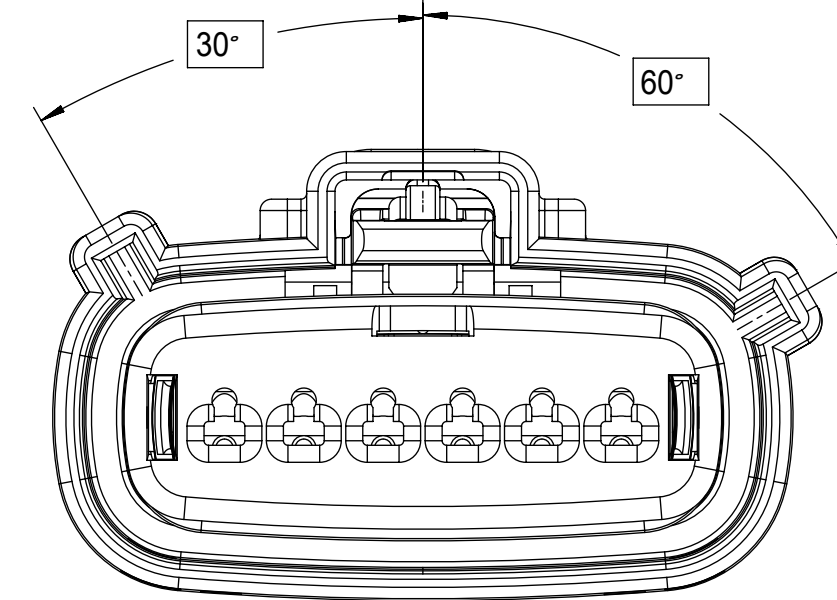
**1X6**



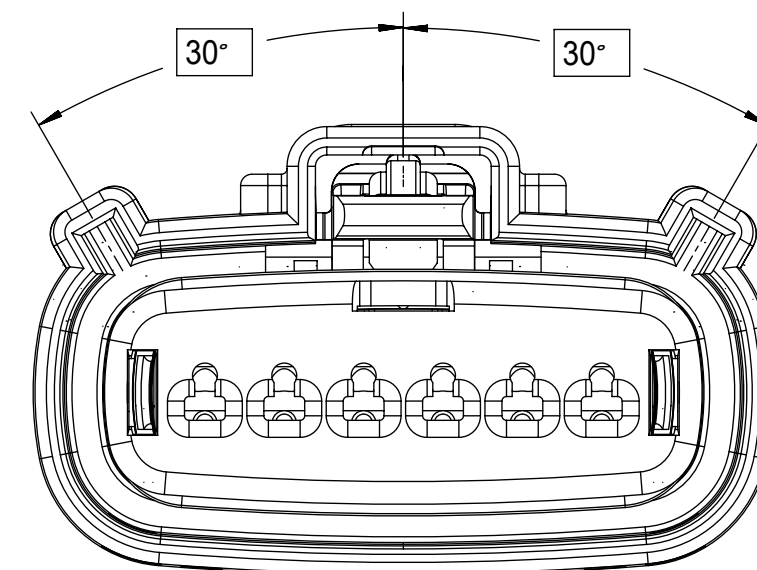
KEY A



KEY B



KEY C



KEY D

FUNCTIONAL SYMBOLS	THIS DRAWING CONTAINS INFORMATION THAT IS PROPRIETARY TO MOLEX ELECTRONIC TECHNOLOGIES, LLC AND SHOULD NOT BE USED WITHOUT WRITTEN PERMISSION		
	DIMENSION UNITS	SCALE	CURRENT REV DESC:
$\nabla_A = 0$	mm	3:1	
$\nabla_C = 0$	GENERAL TOLERANCES (UNLESS SPECIFIED)		
$\nabla_P = 0$	ANGULAR TOL $\pm 1.0^\circ$		
DIVISIONAL SYMBOLS	4 PLACES	$\pm$	EC NO: 643941
	3 PLACES	$\pm$	DRWN: XLDONG03 2020/08/21
	2 PLACES	$\pm 0.1$	CHK'D: JDENG02 2020/08/26
	1 PLACE	$\pm 0.2$	APPR: JDENG02 2020/08/26
	0 PLACES	$\pm$	INITIAL REVISION: DRWN: APROFFITT 2015/11/04 APPR: KDEKOSKI 2016/06/14
DRAFT WHERE APPLICABLE MUST REMAIN WITHIN DIMENSIONS	THIRD ANGLE PROJECTION	DRAWING	SERIES
		D-SIZE	33471
DOCUMENT STATUS		RELEASE DATE	2020/08/26 07:23:52
P1			
MATERIAL NUMBER		CUSTOMER	SHEET NUMBER
SEE NOTE 2a		GENERAL MARKET	4 OF 8

**molex**

MX150 RCPT  
SINGLE ROW SEALED ASSY MAT SEAL

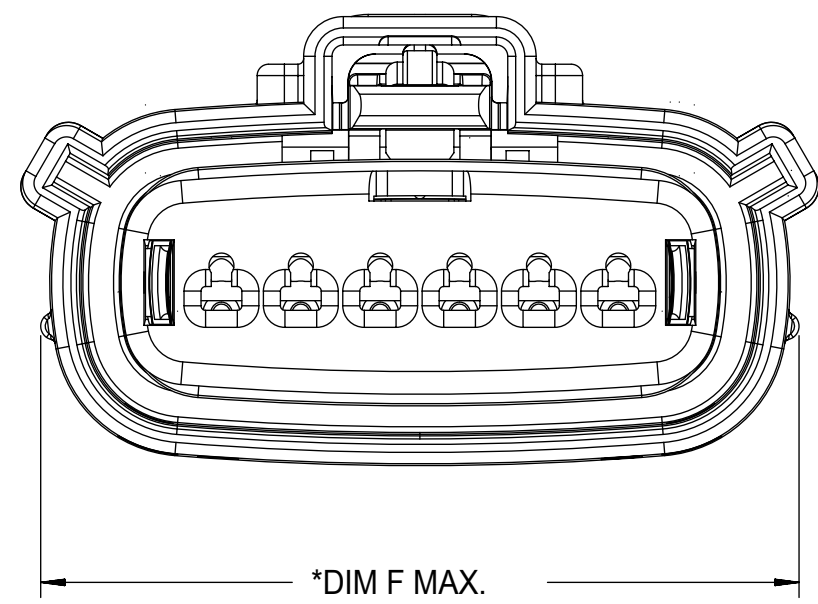
PRODUCT CUSTOMER DRAWING

DOCUMENT NUMBER	DOC TYPE	DOC PART	REVISION
SD-33471-0001	PSD	001	A1

# SHEET DESCRIPTION

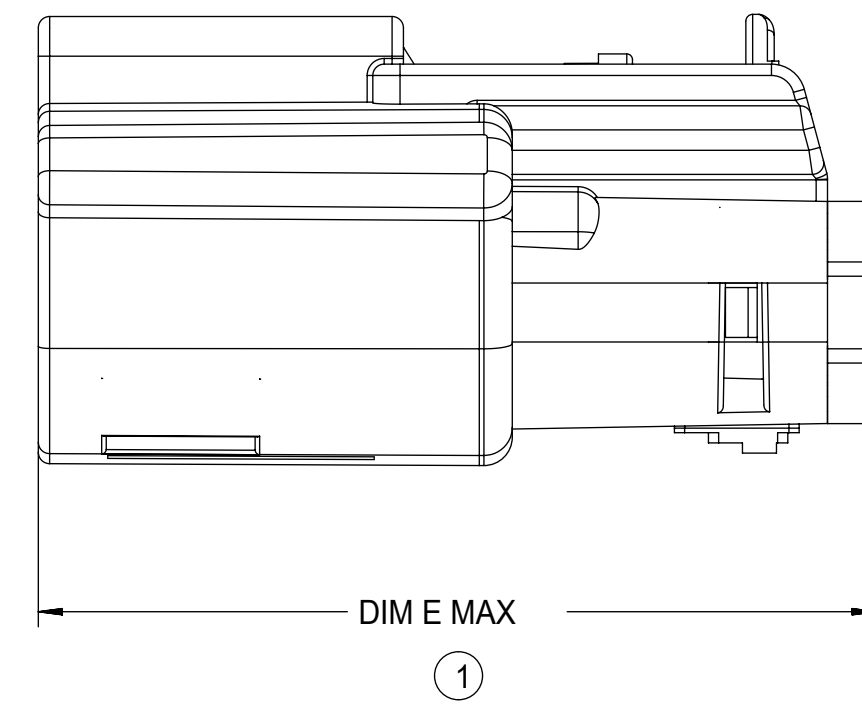
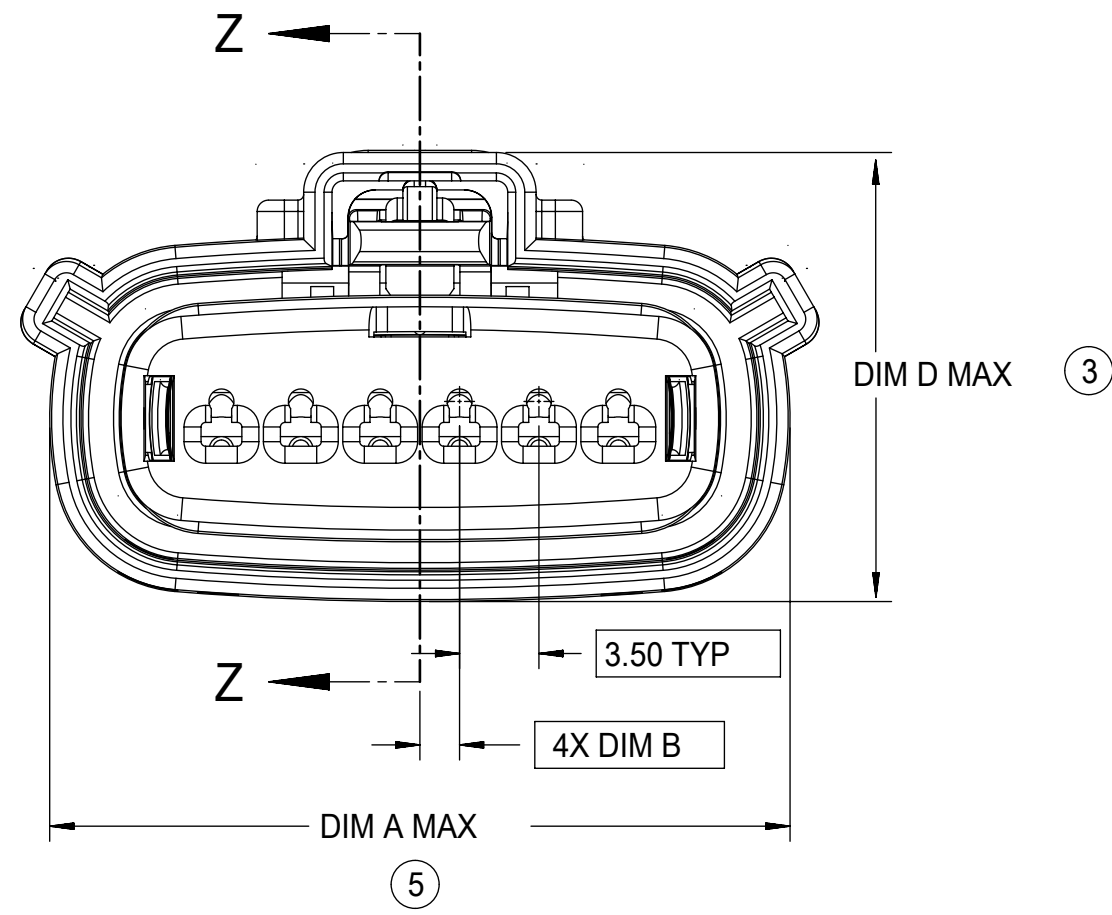
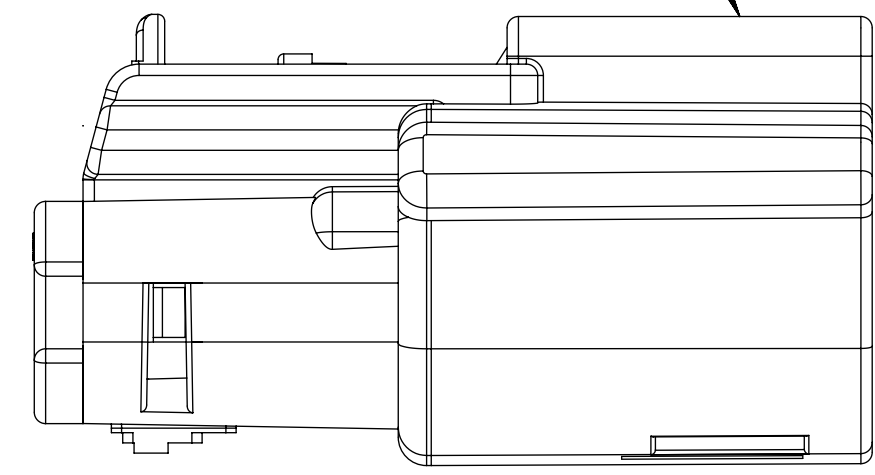
RECEPTACLE CONNECTOR ASSEMBLY - STD

DESCRIPTION	DIMENSIONS					
	A	B	C	D	E	F
1X2	19.40	1.75	21.73	20.55	37.65	19.64
1X6	32.75	1.75	35.21	19.90	37.65	N/A
1X6 UL V0	N/A	1.75	35.23	19.90	37.65	33.64

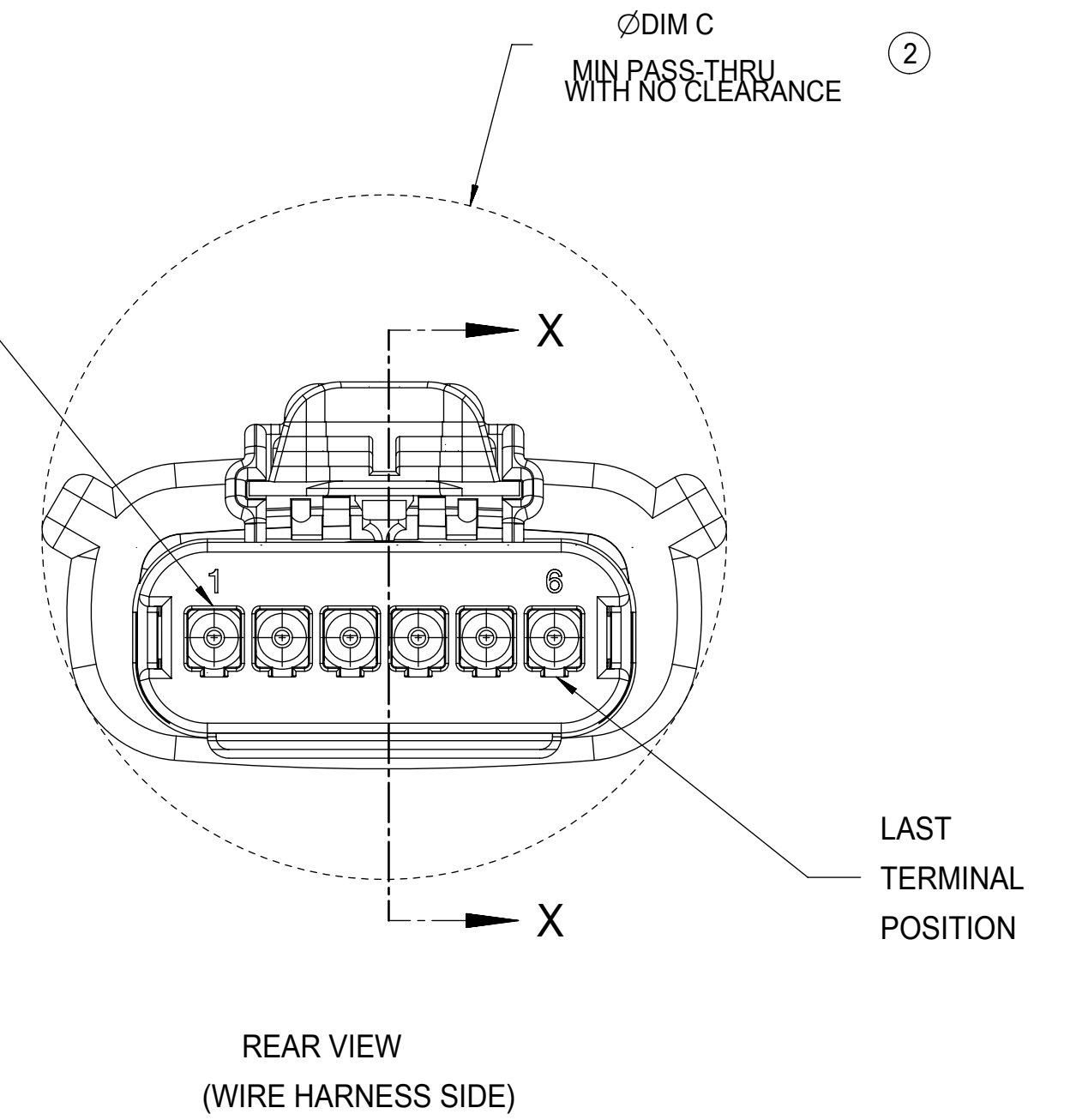


\*DIM F MAX.  
\*APPLIE TO UL V0 CONFIGURATIONS ONLY  
①

LASER MARKING ON THIS SURFACE  
SEE NOTE 3g.



TERMINAL  
POSITION 1

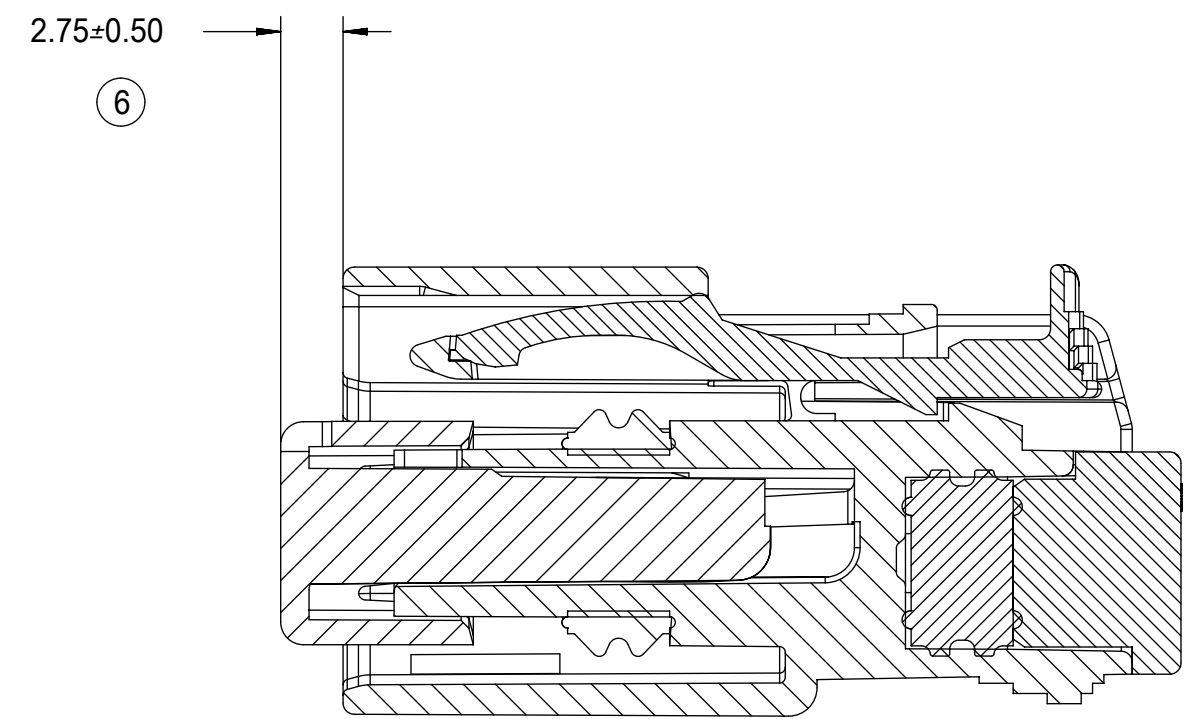
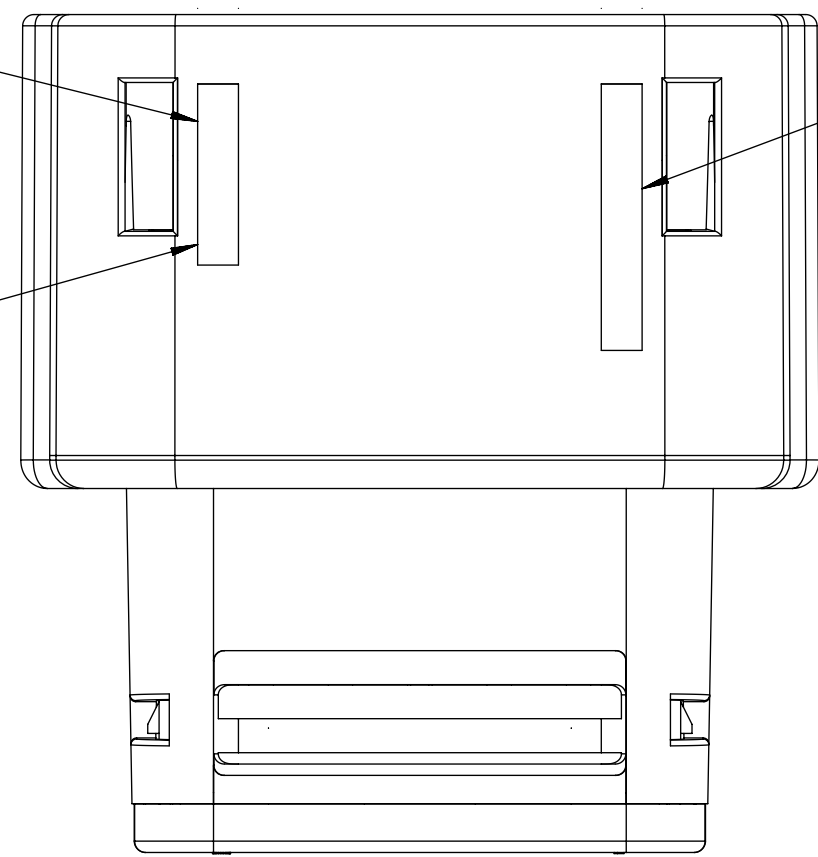


REAR VIEW  
(WIRE HARNESS SIDE)

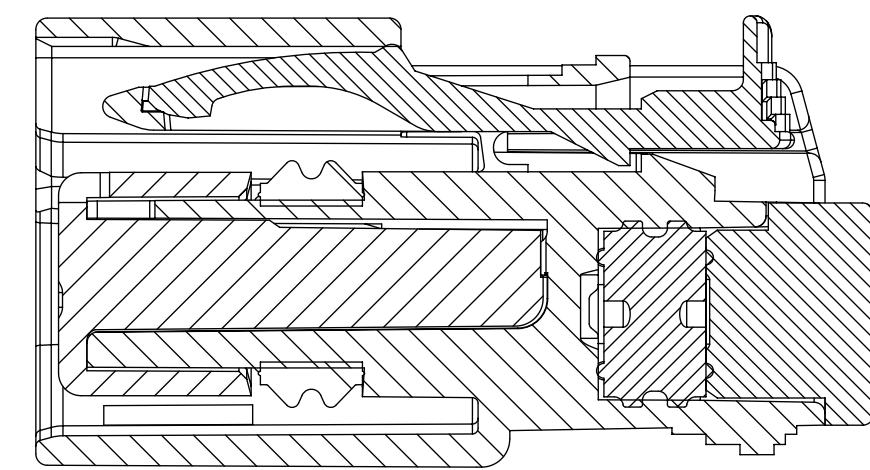
MOLD CAVITY I.D.  
THIS LOCATION

RECYCLE CODE  
THIS LOCATION

MANUFACTURING LOCATION  
CODE THIS LOCATION



PRIMARY LOCK REINFORCEMENT (PLR) SHOWN  
IN PRE-STAGED POSITION  
SECTION Z-Z



PRIMARY LOCK REINFORCEMENT (PLR) SHOWN  
IN FINAL-LOCK POSITION  
SECTION X-X

FUNCTIONAL SYMBOLS	THIS DRAWING CONTAINS INFORMATION THAT IS PROPRIETARY TO MOLEX ELECTRONIC TECHNOLOGIES, LLC AND SHOULD NOT BE USED WITHOUT WRITTEN PERMISSION					
	DIMENSION UNITS	SCALE	CURRENT REV DESC:			
FA = 0	mm	3:1	EC NO: 643941 DRWN: XLDONG03 2020/08/21 CHK'D: JDENG02 2020/08/26 APPR: JDENG02 2020/08/26 INITIAL REVISION: DRWN: APROFFITT 2015/11/04 APPR: KDEKOSKI 2016/06/14			
FC = 0	GENERAL TOLERANCES (UNLESS SPECIFIED)					
FD = 0	ANGULAR TOL ± 1.0°					
	4 PLACES	±				
	3 PLACES	±				
DIVISIONAL SYMBOLS	2 PLACES	± 0.1	DOCUMENT NUMBER			
	1 PLACE	± 0.2	DOC TYPE   DOC PART   REVISION			
	0 PLACES	±	SD-33471-0001   PSD   001   A1			
DRAFT WHERE APPLICABLE MUST REMAIN WITHIN DIMENSIONS		THIRD ANGLE PROJECTION	DRAWING	SERIES	MATERIAL NUMBER	CUSTOMER
			D-SIZE	33471	SEE NOTE 2a	GENERAL MARKET
						SHEET NUMBER
						5 OF 8

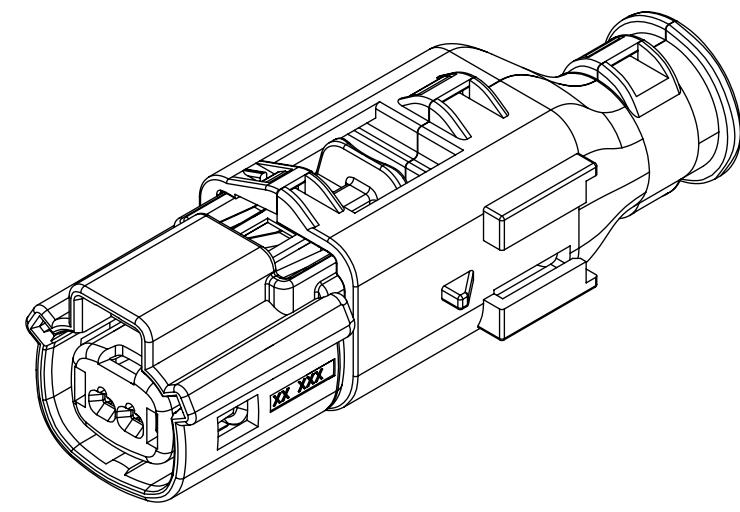
# SHEET DESCRIPTION

## BACKSHELL NOTES

BACKSHELL NOTES: VALID UNLESS OTHERWISE SPECIFIED

1. GENERAL:

- a. APPLICATION SPECIFICATION SEE: AS-34951-001
  - DESIGNED TO MATE WITH RECEPTACLE SEALED ASSEMBLY SPECIFIED IN MOLEX DRAWING SD-33471-0001.
  - SYSTEM TO BE USED WITH WIRE WITHIN DIAMETER RANGE OF 1.2mm TO 2.69mm.
  - COMPONENTS ARE OPTIONAL AND MUST BE PURCHASED SEPERATELY.
  - BACKSHELL DESIGN IS OWNED BY SCHLEMMER.
  - FOR ADDITIONAL INFORMATION SEE THE BACKSHELL COMPONENT DRAWING SD-34949-0001.



1X2

BACKSHELL CUSTOMER MODEL NUMBER LEGEND

34949-XXXX

CUSTOMER MODEL COMPONENTS

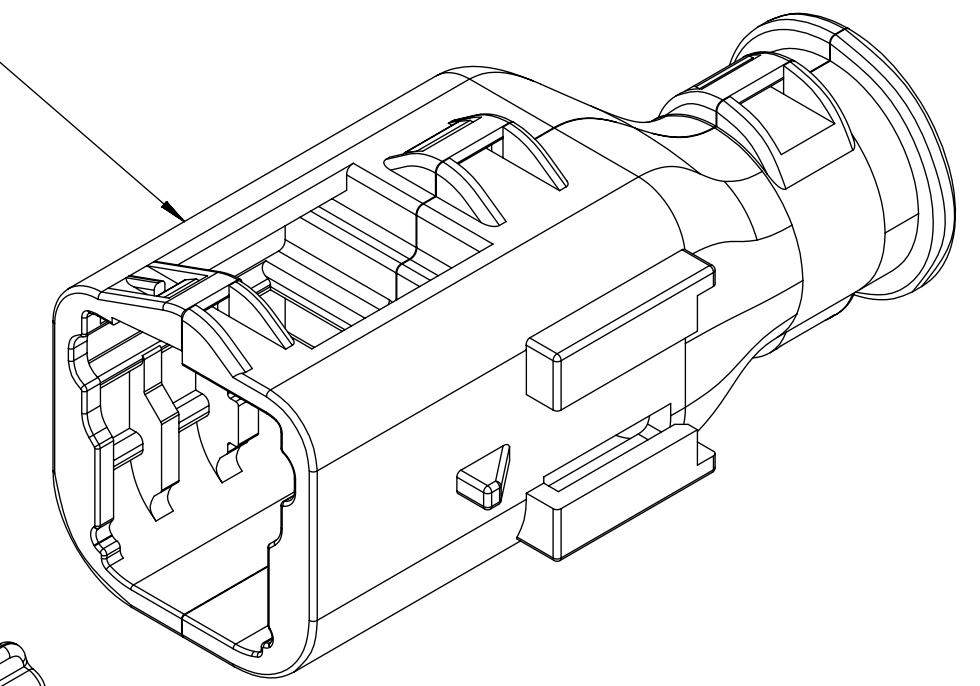
- 0 - BACKSHELL ONLY
- 1 - BACKSHELL & MX150 HOUSING KEY A ASSEMBLY
- 2 - BACKSHELL & MX150 HOUSING KEY B ASSEMBLY
- 3 - BACKSHELL & MX150 HOUSING KEY C ASSEMBLY
- 4 - BACKSHELL & MX150 HOUSING KEY D ASSEMBLY

BACKSHELL FEATURES

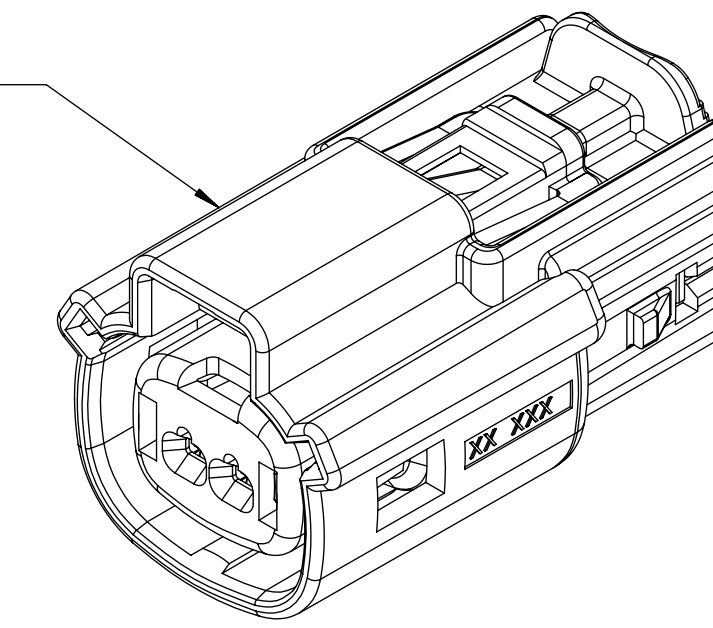
- 1 - WITH RIBS
- 2 - WITHOUT RIBS

MX150 CIRCUIT SIZE 02, 03, 04, 05, 06

BACKSHELL (BKS)



RECEPTACLE SEALED ASSEMBLY



FUNCTIONAL SYMBOLS	THIS DRAWING CONTAINS INFORMATION THAT IS PROPRIETARY TO MOLEX ELECTRONIC TECHNOLOGIES, LLC AND SHOULD NOT BE USED WITHOUT WRITTEN PERMISSION		
	DIMENSION UNITS	SCALE	CURRENT REV DESC:
$\nabla_A = 0$	mm	4:1	EC NO: 643941 DRWN: XLDONG03 2020/08/21 CHK'D: JDENG02 2020/08/26 APPR: JDENG02 2020/08/26
$\nabla_C = 0$	GENERAL TOLERANCES (UNLESS SPECIFIED)		
$\nabla_D = 0$	ANGULAR TOL $\pm 1.0^\circ$		INITIAL REVISION: DRWN: APROFFITT 2015/11/04 APPR: KDEKOSKI 2016/06/14
DIVISIONAL SYMBOLS	4 PLACES	$\pm$	
	3 PLACES	$\pm$	DOCUMENT NUMBER <b>SD-33471-0001</b> DOC TYPE PSD DOC PART 001 REVISION <b>A1</b>
	2 PLACES	$\pm 0.1$	
	1 PLACE	$\pm 0.2$	MATERIAL NUMBER SEE NOTE 2a CUSTOMER GENERAL MARKET SHEET NUMBER 6 OF 8
	0 PLACES	$\pm$	
DRAFT WHERE APPLICABLE MUST REMAIN WITHIN DIMENSIONS		THIRD ANGLE PROJECTION	DRAWING <b>D-SIZE</b>
		SERIES <b>33471</b>	

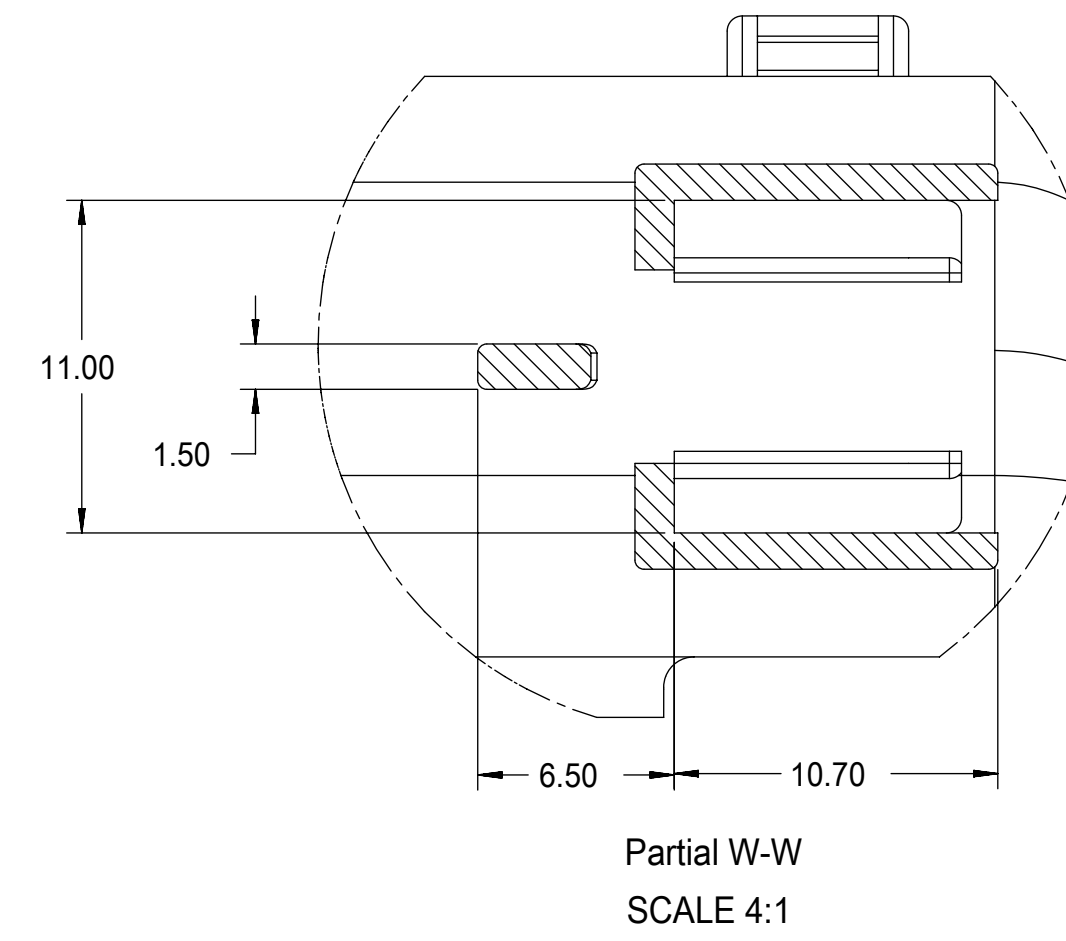
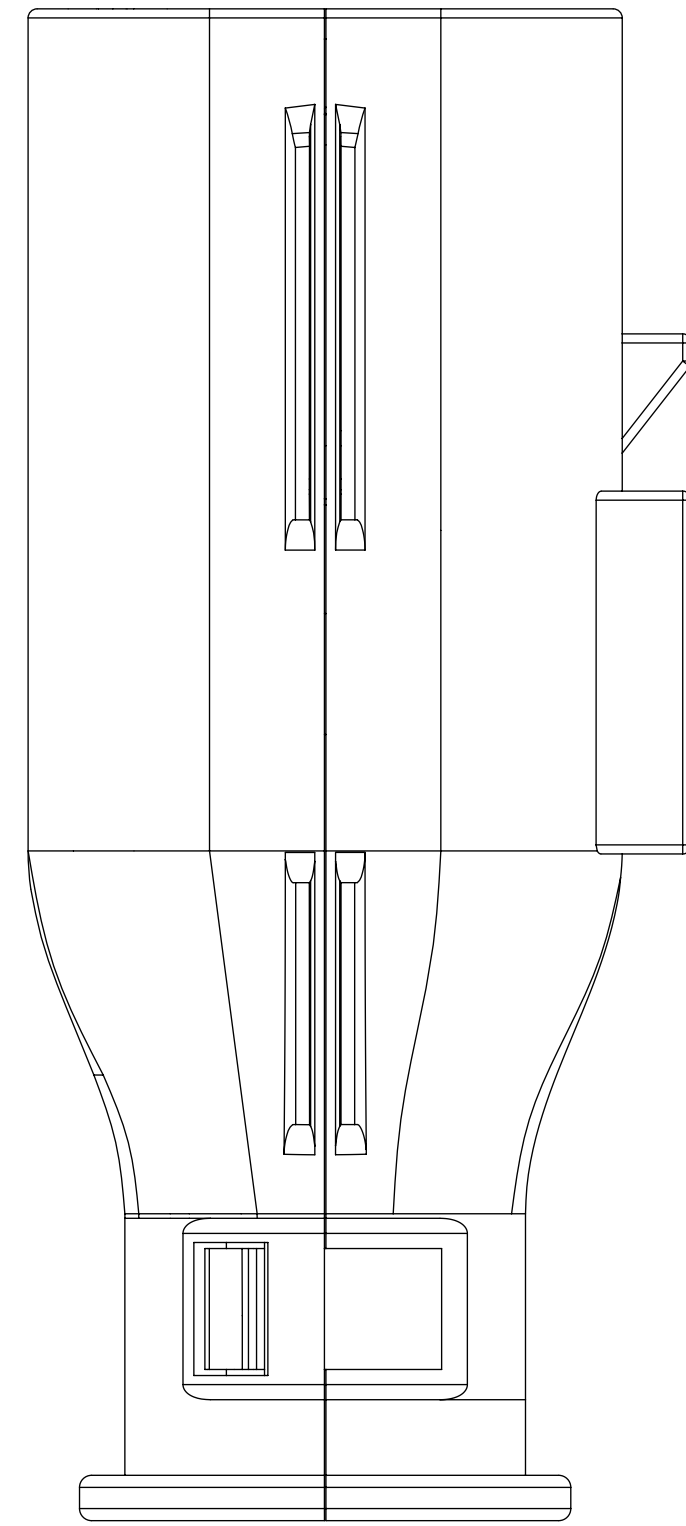
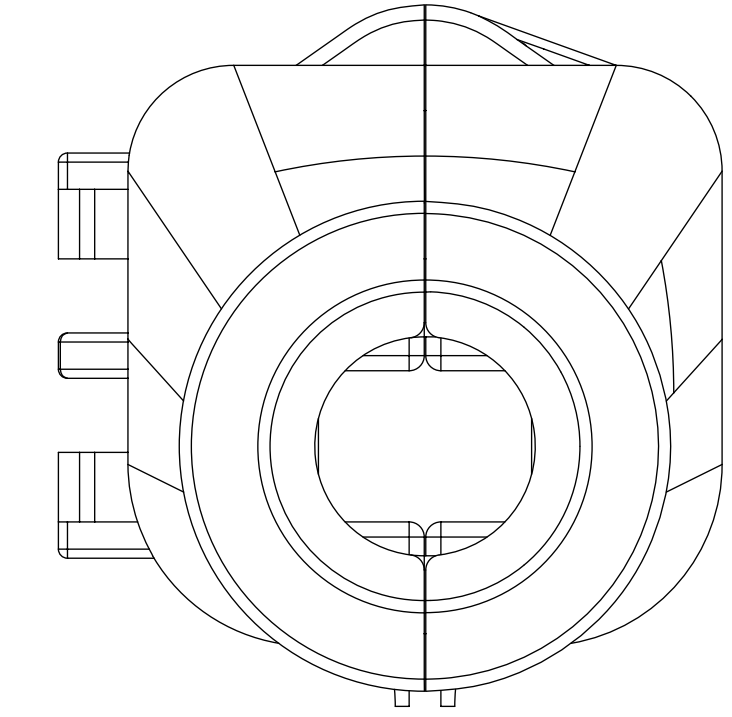
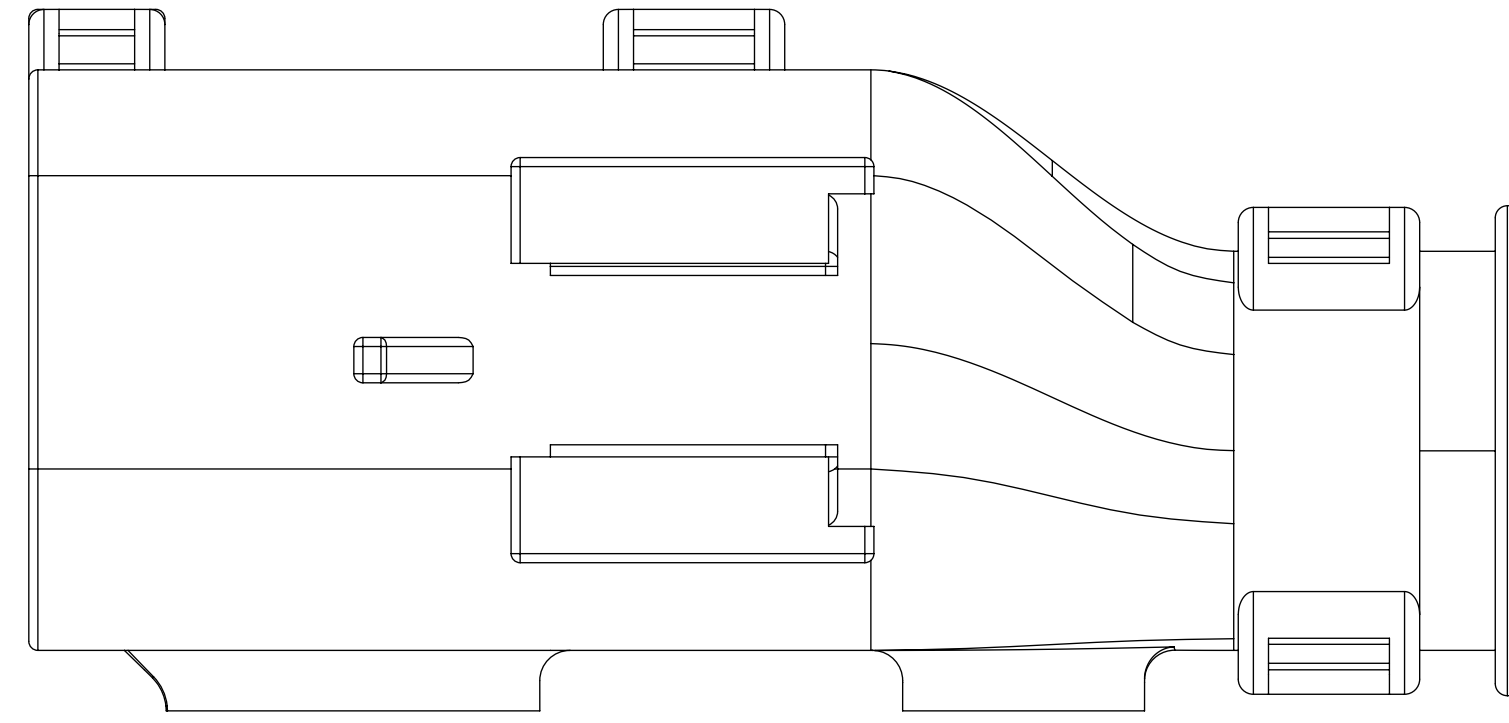
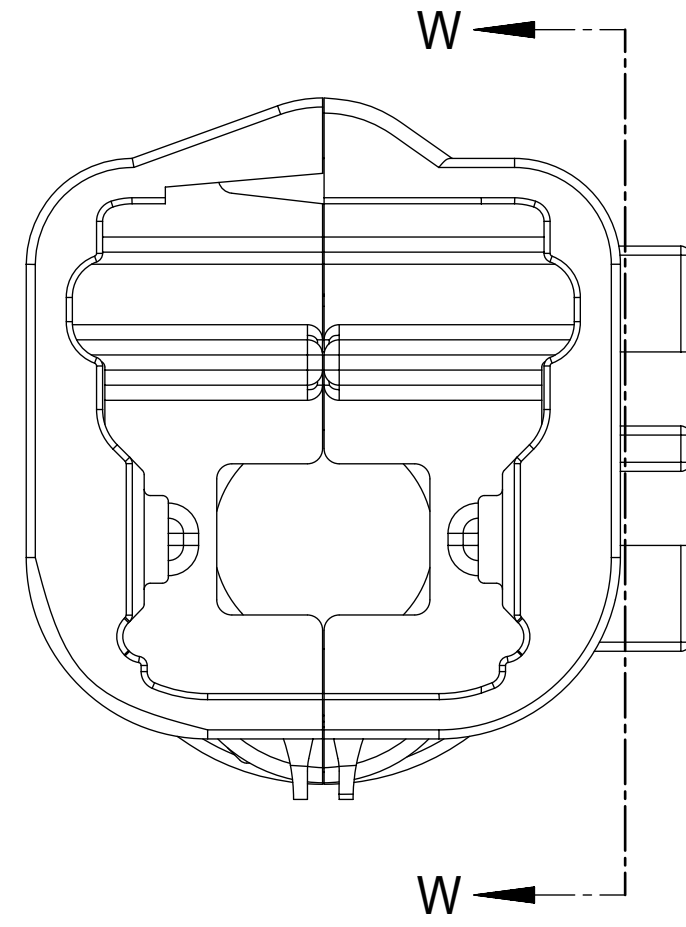
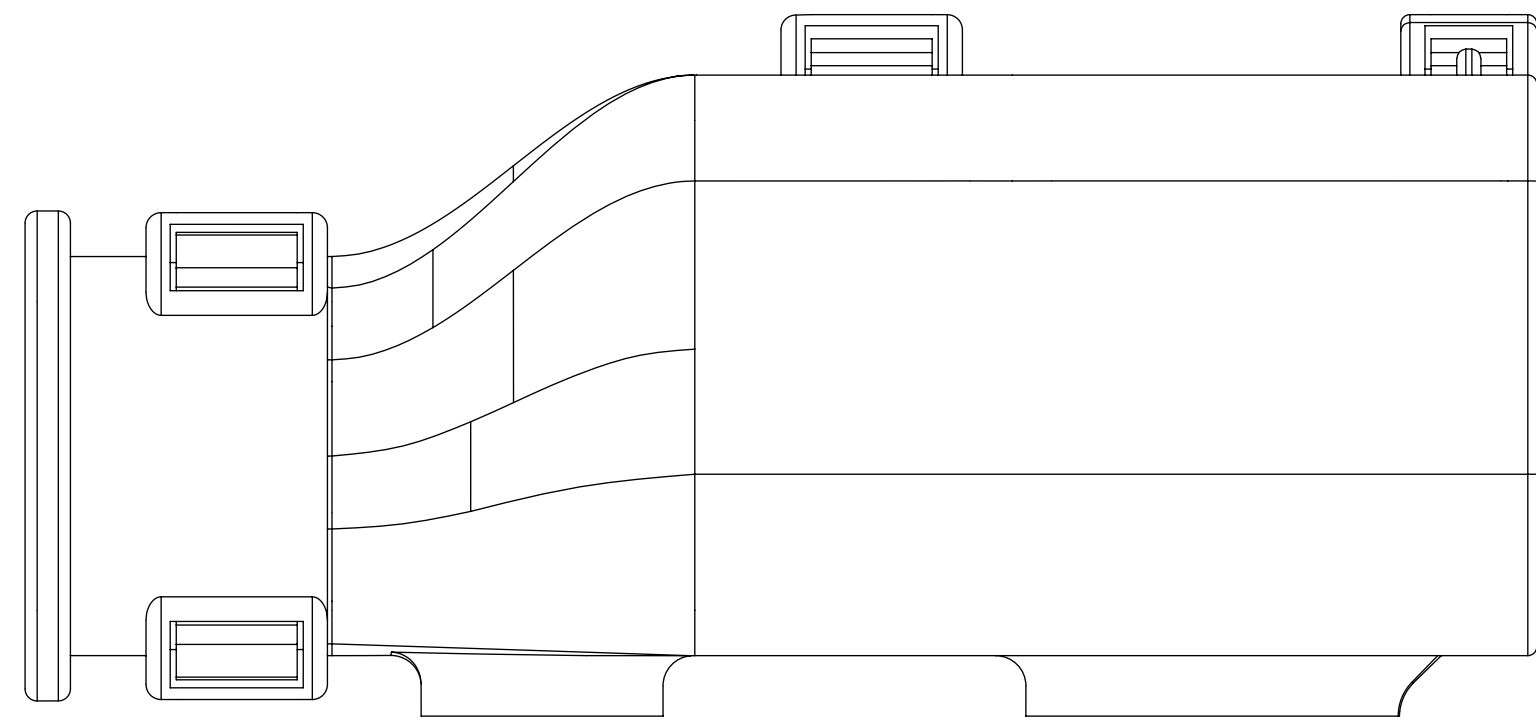
**molex**

MX150 RCPT  
SINGLE ROW SEALED ASSY MAT SEAL

PRODUCT CUSTOMER DRAWING

**SHEET DESCRIPTION**

BACKSHELL



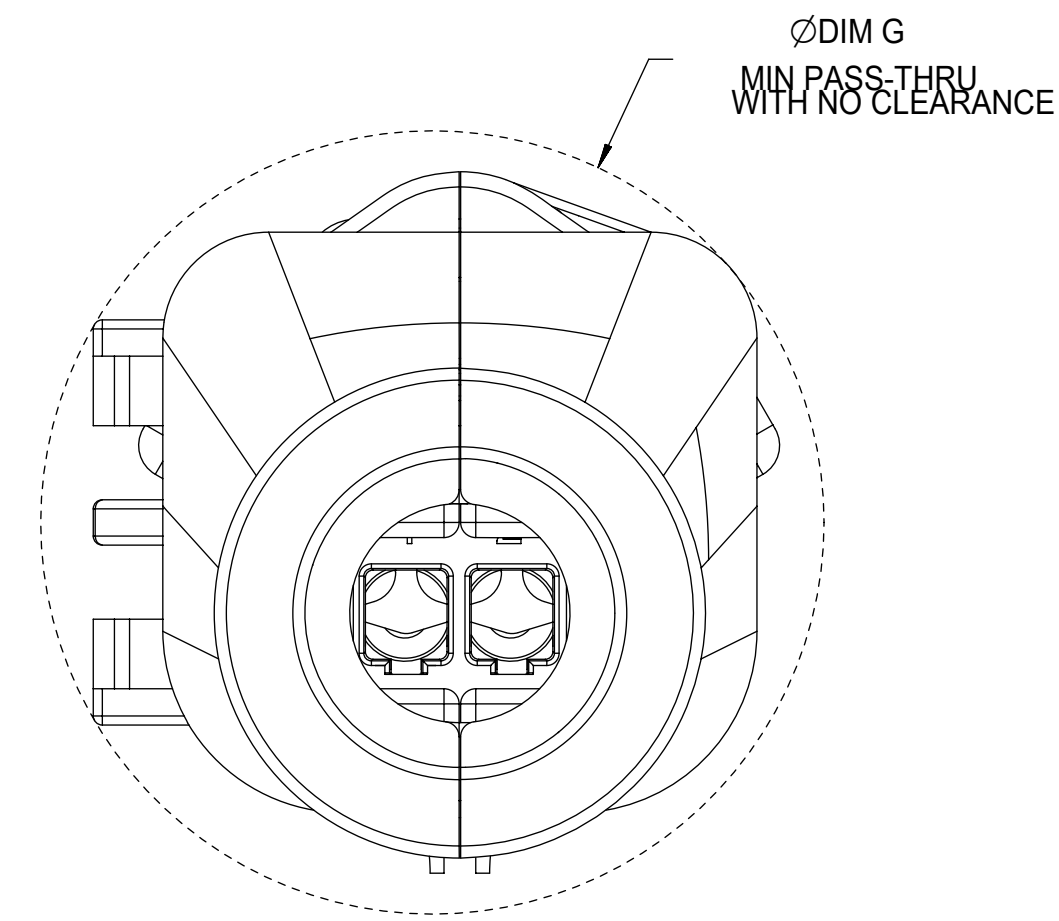
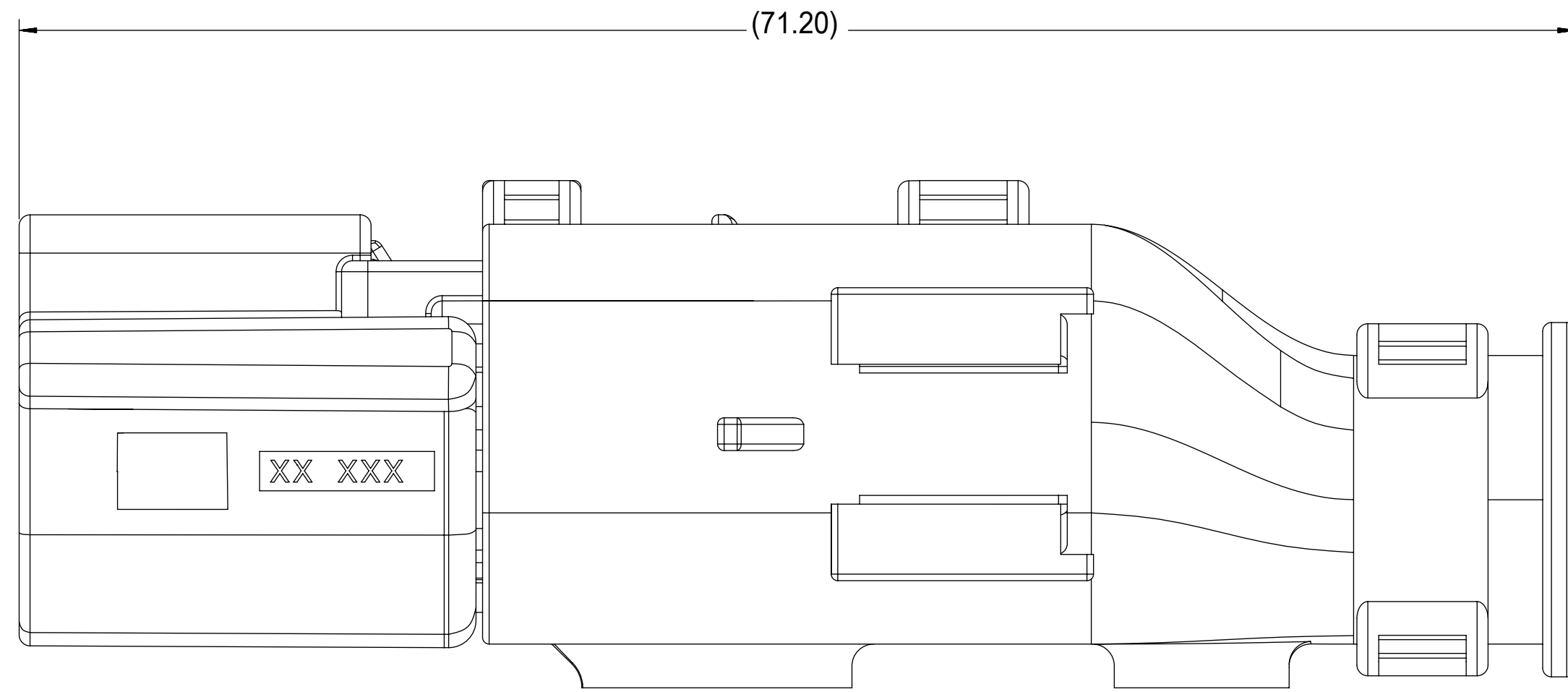
<b>FUNCTIONAL SYMBOLS</b> $F_A = 0$ $F_C = 0$ $F_P = 0$	THIS DRAWING CONTAINS INFORMATION THAT IS PROPRIETARY TO MOLEX ELECTRONIC TECHNOLOGIES, LLC AND SHOULD NOT BE USED WITHOUT WRITTEN PERMISSION		CURRENT REV DESC:							
	DIMENSION UNITS <b>mm</b>	SCALE <b>4:1</b>	EC NO: 643941 DRWN: XLDONG03 2020/08/21 CHK'D: JDENG02 2020/08/26 APPR: JDENG02 2020/08/26						MX150 RCPT SINGLE ROW SEALED ASSY MAT SEAL	
	GENERAL TOLERANCES (UNLESS SPECIFIED)		INITIAL REVISION: DRWN: APROFFITT 2015/11/04 APPR: KDEKOSKI 2016/06/14		PRODUCT CUSTOMER DRAWING					
	ANGULAR TOL $\pm 1.0^\circ$		DRAFT WHERE APPLICABLE MUST REMAIN WITHIN DIMENSIONS		THIRD ANGLE PROJECTION		DOCUMENT NUMBER <b>SD-33471-0001</b>		DOC TYPE PSD	DOC PART 001
4 PLACES $\pm$ 3 PLACES $\pm$ 2 PLACES $\pm 0.1$ 1 PLACE $\pm 0.2$ 0 PLACES $\pm$		D-DRAWING <b>D-SIZE</b>		SERIES <b>33471</b>	MATERIAL NUMBER SEE NOTE 2a		CUSTOMER GENERAL MARKET		SHEET NUMBER 7 OF 8	

**SHEET DESCRIPTION**

BACKSHELL CONFIGURATIONS

**CHARTED DIMENSIONS**

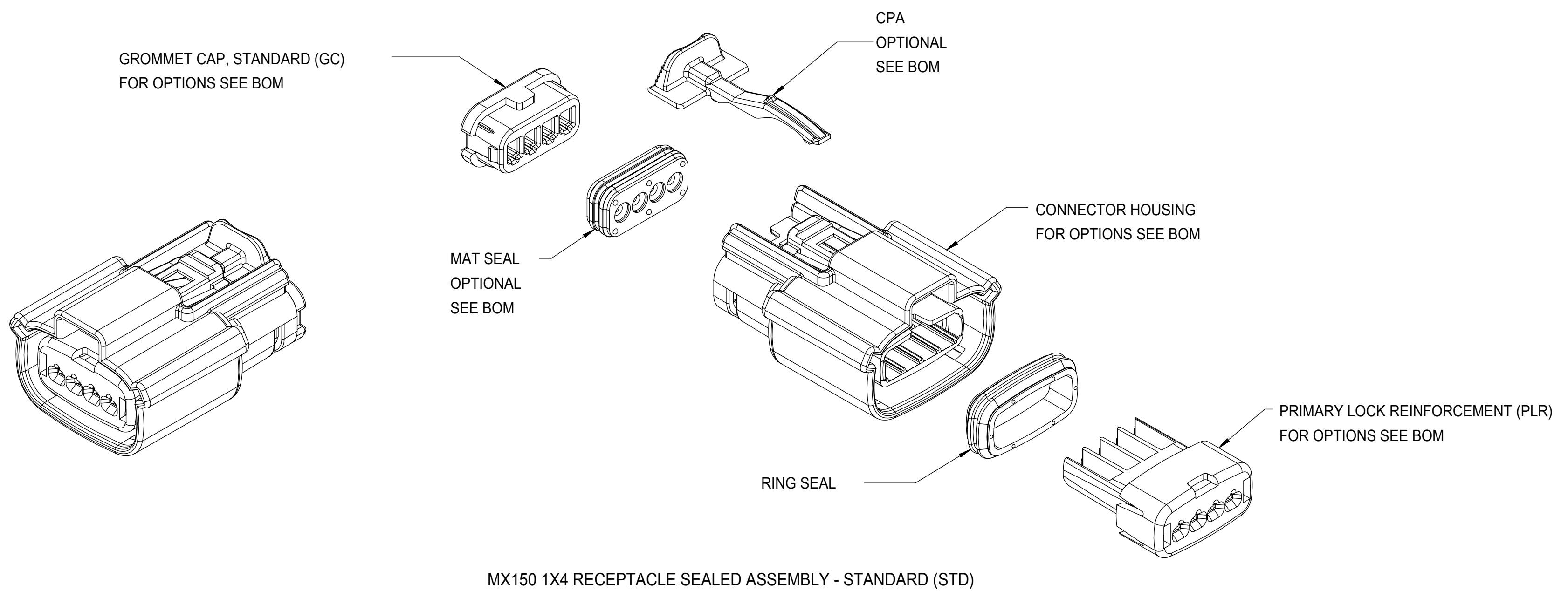
DESCRIPTION	DIMENSIONS
	G
1X2	26.00



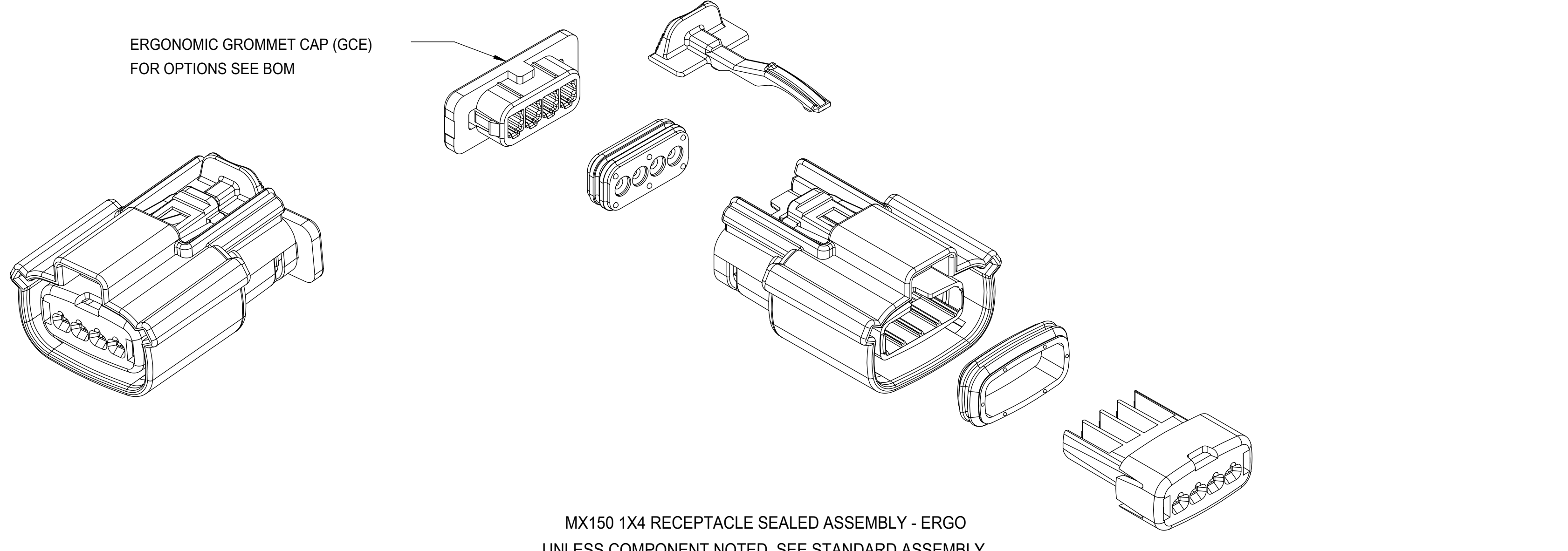
RECEPTACLE SEALED ASSEMBLY WITH RECEPTACLE BACKSHELL

<b>FUNCTIONAL SYMBOLS</b> FA = 0 FC = 0 FP = 0 <b>DIVISIONAL SYMBOLS</b>	THIS DRAWING CONTAINS INFORMATION THAT IS PROPRIETARY TO MOLEX ELECTRONIC TECHNOLOGIES, LLC AND SHOULD NOT BE USED WITHOUT WRITTEN PERMISSION		CURRENT REV DESC:		
	mm	4:1	GENERAL TOLERANCES (UNLESS SPECIFIED)		
	ANGULAR TOL ± 1.0°		EC NO: 643941		
	4 PLACES ±	3 PLACES ±	DRWN: XLDONG03	2020/08/21	
	2 PLACES ± 0.1	1 PLACE ± 0.2	CHK'D: JDENG02	2020/08/26	
DRAFT WHERE APPLICABLE MUST REMAIN WITHIN DIMENSIONS		THIRD ANGLE PROJECTION		PRODUCT CUSTOMER DRAWING DOCUMENT NUMBER: <b>SD-33471-0001</b>   DOC TYPE: PSD   DOC PART: 001   REVISION: A1	
D-D-SIZE		SERIES: 33471		MATERIAL NUMBER: SEE NOTE 2a   CUSTOMER: GENERAL MARKET   SHEET NUMBER: 8 OF 8	

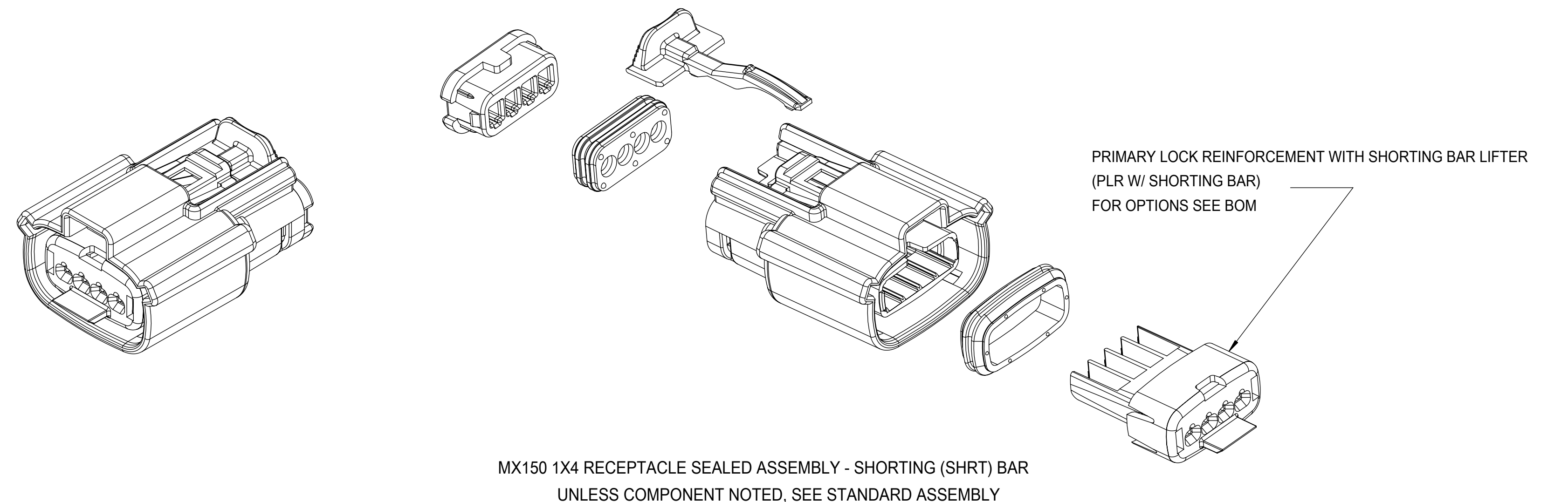




MX150 1X4 RECEPTACLE SEALED ASSEMBLY - STANDARD (STD)



MX150 1X4 RECEPTACLE SEALED ASSEMBLY - ERGO  
UNLESS COMPONENT NOTED, SEE STANDARD ASSEMBLY



MX150 1X4 RECEPTACLE SEALED ASSEMBLY - SHORTING (SHRT) BAR  
UNLESS COMPONENT NOTED, SEE STANDARD ASSEMBLY

TABLE OF CONTENTS	
SHEET NO.	SHEET DESCRIPTION
1	NOTES
2	KEY CONFIGURATIONS
3	RECEPTACLE SEALED ASSEMBLY
4-5	BOM

NOTES: VALID UNLESS OTHERWISE SPECIFIED

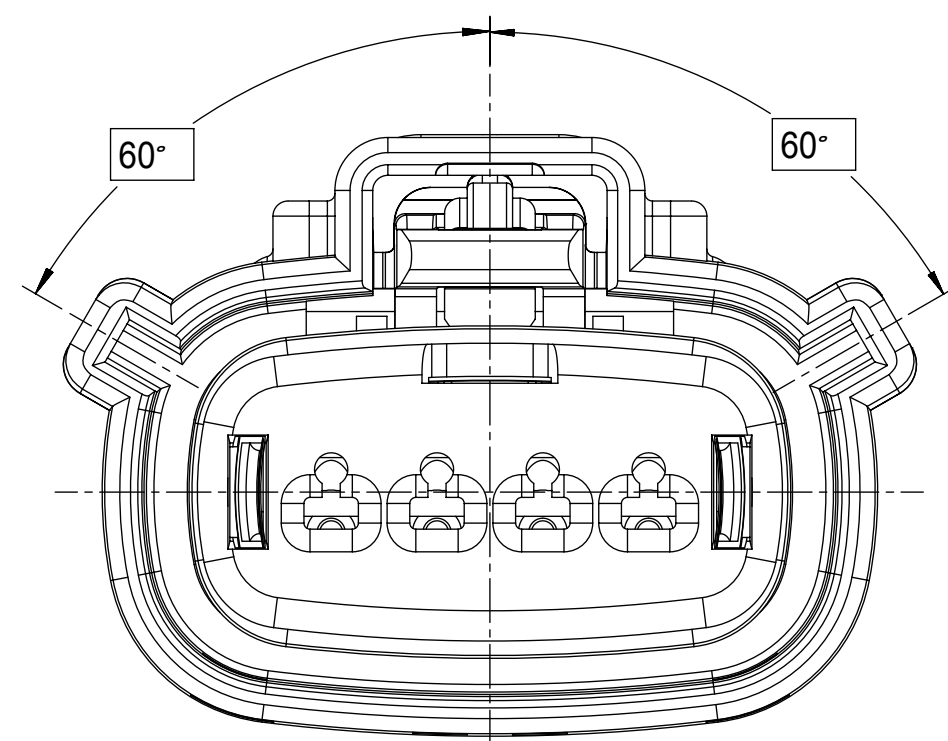
1. GENERAL:
  - a. APPLICATION SPECIFICATION SEE: AS-33472-100
    - CONTAINS: PRODUCT INTRODUCTION, PRODUCT SUMMARY, CONNECTOR ASSEMBLY, PACKAGING INFORMATION, CONNECTOR MATING, SERVICE INSTRUCTIONS, ELECTRICAL CONTINUITY CHECKING, CRIMPING, AND TROUBLESHOOTING.
    - STANDARD (NON-SHRT) CONFIGURATIONS DESIGNED TO MATE WITH DEVICE CONNECTION AS SPECIFIED IN DRAWING SD-33481-041 AND EWCAP 150-S-004-1-Z03, AVAILABLE AT <http://ewcap.uscarteams.org/>
    - SHORTING BAR CONFIGURATIONS DESIGNED TO MATE WITH BLADE SEALED ASSEMBLY SPECIFIED IN DRAWING SD-31280-200
    - FOR 1.5mm RECEPTACLE TERMINALS TO BE USED WITH THIS ASSEMBLY. SEE MOLEX DRAWING SD-33012-002.
    - SYSTEM TO BE USED WITH WIRE WITHIN DIAMETER RANGE OF 1.2mm TO 2.69mm.
    - ASSEMBLY SHIPPED WITH PLR AND CPA IN PRE-LOCK POSITION (SEE SECTION Z-Z PRE-LOCK).
    - IN THE EVENT THAT THE PLR IS FOUND IN THE SEATED (FINAL LOCK) POSITION, REFER TO MOLEX SPECIFICATION PS-34646-001, AVAILABLE AT [www.molex.com](http://www.molex.com) <<http://www.molex.com>>.
    - ASSEMBLY CONFORMS TO SAE/USCAR-2 REV 4 WITH THE FOLLOWING EXCEPTIONS: ENGAGEMENT FORCE TO MOVE CPA FROM PRE-LOCK TO FINAL LOCK POSITION WHEN UNMATED: 40N MIN. DISENGAGEMENT FORCE TO MOVE CPA FROM FINAL LOCK TO PRE-LOCK POSITION: 3N MIN, 40N MAX. TERMINAL INSERTION FORCE FOR WIRE DIAMETER ABOVE 2.5mm AND NOT EXCEEDING 2.69mm SHALL NOT EXCEED 40 NEWTONS.
  - b. PRODUCT SPECIFICATION SEE: PS-33471-000
    - CONTAINS: PRODUCT INTRODUCTION, PRODUCT SUMMARY, RATINGS (CURRENT, TEMPERATURE, SEALING, AND FLAMMABILITY), AND PRODUCT VALIDATION.
  - c. PACKAGING SPECIFICATION PER MOLEX DRAWING: PK-31300-903
  - d. PARTS MUST BE IN COMPLIANCE TO MOLEX CHEMICAL SUBSTANCES FOR PRODUCTS AND PACKAGING SPECIFICATION: ES-40000-5016
  - e. DATA MUST BE SUBMITTED UNDER THE MOLEX PART NUMBER TO IMDS (COMPANY ID#13255)
2. DESIGN - MATERIALS:
  - a. SEE BOM TABLE
3. DESIGN - GEOMETRY:
  - a. THIS IS A 100% CAD GENERATED PART. THE CAD MATHEMATICAL DATA IS THE MASTER FOR THIS PART. FOR DIMENSIONAL OR ANY INFORMATION NOT SHOWN ON THIS DRAWING, ANALYZE THE CAD MODEL.
  - b. GEOMETRIC DIMENSIONS AND TOLERANCES PER ASME Y14.5M - 1994
  - c. EDGES AND UNDIMENSIONED DETAILS PER ISO13715
  - d. CORNERS SHOWN AS SHARP TO BE R 0.2 MAX.
  - e. LETTERING SHALL BE 0.15 MAX RAISED IN 0.25 MAX RECESS PAD. THIS INCLUDES RECYCLING CODE, CAVITY ID, VENDOR IDENTIFICATION, AND CUSTOMER MATERIAL NUMBER.
  - f. VISUAL DEFECTS SHALL MEET COSMETIC STANDARD PS-45499-002 (Class B)
  - g. LASER MARKING: TBD

INSPECTION NUMBER LOG  
LAST NUMBER USED: 5  
ADDED:  
REMOVED: 2

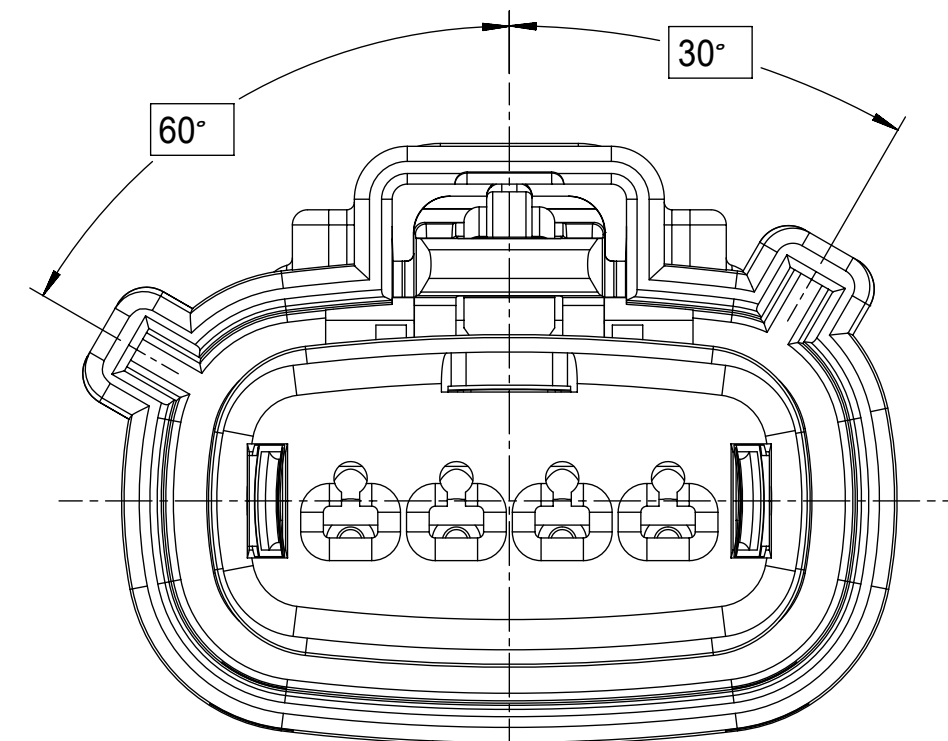
W3	UPDATED THE DRAWING FRAME
W2	ADD NEW P/N 33471-0494
W1	ADD NEW P/N 33471-0493
W	REMOVE THE 33471-0489 CPA
REV	DESCRIPTION

FUNCTIONAL SYMBOLS FA = 0 FC = 0 FD = 0	THIS DRAWING CONTAINS INFORMATION THAT IS PROPRIETARY TO MOLEX ELECTRONIC TECHNOLOGIES, LLC AND SHOULD NOT BE USED WITHOUT WRITTEN PERMISSION		CURRENT REV DESC:		<p>MX150 1X4 RECEPTACLE SEALED ASSEMBLY MAT SEAL</p> <p>PRODUCT CUSTOMER DRAWING</p>		
	DIMENSION UNITS	SCALE	GENERAL TOLERANCES (UNLESS SPECIFIED)				
	mm	2:1	ANGULAR TOL ± 3.0°				
	DIVISIONAL SYMBOLS		INITIAL REVISION:				
4 PLACES ±		EC NO: 643941		DOCUMENT NUMBER	DOC TYPE	DOC PART	REVISION
3 PLACES ±		DRWN: XLDONG03 2020/08/21		SD-33471-041	PSD	002	W3
2 PLACES ± 0.1		CHK'D: JDENG02 2020/08/26					
1 PLACE ± 0.3		APPR: JDENG02 2020/08/26					
0 PLACES ±		DRWN: DGRIFITHS 2010/03/31					
DRAFT WHERE APPLICABLE MUST REMAIN WITHIN DIMENSIONS		APPR: VKOSHY 2010/04/06					
THIRD ANGLE PROJECTION		DRAWING		SERIES		MATERIAL NUMBER	
		D-SIZE		33471		SEE BOM	
		GENERAL MARKET		SHEET NUMBER			
				1 OF 6			

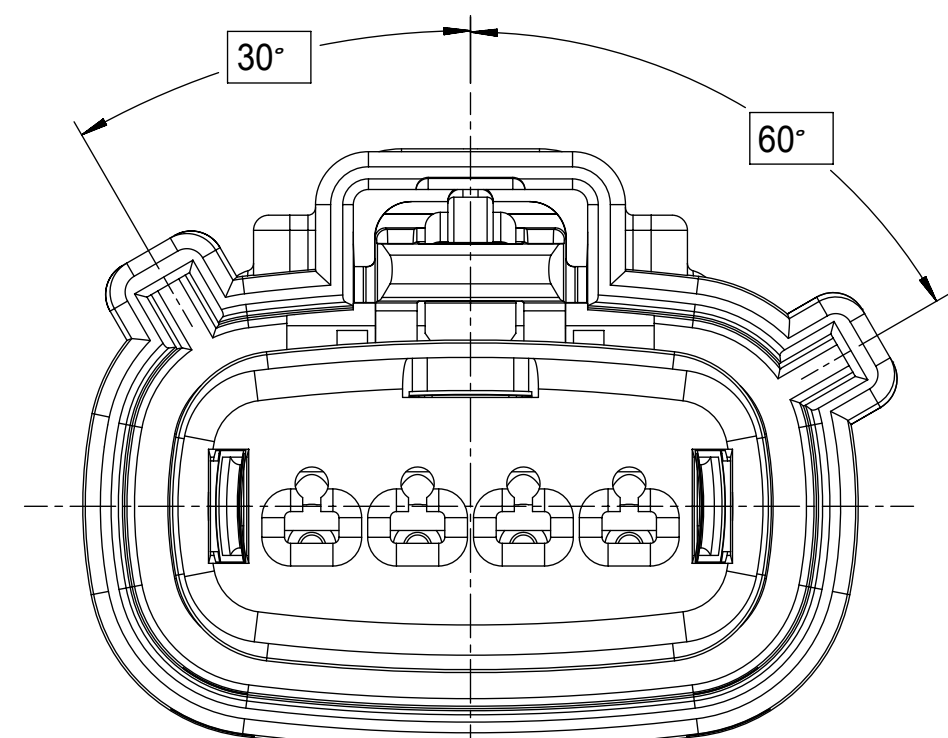
KEY CONFIGURATIONS



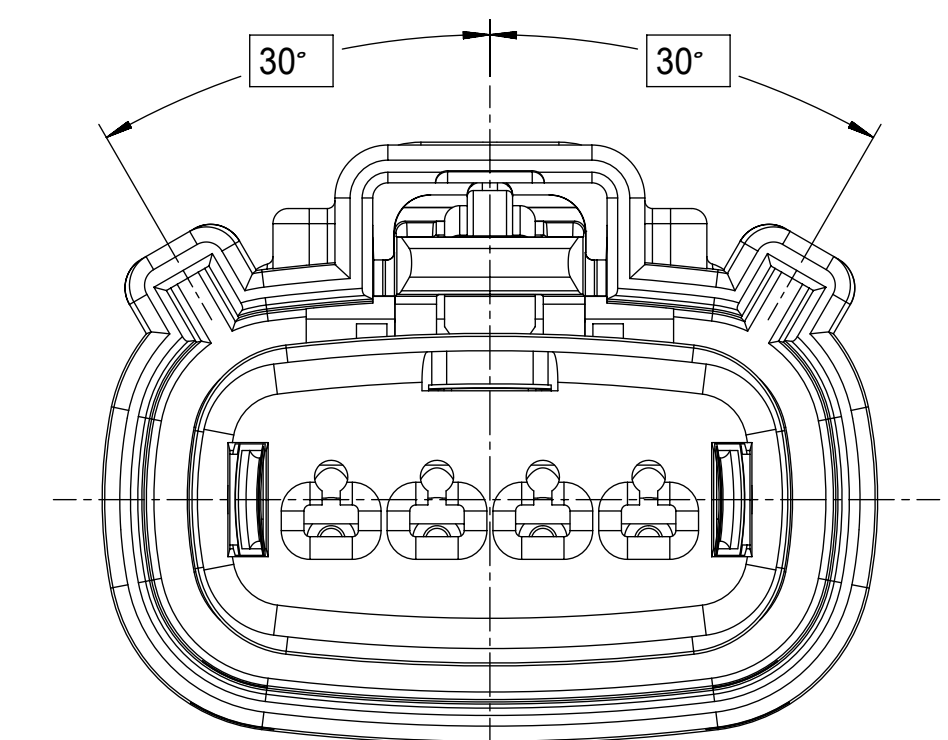
KEY A



KEY B

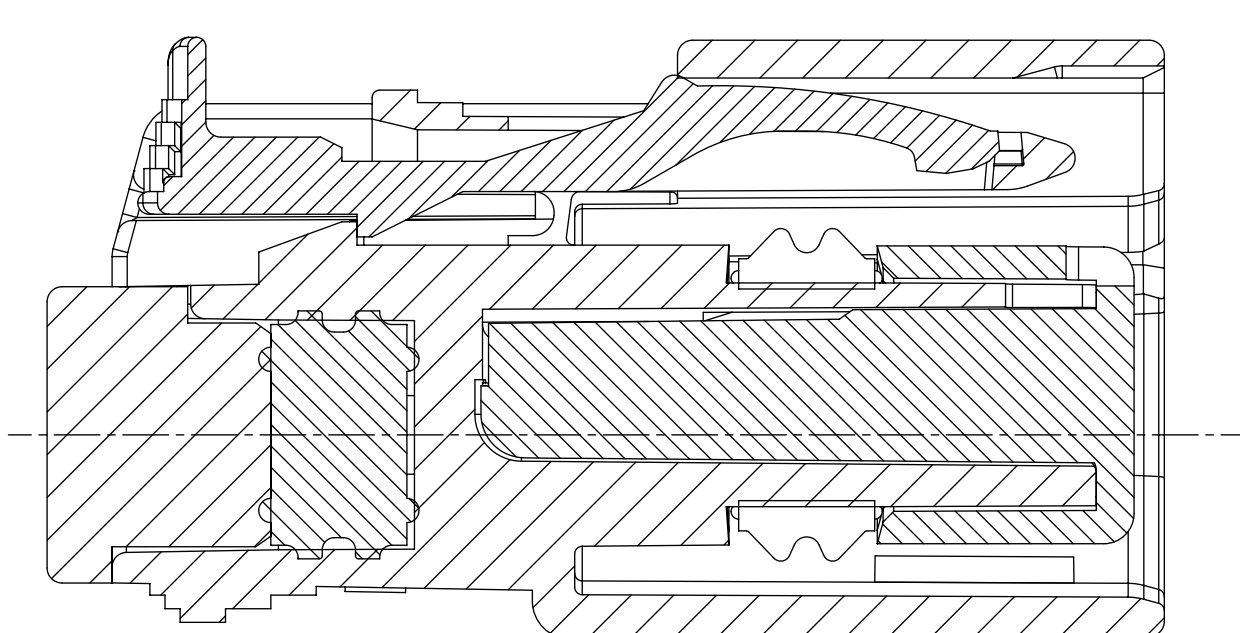
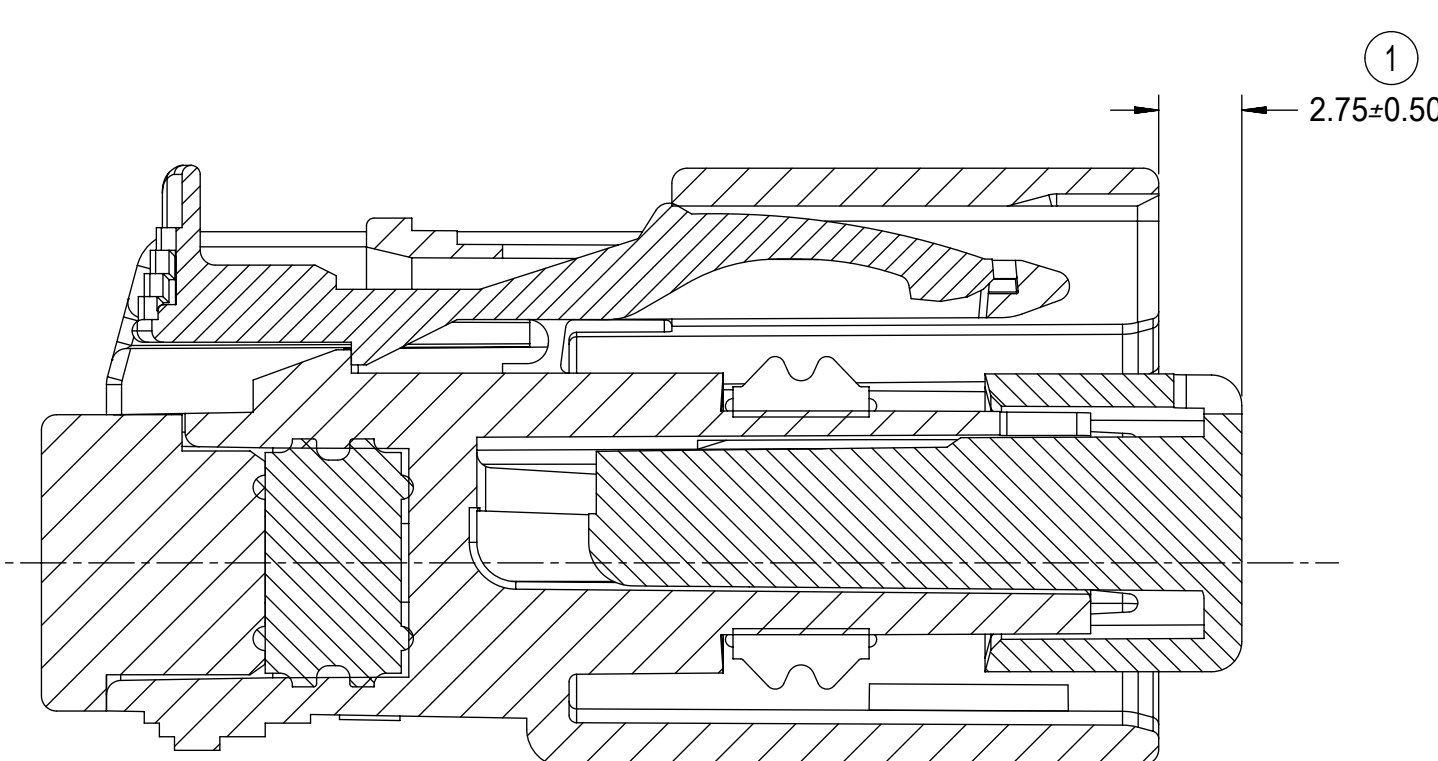
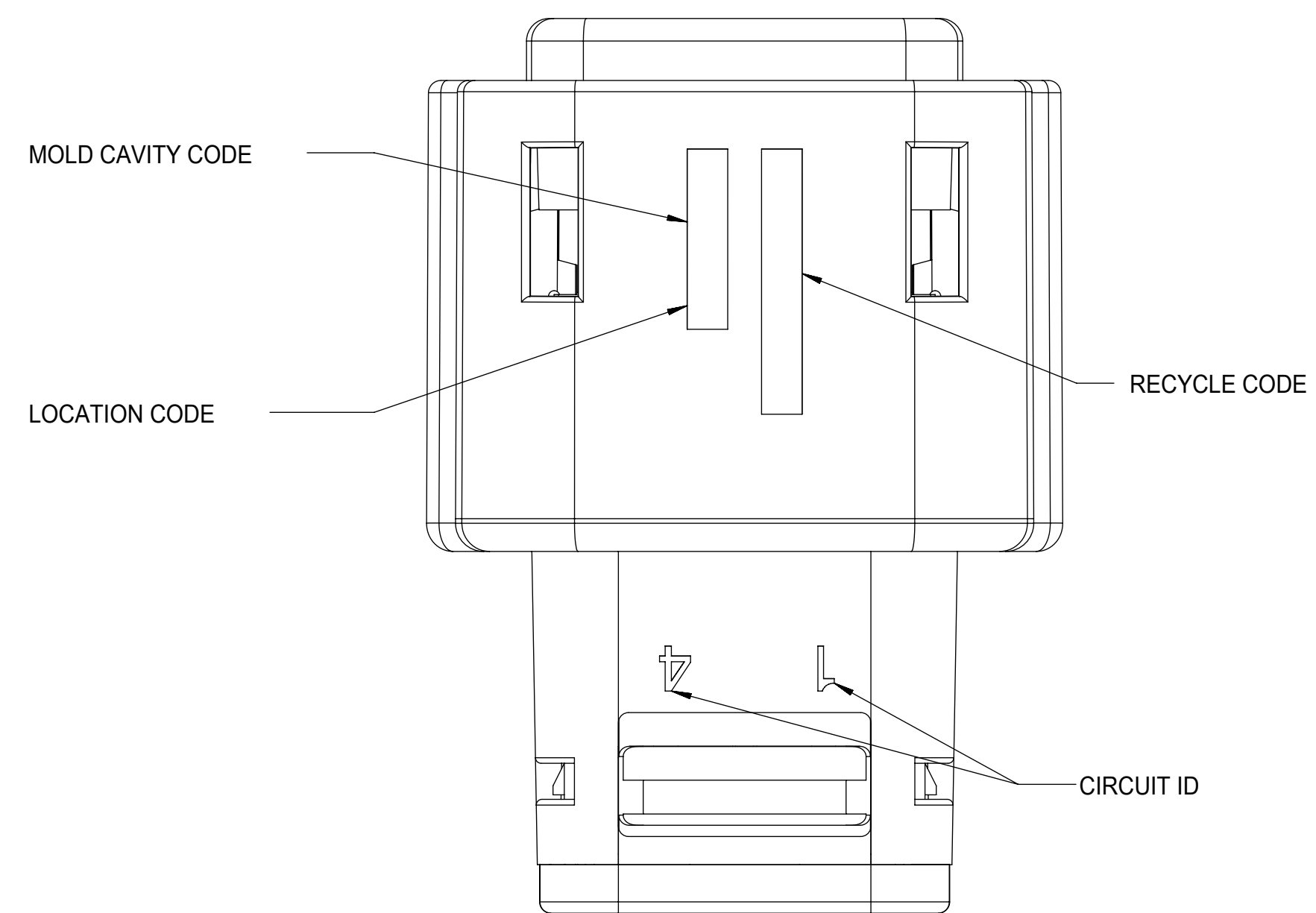
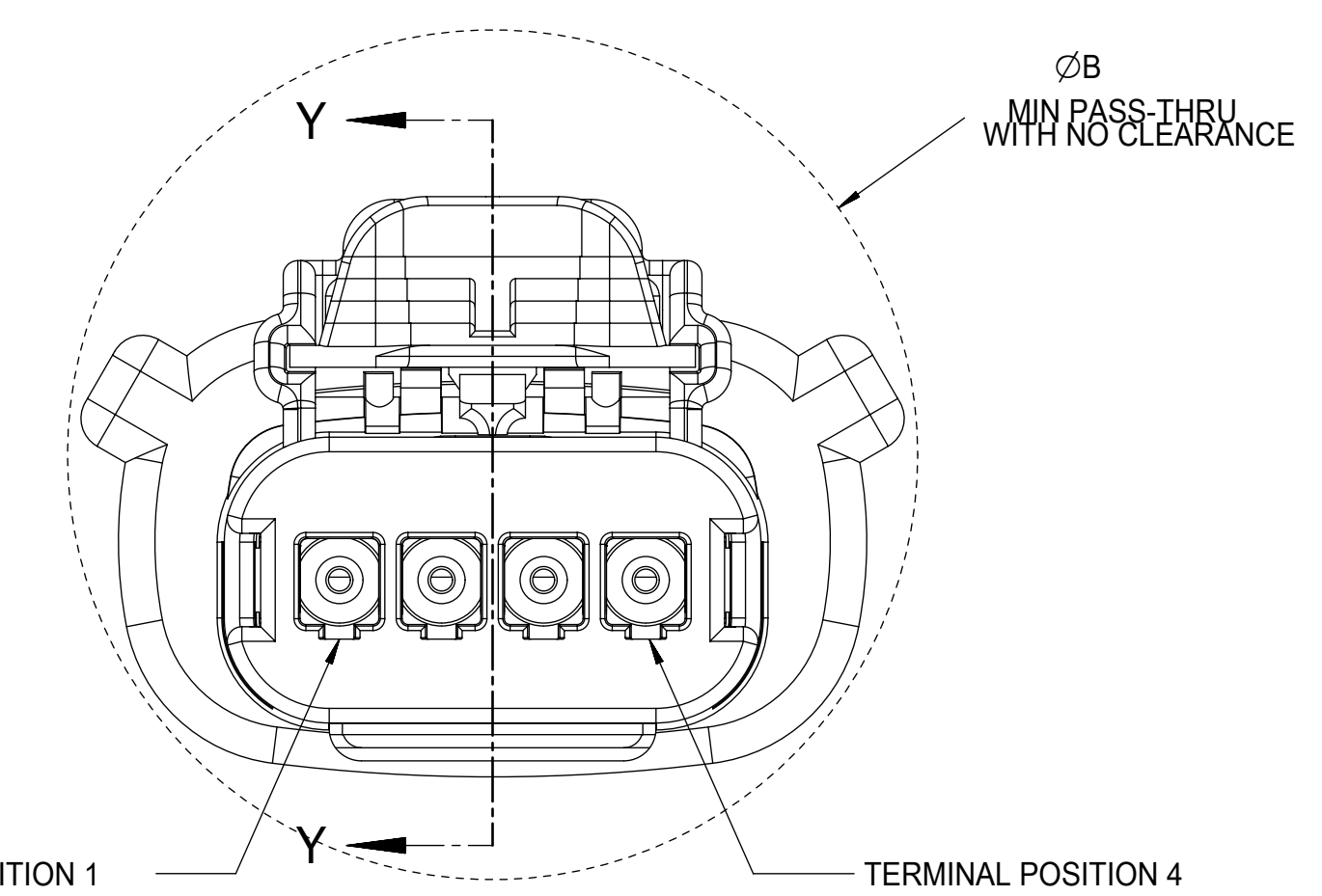
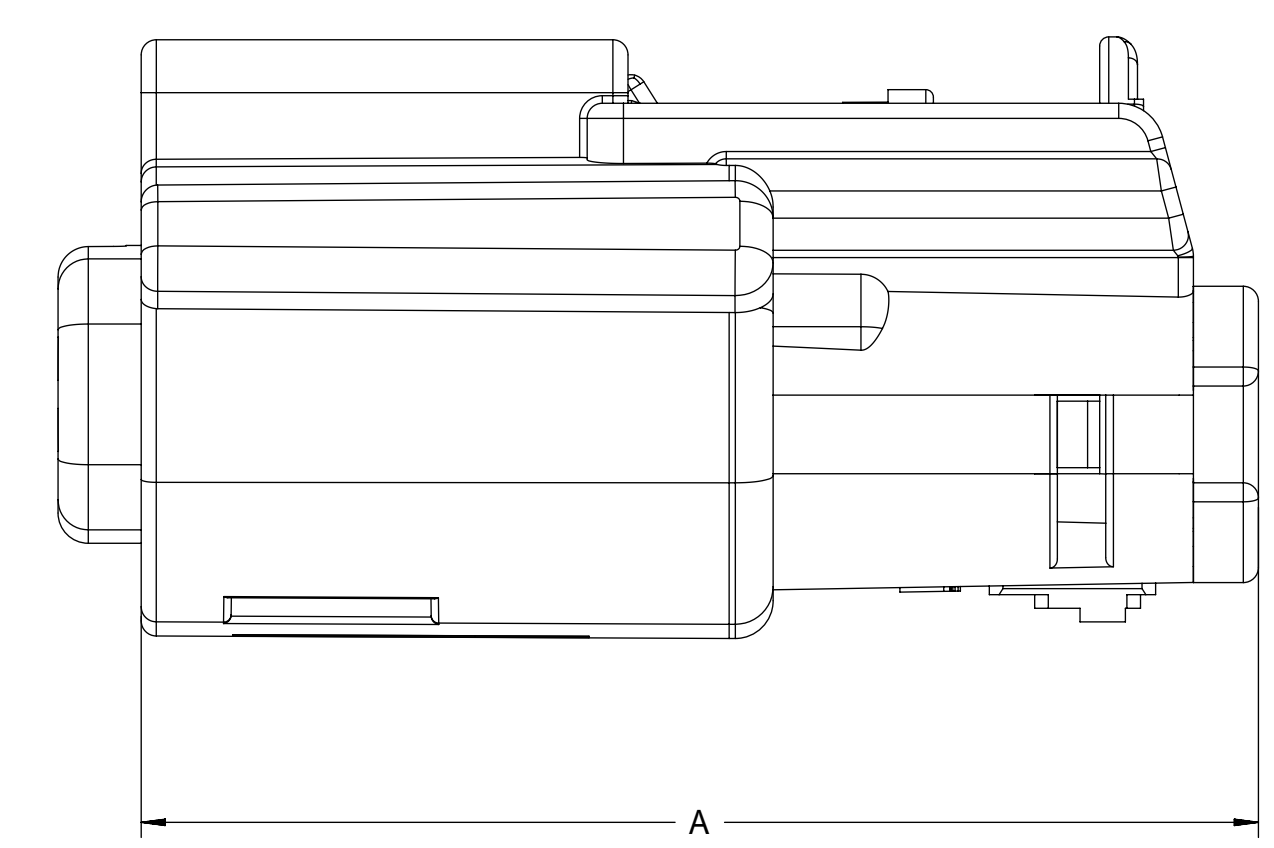
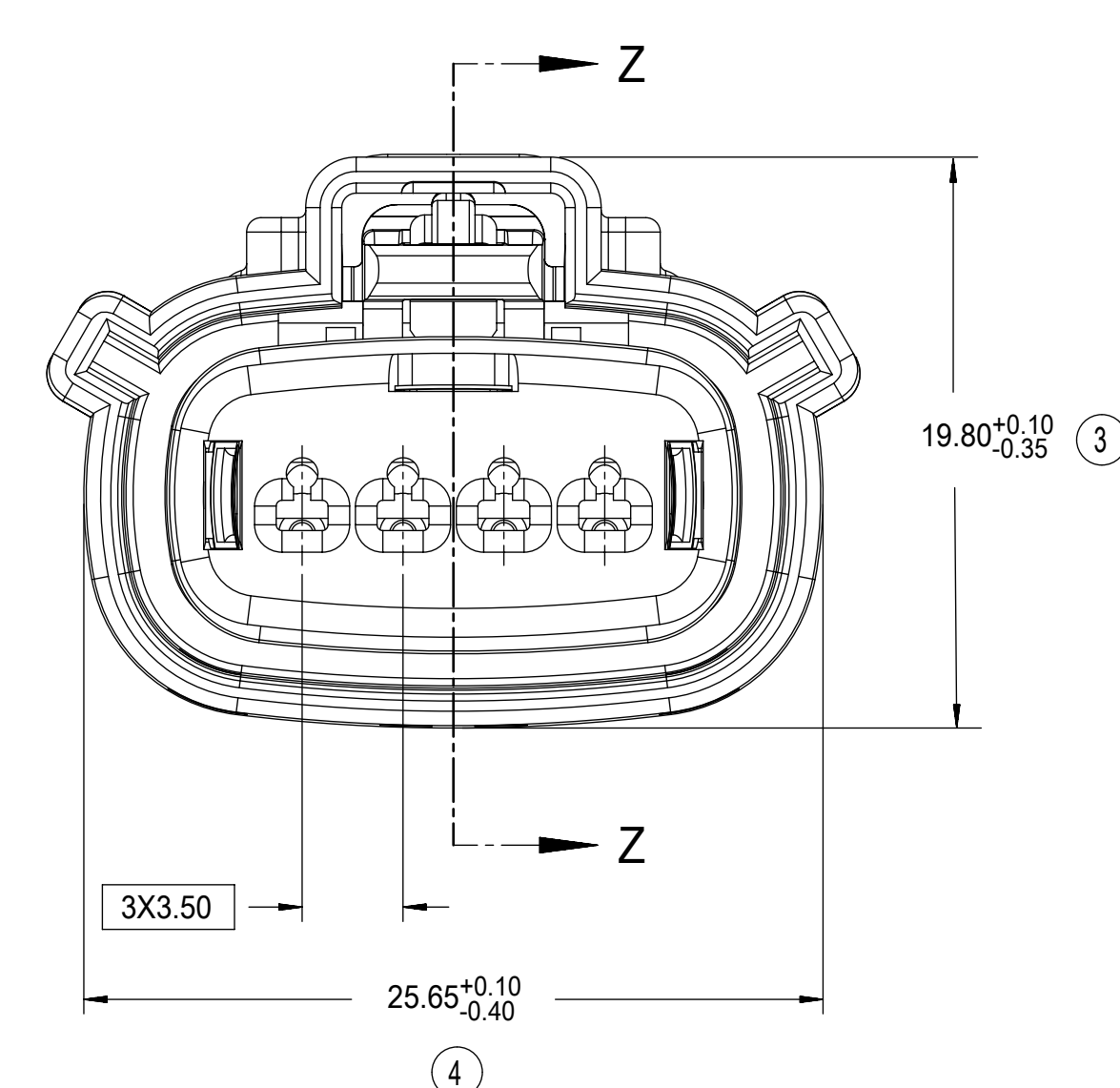
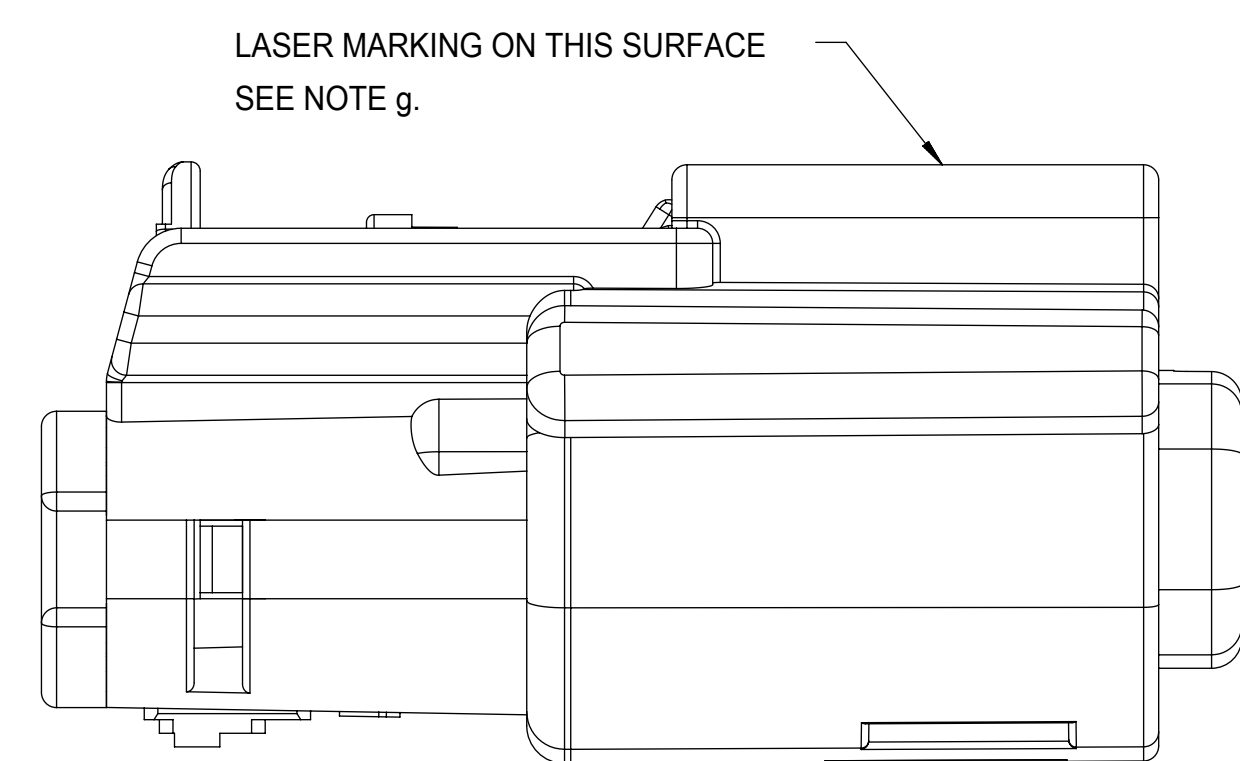


KEY C



KEY D

FUNCTIONAL SYMBOLS	THIS DRAWING CONTAINS INFORMATION THAT IS PROPRIETARY TO MOLEX ELECTRONIC TECHNOLOGIES, LLC AND SHOULD NOT BE USED WITHOUT WRITTEN PERMISSION		
	DIMENSION UNITS	SCALE	CURRENT REV DESC:
$\nabla_A = 0$	mm	4:1	EC NO: 643941 DRWN: XLDONG03 2020/08/21 CHK'D: JDENG02 2020/08/26 APPR: JDENG02 2020/08/26
$\nabla_C = 0$	GENERAL TOLERANCES (UNLESS SPECIFIED)		
$\nabla_D = 0$	ANGULAR TOL $\pm 3.0^\circ$		
DIVISIONAL SYMBOLS	4 PLACES	$\pm$	
	3 PLACES	$\pm$	INITIAL REVISION:
	2 PLACES	$\pm 0.1$	DRWN: DGRIFITHS 2010/03/31
	1 PLACE	$\pm 0.3$	APPR: VKOSHY 2010/04/06
	0 PLACES	$\pm$	
DRAFT WHERE APPLICABLE MUST REMAIN WITHIN DIMENSIONS		THIRD ANGLE PROJECTION	DRAWING SERIES
			D-SIZE 33471
DOCUMENT STATUS		RELEASE DATE	DOCUMENT NUMBER
P1	2020/08/26 07:23:56	SD-33471-041	DOC TYPE DOC PART REVISION
		SEE BOM	PSD 002 W3
		GENERAL MARKET	SHEET NUMBER
			2 OF 6



CHARTED DIMENSIONS		
CONFIGURATION	A	B
MX150 1X4 RECPT SEALED ASSY - STANDARD	36.95 ±0.70	29.14
MX150 1X4 RECPT SEALED ASSY - ERGO	36.95 ±0.90	29.33
MX150 1X4 RECPT SEALED ASSY - SHORTING (SHRT) BAR	36.95 ±0.70	29.14

<b>FUNCTIONAL SYMBOLS</b> FA = 0 FE = 0 FP = 0 <b>DIVISIONAL SYMBOLS</b>	THIS DRAWING CONTAINS INFORMATION THAT IS PROPRIETARY TO MOLEX ELECTRONIC TECHNOLOGIES, LLC AND SHOULD NOT BE USED WITHOUT WRITTEN PERMISSION		CURRENT REV DESC:		
	DIMENSION UNITS	SCALE	EC NO: 643941		
	mm	4:1	DRWN: XLDONG03	2020/08/21	
	GENERAL TOLERANCES (UNLESS SPECIFIED)		CHK'D: JDENG02	2020/08/26	
ANGULAR TOL ± 3.0°		APPR: JDENG02	2020/08/26	PRODUCT CUSTOMER DRAWING	
4 PLACES ±		INITIAL REVISION:		DOCUMENT NUMBER	DOC TYPE
3 PLACES ±		DRWN: DGRIFITHS	2010/03/31	SD-33471-041	PSD
2 PLACES ± 0.1		APPR: VKOSHY	2010/04/06	002	W3
1 PLACE ± 0.3		DRAFT WHERE APPLICABLE MUST REMAIN WITHIN DIMENSIONS		SEE BOM	GENERAL MARKET
0 PLACES ±		THIRD ANGLE PROJECTION	DRAWING	SERIES	SHEET NUMBER
			D-SIZE	33471	3 OF 6

DOCUMENT STATUS	P1	RELEASE DATE	2020/08/26	07:23:56
-----------------	----	--------------	------------	----------

ASSEMBLY DESCRIPTION	ASSEMBLY PART NUMBER	A	B	C	D	C	C	D	GCO	GCP	GCEO	GCEP	P	PS	M	CPA	1	2	3	4	STATUS	COMMENTS
VOID KEY	33471-0440																					
KEY D W/ SHRT. BAR, GREEN	33471-0439				D				GCO					PS	M						NOT RECOMMENDED	SEE P/N 33471-0481
KEY C W/ SHRT. BAR, BROWN	33471-0438				C				GCO					PS	M						NOT RECOMMENDED	SEE P/N 33471-0480
KEY B W/ SHRT. BAR, LT. GRAY	33471-0437			B					GCO					PS	M							
KEY A W/ SHRT. BAR, BLACK	33471-0436	A							GCO					PS	M						SALEABLE	
VOID KEY	33471-0435																					
KEY D W/O MAT SEAL, GREEN	33471-0434				D				GCO					P							NOT RECOMMENDED	SEE P/N 33471-0479
KEY C W/O MAT SEAL, BROWN	33471-0433				C				GCO					P							NOT RECOMMENDED	SEE P/N 33471-0478
KEY B W/O MAT SEAL, LT. GRAY	33471-0432			B					GCO					P							NOT VALIDATED	NOT VALIDATED
KEY A W/O MAT SEAL, BLACK	33471-0431	A							GCO					P							SALEABLE	NOT VALIDATED
VOID KEY	33471-0430																					
KEY D W/ CPA, GREEN	33471-0429				D				GCP					P	M	CPA	1			4	NOT RECOMMENDED	SEE P/N 33471-0477
KEY C W/ CPA, BROWN	33471-0428				C				GCP					P	M	CPA	1			4	NOT RECOMMENDED	SEE P/N 33471-0476
KEY B W/ CPA, LT. GRAY	33471-0427			B					GCP					P	M	CPA	1			4		
KEY A W/ CPA, BLACK	33471-0426	A							GCP					P	M	CPA	1			4	SALEABLE	
VOID KEY	33471-0425																					
KEY D, GREEN	33471-0424				D				GCP					P	M					4	NOT RECOMMENDED	SEE P/N 33471-0475
KEY C, BROWN	33471-0423				C				GCP					P	M					4	NOT RECOMMENDED	SEE P/N 33471-0474
KEY B, LT. GRAY	33471-0422			B					GCP					P	M					4		
KEY A, BLACK	33471-0421	A							GCP					P	M					4	SALEABLE	
VOID KEY	33471-0420																					
KEY D W/ CPA, GREEN	33471-0419				D				GCP					P	M	CPA				4	NOT RECOMMENDED	SEE P/N 33471-0473
KEY C W/ CPA, BROWN	33471-0418				C				GCP					P	M	CPA				4	NOT RECOMMENDED	SEE P/N 33471-0472
KEY B W/ CPA, LT. GRAY	33471-0417			B					GCP					P	M	CPA				4		
KEY A W/ CPA, BLACK	33471-0416	A							GCP					P	M	CPA				4	SALEABLE	
VOID KEY	33471-0415																					
KEY D, GREEN	33471-0414				D				GCP					P	M					4	NOT RECOMMENDED	SEE P/N 33471-0471
KEY C, BROWN	33471-0413				C				GCP					P	M					4	NOT RECOMMENDED	SEE P/N 33471-0470
KEY B, LT. GRAY	33471-0412			B					GCP					P	M					4		
KEY A, BLACK	33471-0411	A							GCP					P	M					4	SALEABLE	
KEY C W/ CPA, BLACK	33471-0410					C			GCO					P	M	CPA						
KEY D W/ CPA, GREEN	33471-0409				D				GCO					P	M	CPA					NOT RECOMMENDED	SEE P/N 33471-0465
KEY C W/ CPA, BROWN	33471-0408				C				GCO					P	M	CPA					NOT RECOMMENDED	SEE P/N 33471-0464
KEY B W/ CPA, LT. GRAY	33471-0407			B					GCO					P	M	CPA						
KEY A W/ CPA, BLACK	33471-0406	A							GCO					P	M	CPA					SALEABLE	
VOID KEY	33471-0405																					
KEY D, GREEN	33471-0404				D				GCO					P	M						NOT RECOMMENDED	SEE P/N 33471-0463
KEY C, BROWN	33471-0403				C				GCO					P	M						NOT RECOMMENDED	SEE P/N 33471-0462
KEY B, LT. GRAY	33471-0402			B					GCO					P	M							
KEY A, BLACK	33471-0401	A							GCO					P	M						SALEABLE	

DESCRIPTION	COLOR	MATERIAL
RING SEAL	BURNT ORANGE	INHERENTLY LUBRICATED SILICONE
CPA	BRIGHT RED	PBT GF30
MAT SEAL	LIGHT BLUE	INHERENTLY LUBRICATED SILICONE
SHORTING BAR PLR	NATURAL	SPS/NYLON GF20
STANDARD PLR	NATURAL	SPS/NYLON GF20
ERGONOMIC GROMMET CAP, PLUGGED	BLACK	SPS/NYLON GF20
ERGONOMIC GROMMET CAP, OPEN	BLACK	SPS/NYLON GF20
STANDARD GROMMET CAP, PLUGGED	BLACK	SPS/NYLON GF20
STANDARD GROMMET CAP, OPEN	BLACK	SPS/NYLON GF20
HOUSING KEYING OPTION D	STONE GRAY	SPS/NYLON GF20
HOUSING KEYING OPTION C	DARK GRAY	SPS/NYLON GF20
HOUSING KEYING OPTION C	BLACK	SPS/NYLON GF20
HOUSING KEYING OPTION D	GREEN	SPS/NYLON GF20
HOUSING KEYING OPTION C	BROWN	SPS/NYLON GF20
HOUSING KEYING OPTION B	LIGHT GRAY	SPS/NYLON GF20
HOUSING KEYING OPTION A	BLACK	SPS/NYLON GF20

BOM/APPLICABLE COMPONENTS TABLE

ABREVIATION	COMPONENT
A	HOUSING KEY A
B	HOUSING KEY B
C	HOUSING KEY C
D	HOUSING KEY D
GCO	GROMMET CAP, STANDARD, OPEN
GCP	GROMMET CAP, STANDARD, PLUGGED
GCEO	GROMMET CAP, ERGONOMIC, OPEN
GCEP	GROMMET CAP, ERGONOMIC, PLUGGED
M	MAT SEAL
P	PLR, STANDARD
PS	PLR, SHRT. BAR LIFTER
R	RING SEAL
CPA	CPA

FUNCTIONAL SYMBOLS	THIS DRAWING CONTAINS INFORMATION THAT IS PROPRIETARY TO MOLEX ELECTRONIC TECHNOLOGIES, LLC AND SHOULD NOT BE USED WITHOUT WRITTEN PERMISSION
FA = 0	DIMENSION UNITS: mm
FC = 0	SCALE
FP = 0	CURRENT REV DESC:
DIVISIONAL SYMBOLS	GENERAL TOLERANCES (UNLESS SPECIFIED)
	ANGULAR TOL ± 3.0°
	4 PLACES ±
	3 PLACES ±
	2 PLACES ± 0.1
	1 PLACE ± 0.3
	0 PLACES ±
	DRAFT WHERE APPLICABLE MUST REMAIN WITHIN DIMENSIONS
	THIRD ANGLE PROJECTION
	DRAWING: D-SIZE
	SERIES: 33471
	MATERIAL NUMBER: SEE BOM
	CUSTOMER: GENERAL MARKET
	SHEET NUMBER: 4 OF 6

<b>molex</b>			
MX150 1X4 RECEPTACLE SEALED ASSEMBLY MAT SEAL			
PRODUCT CUSTOMER DRAWING			
DOCUMENT NUMBER	DOC TYPE	DOC PART	REVISION
SD-33471-041	PSD	002	W3


ASSEMBLY DESCRIPTION	ASSEMBLY PART NUMBER	A	B	C	D	C	C	D	GCO	GCP	GCEO	GCEP	P	PS	M	CPA	1	2	3	4	STATUS	COMMENTS	
KEY C W/ SHRT. BAR, DARK GRAY	33471-0480								C	GCO					PS	M					SALEABLE		
KEY D W/O MAT SEAL, STONE GRAY	33471-0479								D	GCO					P						SALEABLE		
KEY C W/O MAT SEAL, DARK GRAY	33471-0478								C	GCO					P						SALEABLE		
KEY D W/ CPA, STONE GRAY	33471-0477								D		GCP				P	M	CPA	1		4	SALEABLE		
KEY C W/ CPA, DARK GRAY	33471-0476								C		GCP				P	M	CPA	1		4	SALEABLE		
KEY D, STONE GRAY	33471-0475								D		GCP				P	M		1		4	SALEABLE		
KEY C, DARK GRAY	33471-0474								C		GCP				P	M		1		4	SALEABLE		
KEY D W/ CPA, STONE GRAY	33471-0473								D		GCP				P	M	CPA			4	SALEABLE		
KEY C W/ CPA, DARK GRAY	33471-0472								C		GCP				P	M	CPA			4	SALEABLE		
KEY D, STONE GRAY	33471-0471								D		GCP				P	M				4	SALEABLE		
KEY C, DARK GRAY	33471-0470								C		GCP				P	M				4	SALEABLE		
KEY A, BLACK	33471-0469	A									GCP				P	M		2		4	SALEABLE		
KEY B, W/ CPA, LIGHT GRAY	33471-0468		B								GCP				P	M	CPA		2				
KEY A, BLACK	33471-0467	A									GCP				P	M			3	4	SALEABLE		
KEY B, LIGHT GRAY	33471-0466		B								GCP				P	M		1	2				
KEY D W/ CPA, STONE GRAY	33471-0465								D	GCO					P	M	CPA						
KEY C W/ CPA, DARK GRAY	33471-0464								C	GCO					P	M	CPA						
KEY D, STONE GRAY	33471-0463								D	GCO					P	M							
KEY C, DARK GRAY	33471-0462								C	GCO					P	M							
KEY A W/ CPA & ERGO. CAP, BLACK	33471-0461	A								GCEO					P	M	CPA						
VOID KEY	33471-0460																						
KEY A, BLACK	33471-0459	A									GCP				P	M			3		SALEABLE		
KEY A W/ SHRT. BAR, BLACK	33471-0458	A									GCP				PS	M		1		4	SALEABLE		
KEY D W/ SHRT. BAR, GREEN	33471-0457				D						GCP				PS	M				4	NOT RECOMMENDED	SEE P/N 33471-0488	
VOID KEY	33471-0456																						
KEY D W/ SHRT. BAR, GREEN	33471-0455				D						GCP				PS	M		1	2	3	4	NOT RECOMMENDED	SEE P/N 33471-0487
KEY C W/ SHRT. BAR, BROWN	33471-0454				C						GCP				PS	M		1	2	3	4	NOT RECOMMENDED	SEE P/N 33471-0486
KEY B W/ SHRT. BAR, LT. GRAY	33471-0453		B								GCP				PS	M		1	2	3	4		
KEY A W/ SHRT. BAR, BLACK	33471-0452	A									GCP				PS	M		1	2	3	4	SALEABLE	
KEY A W/ SHRT. BAR, BLACK	33471-0451	A									GCP				PS	M				3	4	SALEABLE	
VOID KEY	33471-0450																						
KEY D W/ CPA & SHRT. BAR, GREEN	33471-0449				D						GCO				PS	M	CPA					NOT RECOMMENDED	SEE P/N 33471-0485
KEY C W/ CPA & SHRT. BAR, BROWN	33471-0448				C						GCO				PS	M	CPA					NOT RECOMMENDED	SEE P/N 33471-0484
KEY B W/ CPA & SHRT. BAR, LT. GRAY	33471-0447		B								GCO				PS	M	CPA						
KEY A W/ CPA & SHRT. BAR, BLACK	33471-0446	A									GCO				PS	M	CPA					SALEABLE	
VOID KEY	33471-0445																						
KEY D, GREEN	33471-0444				D						GCP				P	M		1	2	3	4	NOT RECOMMENDED	SEE P/N 33471-0483
KEY C, BROWN	33471-0443				C						GCP				P	M		1	2	3	4	NOT RECOMMENDED	SEE P/N 33471-0482
KEY B, LT. GRAY	33471-0442		B								GCP				P	M		1	2	3	4		
KEY A, BLACK	33471-0441	A									GCP				P	M		1	2	3	4	SALEABLE	

DESCRIPTION	COLOR	MATERIAL
RING SEAL	BURNT ORANGE	INHERENTLY LUBRICATED SILICONE
CPA	BRIGHT RED	PBT GF30
MAT SEAL	LIGHT BLUE	INHERENTLY LUBRICATED SILICONE
SHORTING BAR PLR	NATURAL	SPS/NYLON GF20
STANDARD PLR	NATURAL	SPS/NYLON GF20
ERGONOMIC GROMMET CAP, PLUGGED	BLACK	SPS/NYLON GF20
ERGONOMIC GROMMET CAP, OPEN	BLACK	SPS/NYLON GF20
STANDARD GROMMET CAP, PLUGGED	BLACK	SPS/NYLON GF20
STANDARD GROMMET CAP, OPEN	BLACK	SPS/NYLON GF20
HOUSING KEYING OPTION D	STONE GRAY	SPS/NYLON GF20
HOUSING KEYING OPTION C	DARK GRAY	SPS/NYLON GF20
HOUSING KEYING OPTION C	BLACK	SPS/NYLON GF20
HOUSING KEYING OPTION D	GREEN	SPS/NYLON GF20
HOUSING KEYING OPTION C	BROWN	SPS/NYLON GF20
HOUSING KEYING OPTION B	LIGHT GRAY	SPS/NYLON GF20
HOUSING KEYING OPTION A	BLACK	SPS/NYLON GF20

BOM/APPLICABLE COMPONENTS TABLE

ABREVIATION	COMPONENT
A	HOUSING KEY A
B	HOUSING KEY B
C	HOUSING KEY C
D	HOUSING KEY D
GCO	GROMMET CAP, STANDARD, OPEN
GCP	GROMMET CAP, STANDARD, PLUGGED
GCEO	GROMMET CAP, ERGONOMIC, OPEN
GCEP	GROMMET CAP, ERGONOMIC, PLUGGED
M	MAT SEAL
P	PLR, STANDARD
PS	PLR, SHRT. BAR LIFTER
R	RING SEAL
CPA	CPA

FUNCTIONAL SYMBOLS	THIS DRAWING CONTAINS INFORMATION THAT IS PROPRIETARY TO MOLEX ELECTRONIC TECHNOLOGIES, LLC AND SHOULD NOT BE USED WITHOUT WRITTEN PERMISSION	CURRENT REV DESC:
$F_A = 0$	DIMENSION UNITS: mm	SCALE:
$F_C = 0$	GENERAL TOLERANCES (UNLESS SPECIFIED)	EC NO: 643941
$F_P = 0$	ANGULAR TOL $\pm 3.0^\circ$	DRWN: XLDONG03 2020/08/21
DIVISIONAL SYMBOLS	4 PLACES $\pm$	CHK'D: JDENG02 2020/08/26
	3 PLACES $\pm$	APPR: JDENG02 2020/08/26
	2 PLACES $\pm 0.1$	INITIAL REVISION:
	1 PLACE $\pm 0.3$	DRWN: DGRIFITHS 2010/03/31
	0 PLACES $\pm$	APPR: VKOSHY 2010/04/06
DRAFT WHERE APPLICABLE MUST REMAIN WITHIN DIMENSIONS	THIRD ANGLE PROJECTION	DRAWING: D-SIZE
		SERIES: 33471
DOCUMENT STATUS: P1	RELEASE DATE: 2020/08/26 07:23:56	MATERIAL NUMBER: SEE BOM
		CUSTOMER: GENERAL MARKET
		SHEET NUMBER: 5 OF 6



MX150 1X4 RECEPTACLE SEALED ASSEMBLY MAT SEAL

PRODUCT CUSTOMER DRAWING

DOCUMENT NUMBER: SD-33471-041    DOC TYPE: PSD    DOC PART: 002    REVISION: W3

ASSEMBLY DESCRIPTION	ASSEMBLY PART NUMBER	A	B	C	D	C	C	D	A	GCO	GCP	GCEO	GCEP	P	PS	M	CPA	1	2	3	4	STATUS	COMMENTS	
KEY B, LT.GRAY	33471-0494		B								GCP			P		M				2	3		SALEABLE	
KEY A W/ CPA, BLACK	33471-0493	A									GCP			P		M	CPA			2			SALEABLE	
KEY A W/ CPA & SHRT. BAR, YELLOW	33471-0492								A	GCO					PS	M	CPA						SALEABLE	
KEY A W/ CPA, YELLOW	33471-0491								A	GCO				P		M	CPA						SALEABLE	
KEY A W/ CPA, BLACK	33471-0490	A									GCP			P		M	CPA				3		SALEABLE	
KEY A, BLACK	33471-0489	A									GCP			P		M				2			SALEABLE	
KEY D W/ SHRT. BAR, STONE GRAY	33471-0488							D			GCP				PS	M						4	SALEABLE	
KEY D W/ SHRT. BAR, STONE GRAY	33471-0487							D			GCP				PS	M		1	2	3	4		SALEABLE	
KEY C W/ SHRT. BAR, DARK GRAY	33471-0486					C					GCP				PS	M		1	2	3	4		SALEABLE	
KEY D W/ CPA & SHRT. BAR, STONE GRAY	33471-0485							D			GCO				PS	M	CPA						SALEABLE	
KEY C W/ CPA & SHRT. BAR, DARK GRAY	33471-0484					C					GCO				PS	M	CPA						SALEABLE	
KEY D, STONE GRAY	33471-0483							D			GCP			P		M		1	2	3	4		SALEABLE	
KEY C, DARK GRAY	33471-0482					C					GCP			P		M		1	2	3	4		SALEABLE	
KEY D W/ SHRT. BAR, STONE GRAY	33471-0481							D			GCO				PS	M							SALEABLE	

W2

DESCRIPTION	COLOR	MATERIAL
RING SEAL	BURNT ORANGE	INHERENTLY LUBRICATED SILICONE
CPA	BRIGHT RED	PBT GF30
MAT SEAL	LIGHT BLUE	INHERENTLY LUBRICATED SILICONE
SHORTING BAR PLR	NATURAL	SPS/NYLON GF20
STANDARD PLR	NATURAL	SPS/NYLON GF20
ERGONOMIC GROMMET CAP, PLUGGED	BLACK	SPS/NYLON GF20
ERGONOMIC GROMMET CAP, OPEN	BLACK	SPS/NYLON GF20
STANDARD GROMMET CAP, PLUGGED	BLACK	SPS/NYLON GF20
STANDARD GROMMET CAP, OPEN	BLACK	SPS/NYLON GF20
HOUSING KEYING OPTION A	YELLOW	SPS/NYLON GF20
HOUSING KEYING OPTION D	STONE GRAY	SPS/NYLON GF20
HOUSING KEYING OPTION C	DARK GRAY	SPS/NYLON GF20
HOUSING KEYING OPTION C	BLACK	SPS/NYLON GF20
HOUSING KEYING OPTION D	GREEN	SPS/NYLON GF20
HOUSING KEYING OPTION C	BROWN	SPS/NYLON GF20
HOUSING KEYING OPTION B	LIGHT GRAY	SPS/NYLON GF20
HOUSING KEYING OPTION A	BLACK	SPS/NYLON GF20

ABREVIATION	COMPONENT
A	HOUSING KEY A
B	HOUSING KEY B
C	HOUSING KEY C
D	HOUSING KEY D
GCO	GROMMET CAP, STANDARD, OPEN
GCP	GROMMET CAP, STANDARD, PLUGGED
GCEO	GROMMET CAP, ERGONOMIC, OPEN
GCEP	GROMMET CAP, ERGONOMIC, PLUGGED
M	MAT SEAL
P	PLR, STANDARD
PS	PLR, SHRT. BAR LIFTER
R	RING SEAL
CPA	CPA

FUNCTIONAL SYMBOLS	THIS DRAWING CONTAINS INFORMATION THAT IS PROPRIETARY TO MOLEX ELECTRONIC TECHNOLOGIES, LLC AND SHOULD NOT BE USED WITHOUT WRITTEN PERMISSION
FA = 0	DIMENSION UNITS: mm
FC = 0	SCALE
FP = 0	CURRENT REV DESC:
DIVISIONAL SYMBOLS	GENERAL TOLERANCES (UNLESS SPECIFIED)
	ANGULAR TOL ± 3.0°
	4 PLACES ±
	3 PLACES ±
	2 PLACES ± 0.1
	1 PLACE ± 0.3
	0 PLACES ±
	DRAFT WHERE APPLICABLE MUST REMAIN WITHIN DIMENSIONS
	THIRD ANGLE PROJECTION
	DRAWING: D-SIZE
	SERIES: 33471
	EC NO: 643941
	DRWN: XLDONG03 2020/08/21
	CHK'D: JDENG02 2020/08/26
	APPR: JDENG02 2020/08/26
	INITIAL REVISION: DRWN: DGRAFFITHS 2010/03/31
	APPR: VKOSHY 2010/04/06
	DOCUMENT NUMBER: SD-33471-041
	DOC TYPE: PSD
	DOC PART: 002
	REVISION: W3
	MATERIAL NUMBER: SEE BOM
	CUSTOMER: GENERAL MARKET
	SHEET NUMBER: 6 OF 6