

324485 ✓ ACTIVE

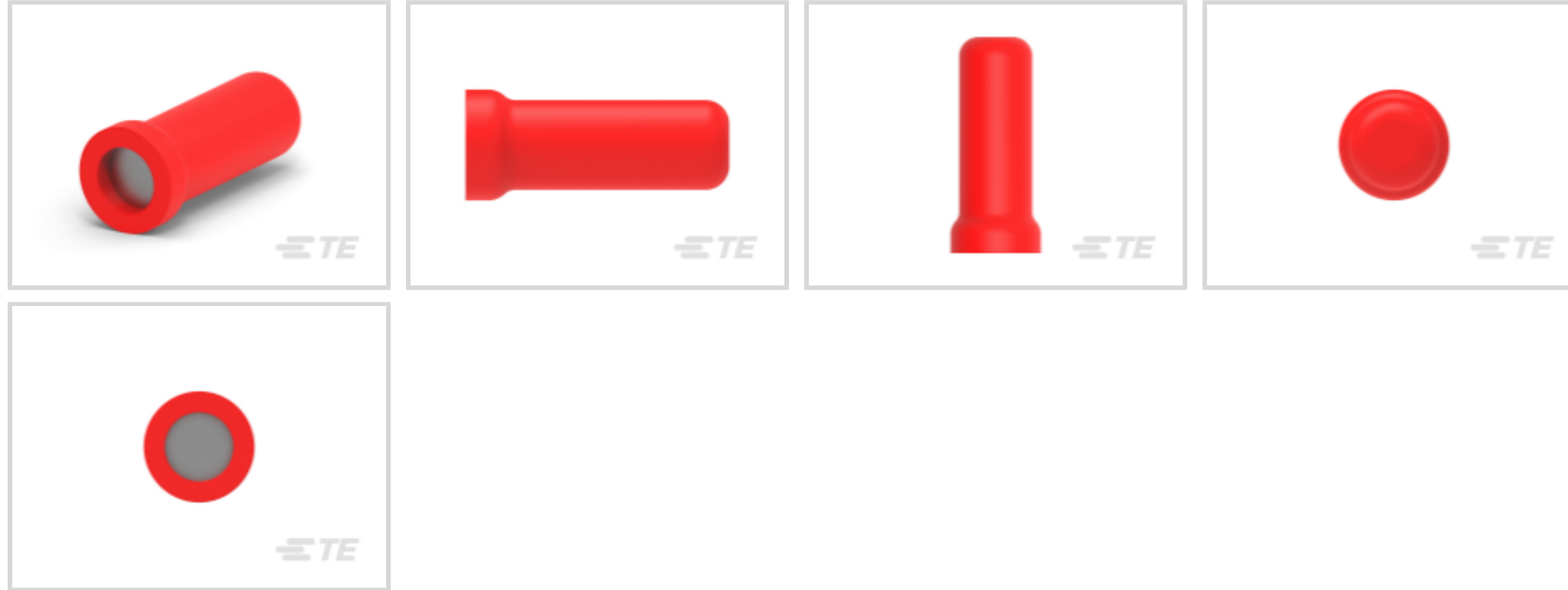
TE Internal #: 324485

Splices, Copper, Red, Closed End Splice Splice, Length .515 in [13.08 mm], Loose Piece, Closed, Discrete Wire, Stranded / Solid Wire, Fully Insulated

[View on TE.com >](#)



Terminals & Splices > Splices



Sealable: **No**

Primary Product Material: **Copper**

Primary Product Color: **Red**

Splice Type: **Closed End Splice**

Terminal Material Thickness: **.51 mm [ .02 in ]**

## Features

### Product Type Features

Splice Accessory Type	Wire Cap
Sealable	No
Splice Type	Closed End Splice
Serrated	No
Compatible With Discrete Wire Type	Solid, Stranded
Wire Insulation Support Retention Type	Non-Insulation Support

### Configuration Features

Compatible With Wire & Cable Type	Discrete Wire
-----------------------------------	---------------

### Body Features

Insulation Sleeve Material	Nylon
Plating Material	Tin
Insulation Material	Nylon
Primary Product Material	Copper
Primary Product Color	Red



### Contact Features

Barrel Type	Closed
-------------	--------

### Mechanical Attachment

Wire Insulation Support	Without
-------------------------	---------

### Dimensions

Outside Diameter	4.98 mm[.196 in]
Terminal Material Thickness	.51 mm[.02 in]
Overall Product Length	13.08 mm[.515 in]

### Usage Conditions

Insulation Option	Fully Insulated
Operating Temperature Range	105 °C[221 °F]

### Operation/Application

Heavy Duty	No
------------	----

### Industry Standards

Government Qualified Splice	No
-----------------------------	----

### Packaging Features

Packaging Quantity	1000
Packaging Method	Loose Piece

### Other

Military Category	No
-------------------	----

### Product Compliance

[For compliance documentation, visit the product page on TE.com>](#)

EU RoHS Directive 2011/65/EU	Compliant
EU ELV Directive 2000/53/EC	Compliant
China RoHS 2 Directive MIIT Order No 32, 2016	No Restricted Materials Above Threshold
EU REACH Regulation (EC) No. 1907/2006	Current ECHA Candidate List: JUNE 2022 (224) Candidate List Declared Against: JAN 2022 (223) SVHC > Threshold: Not Yet Reviewed
Halogen Content	Low Halogen - Br, Cl, F, I < 900 ppm per homogenous material. Also BFR/CFR/PVC

Free

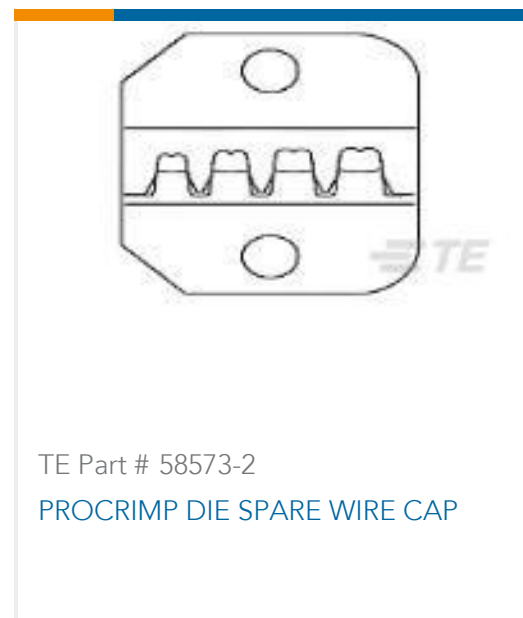
Solder Process Capability

Not applicable for solder process capability

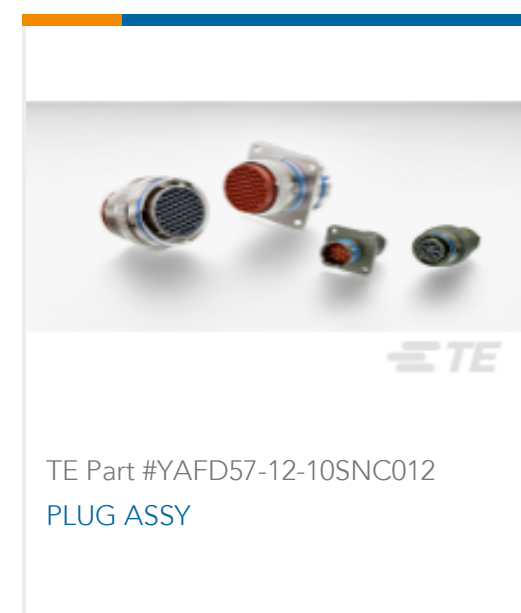
Product Compliance Disclaimer

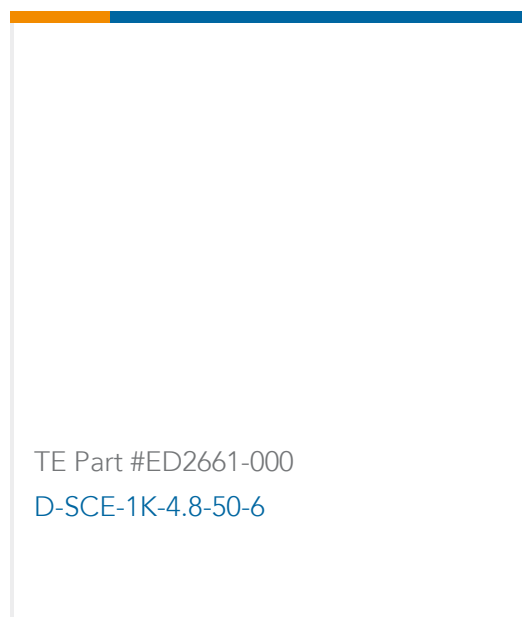
This information is provided based on reasonable inquiry of our suppliers and represents our current actual knowledge based on the information they provided. This information is subject to change. The part numbers that TE has identified as EU RoHS compliant have a maximum concentration of 0.1% by weight in homogenous materials for lead, hexavalent chromium, mercury, PBB, PBDE, DBP, BBP, DEHP, DIBP, and 0.01% for cadmium, or qualify for an exemption to these limits as defined in the Annexes of Directive 2011/65/EU (RoHS2). Finished electrical and electronic equipment products will be CE marked as required by Directive 2011/65/EU. Components may not be CE marked. Additionally, the part numbers that TE has identified as EU ELV compliant have a maximum concentration of 0.1% by weight in homogenous materials for lead, hexavalent chromium, and mercury, and 0.01% for cadmium, or qualify for an exemption to these limits as defined in the Annexes of Directive 2000/53/EC (ELV). Regarding the REACH Regulation, the information TE provides on SVHC in articles for this part number is based on the latest European Chemicals Agency (ECHA) 'Guidance on requirements for substances in articles' posted at this URL: <https://echa.europa.eu/guidance-documents/guidance-on-reach>

### Compatible Parts



### Customers Also Bought





## Documents

### Product Drawings

[SPARE WIRE CAP,RED .080-.115 INS.](#)

English

### CAD Files

#### 3D PDF

3D

Customer View Model

[ENG\\_CVM\\_CVM\\_324485\\_L.2d\\_dxf.zip](#)

English

Customer View Model

[ENG\\_CVM\\_CVM\\_324485\\_L.3d\\_igs.zip](#)

English

Customer View Model

[ENG\\_CVM\\_CVM\\_324485\\_L.3d\\_stp.zip](#)

English

#### 3D PDF

English

Customer View Model

[ENG\\_CVM\\_324485\\_N.2d\\_dxf.zip](#)

English

Customer View Model

[ENG\\_CVM\\_324485\\_N.3d\\_igs.zip](#)

English

Customer View Model

[ENG\\_CVM\\_324485\\_N.3d\\_stp.zip](#)

English

By downloading the CAD file I accept and agree to the [Terms and Conditions](#) of use.

### Agency Approvals

[CSA Certificate](#)

English