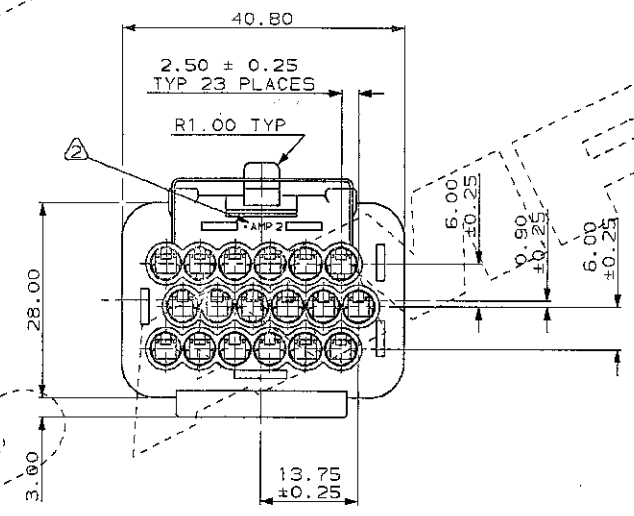
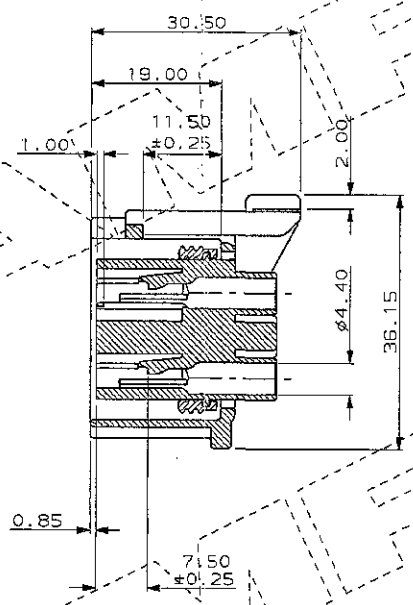
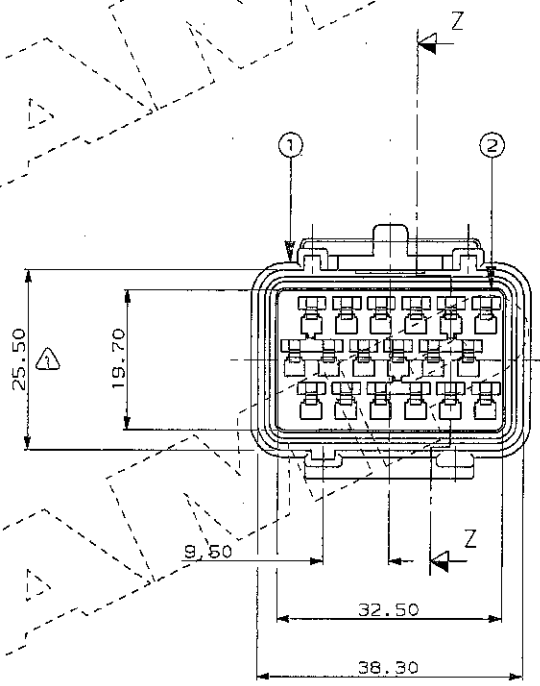
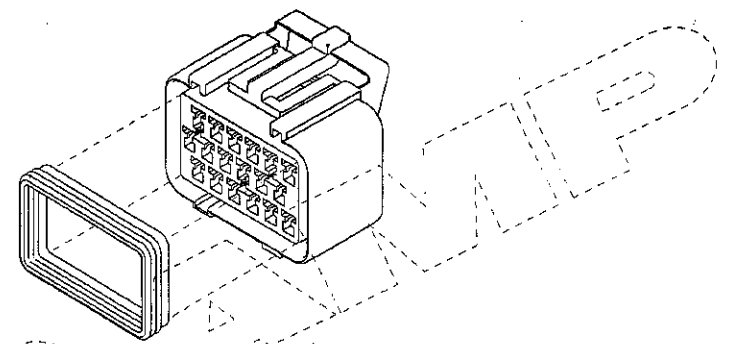
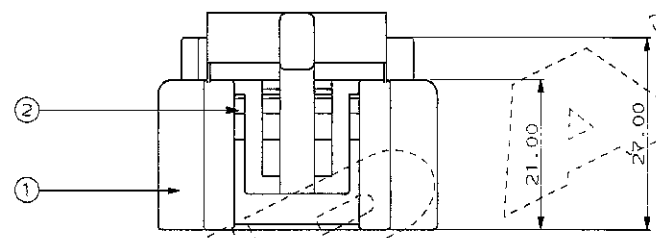



PARTICLE CODE  
C344106

DO NOT SCALE      DIMENSIONS IN MM.



**NOTES:**  
 1. THIS DIMENSION IS TO APPLY AT THE CORNERS OF THE SHROUD AND IS A CONTROL DIMENSION  
 2. AMP STAMP, DOT CODE & IMPRESSION NUMBER.

2	SILICONE	PERIPHERAL SEAL	1	344106-1
1	NYLON 66	18 WAY REC. HSG.	1	
ITEM No.	MATERIAL	DESCRIPTION	QTY. PER ASSY.	ASSEMBLY PART No.

CUSTOMER DWG FOR REFERENCE ONLY				© COPYRIGHT 1987 BY AMP OF GREAT BRITAIN LTD. 22-6-87 ALL INTERNATIONAL RIGHTS RESERVED. ALL PRODUCTS MAY BE COVERED BY BRITISH AND FOREIGN PATENTS AND/OR PATENTS PENDING.		RELEASED FOR PUBLICATION 22-6-87	
-	-	-	-	TOLERANCES UNLESS OTHERWISE STATED :		DR. <i>Mark Wood</i>	
-	-	-	-	DEC ± 0.5		CH. R. J. S.      APP. R. J. S.	
-	-	-	-	ANGLES ± 1°		 TERMINAL HOUSE STANMORE MDDK.	
B	PERIPHERAL SEAL HDV SILICONE	EB06-095B-87	4-2-87	NAME 18 WAY RECEPTACLE HOUSING ASSY. FOR ECONOSEAL 3 (WIRE TO BOARD)			
A	WAXED PIVOT GAUGE	CS283	02-05-88	SCALE	LOC	SIZE	DWG. No.
0	RELEASE FOR PRODUCTION	C4828	20-7-88	2/1	E	A2	c344106
REV	APPROVED	ECN	DATE	REV	REV	SHEET	
				B	1/1		