

3-2219210-3 ✓ ACTIVE

AMP MCP Connector System, AMP MCP Hybrids

TE Internal #: 3-2219210-3

Housing for Female Terminals, Wire-to-Device / Wire-to-Board, 38

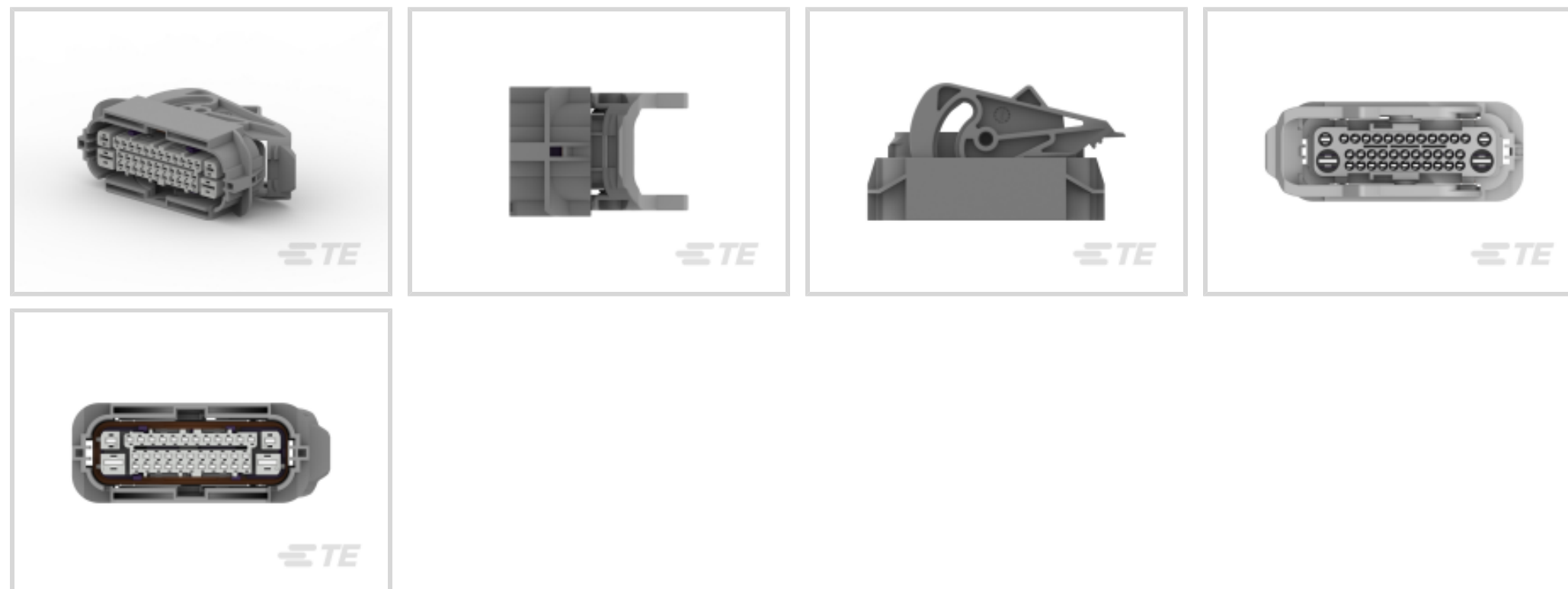
Position, 2.26 in / 2.19 in / .157 in [57.6 mm / 55.8 mm / 4 mm]

Centerline, Hybrid

[View on TE.com >](#)



Connectors > Automotive Connectors > Connector Housings > AMP MCP, SEALED CONNECTOR HOUSING



Connector & Housing Type: **Housing for Female Terminals**

Mating Tab Width: 1.5 mm, 2.8 mm, 6.3 mm [.059 in, .11 in, 2.48 in]

Connector System: **Wire-to-Board, Wire-to-Device**

Number of Positions: 38

Centerline (Pitch): 4 mm, 55.8 mm, 57.6 mm [.157 in, 2.19 in, 2.26 in]

[All AMP MCP, SEALED CONNECTOR HOUSING \(158\)](#)

Features

Product Type Features

Connector & Housing Shape	Rectangular
Connector & Housing Type	Housing for Female Terminals
Connector System	Wire-to-Board, Wire-to-Device
Sealable	Yes
Hybrid Connector	Yes
Primary Locking Feature	On the Terminal

Configuration Features

Number of Positions	38
Number of Rows	3

Body Features

Cable Exit Angle	90°
Body Material	PBT GF



Primary Product Color	Black
-----------------------	-------

Connector Code	2
----------------	---

Contact Features

Contact Size	1.5K, 2.8K, 4.8K, 6.3mm
--------------	-------------------------

Contact Type	Receptacle
--------------	------------

Mating Tab Width	1.5 mm, 2.8 mm, 6.3 mm [.059 in][.11 in][2.48 in]
------------------	---

Mechanical Attachment

Mounting Feature	Without
------------------	---------

Terminal Position Assurance	Yes
-----------------------------	-----

Strain Relief	Add By Accessory
---------------	------------------

Mating Alignment Type	Keyed
-----------------------	-------

Mating Alignment	With
------------------	------

Connector Mounting Type	Cable Mount (Free-Hanging)
-------------------------	----------------------------

Housing Features

Centerline (Pitch)	4 mm, 55.8 mm, 57.6 mm [.157 in][2.19 in][2.26 in]
--------------------	--

Dimensions

Product Width	93.59 mm[3.685 in]
---------------	--------------------

Product Length	49.83 mm[1.962 in]
----------------	--------------------

Product Height	36.1 mm[1.421 in]
----------------	-------------------

Row-to-Row Spacing	4 mm [.157 in]
--------------------	----------------

Usage Conditions

Operating Temperature (Max)	70 °C, 75 °C, 80 °C, 85 °C, 90 °C, 100 °C, 105 °C, 110 °C, 120 °C, 125 °C [158 °F][167 °F][176 °F][185 °F][194 °F][212 °F][221 °F][230 °F][248 °F][257 °F]
-----------------------------	--

Operating Temperature Range	-40 – 125 °C [-40 – 257 °F]
-----------------------------	-----------------------------

Operation/Application

Circuit Application	Power & Signal
---------------------	----------------

Industry Standards

UL Flammability Rating	UL 94HB
------------------------	---------

Other

Serviceable	Yes
Connector Position Assurance Capable	No

Product Compliance

[For compliance documentation, visit the product page on TE.com>](#)

EU RoHS Directive 2011/65/EU	Compliant
EU ELV Directive 2000/53/EC	Compliant
China RoHS 2 Directive MIIT Order No 32, 2016	No Restricted Materials Above Threshold
EU REACH Regulation (EC) No. 1907/2006	Current ECHA Candidate List: JUNE 2022 (224) Candidate List Declared Against: JUL 2021 (219) SVHC > Threshold: Not Yet Reviewed
Halogen Content	Low Halogen - Br, Cl, F, I < 900 ppm per homogenous material. Also BFR/CFR/PVC Free
Solder Process Capability	Not applicable for solder process capability

Product Compliance Disclaimer

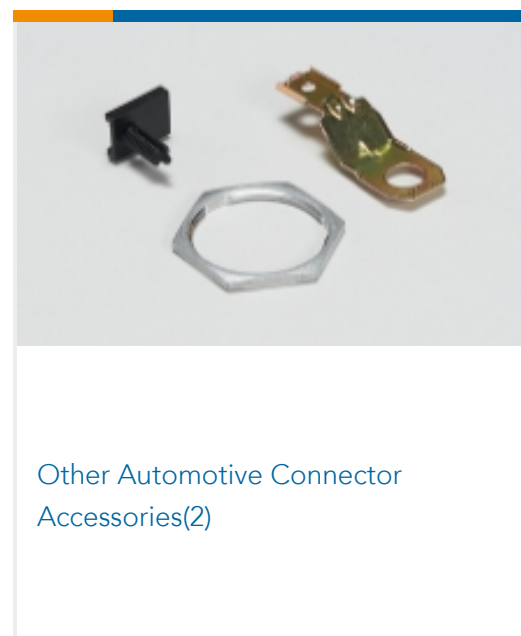
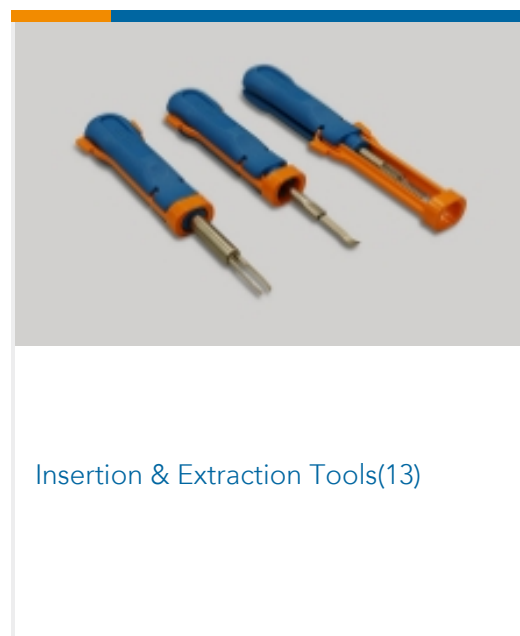
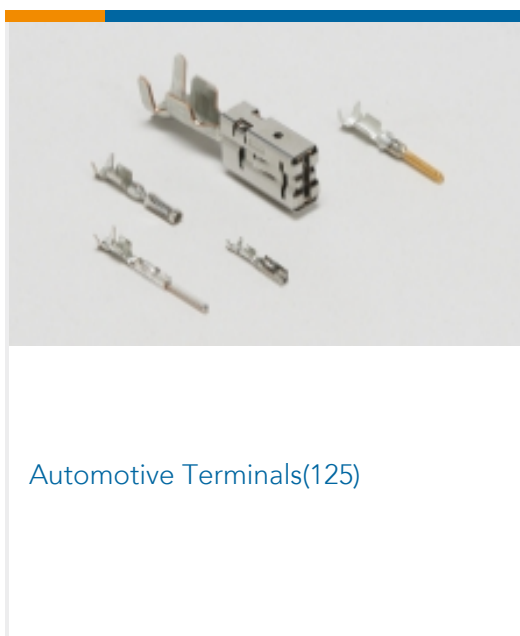
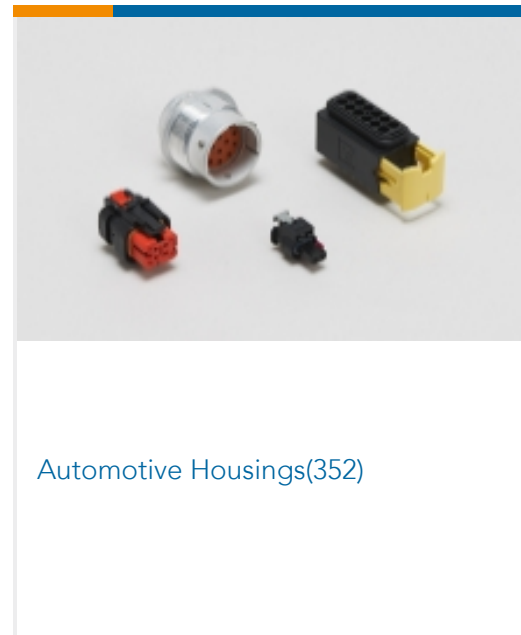
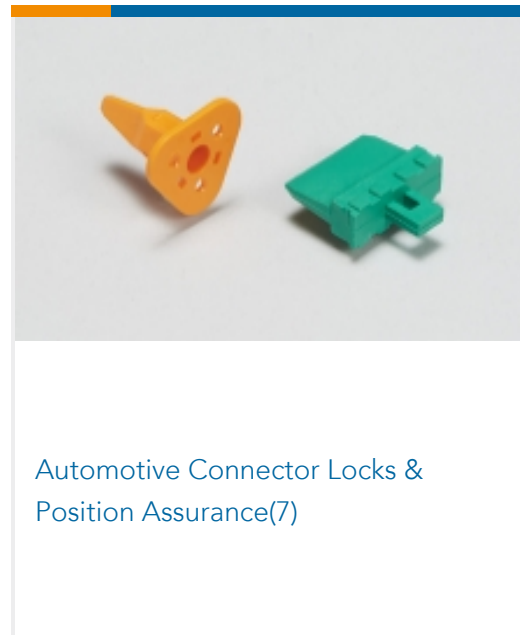
This information is provided based on reasonable inquiry of our suppliers and represents our current actual knowledge based on the information they provided. This information is subject to change. The part numbers that TE has identified as EU RoHS compliant have a maximum concentration of 0.1% by weight in homogenous materials for lead, hexavalent chromium, mercury, PBB, PBDE, DBP, BBP, DEHP, DIBP, and 0.01% for cadmium, or qualify for an exemption to these limits as defined in the Annexes of Directive 2011/65/EU (RoHS2). Finished electrical and electronic equipment products will be CE marked as required by Directive 2011/65/EU. Components may not be CE marked. Additionally, the part numbers that TE has identified as EU ELV compliant have a maximum concentration of 0.1% by weight in homogenous materials for lead, hexavalent chromium, and mercury, and 0.01% for cadmium, or qualify for an exemption to these limits as defined in the Annexes of Directive 2000/53/EC (ELV). Regarding the REACH Regulation, the information TE provides on SVHC in articles for this part number is based on the latest European Chemicals Agency (ECHA) 'Guidance on requirements for substances in articles' posted at this URL: <https://echa.europa.eu/guidance-documents/guidance-on-reach>

Compatible Parts

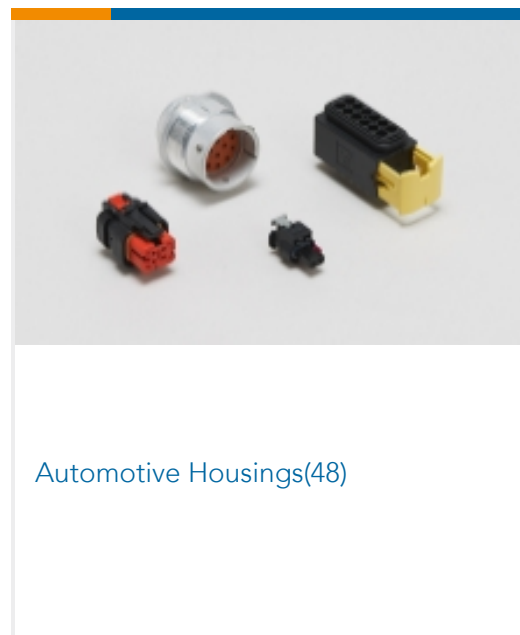




Also in the Series | AMP MCP Connector System



Also in the Series | AMP MCP Hybrids



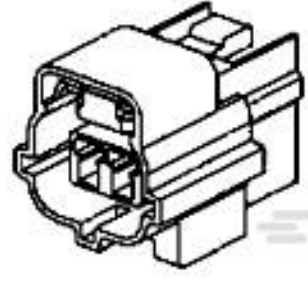
Customers Also Bought




TE Part #368162-1
JPT 4P ASSY FOR MAP SENSOR ORA




TE Part #2109006-3
060 REC(M) CONT



TE Part #368261-2
E-S MK-2(+) PLUG 2P ASSY



TE Part #2219215-1
HYB SLD 38P COVER ASSY



TE Part #936397-5
2.8MM SLD 6P PLUG RETAINER YEL

TE Part #1-2296315-1
ACU 52P PLUG ASSY(B1B10)

TE Part #1-2296315-7
ACU 52P PLUG ASSY(B2B8)

TE Part #2-85216-3
070/110 11P CAP(D.T.B) D-GRAY

TE Part #2350341-2
025/060/110/250 HYB 51P PLUG
LEVER BK

TE Part #2350788-6
74POS,HYBRID,TAB HSG ASSY,UNSLD

Documents

CAD Files

3D PDF

3D

Customer View Model

[ENG_CVM_CVM_3-2219210-3_E.2d_dxf.zip](#)

English

Customer View Model

[ENG_CVM_CVM_3-2219210-3_E.3d_igs.zip](#)

English

Customer View Model

[ENG_CVM_CVM_3-2219210-3_E.3d_stp.zip](#)

English

By downloading the CAD file I accept and agree to the [Terms and Conditions](#) of use.

Product Specifications

Product Specification

English

[HYB SEALED 38POS PLUG ASSEMBLY](#)

3-2219210-3

Housing for Female Terminals, Wire-to-Device / Wire-to-Board, 38 Position, 2.26 in / 2.19 in / .157 in [57.6 mm / 55.8 mm / 4 mm] Centerline, Hybrid

