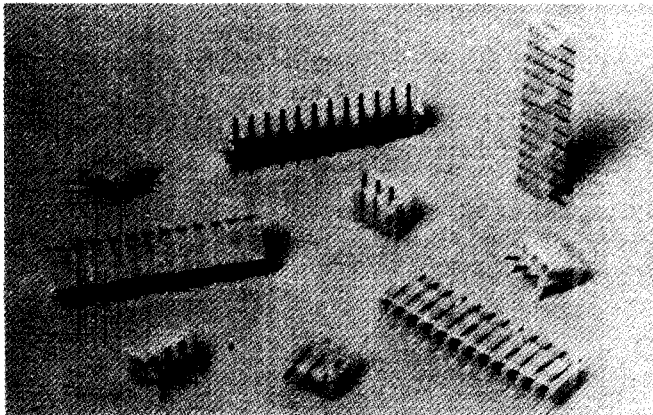


# .156" (3.96 mm) Dip Solder Connector



## 3000 Series Inverse Mount (Bottom Entry)

Low cost, easy to use and the ability to meet exact requirements are some of the reasons Methode connector systems are one of the most versatile and dependable systems used in today's electronics. Mates with 31XX-1, 31XX-3, 31XX-21, 31XX-23 headers or .045 pins staked into P.C. boards.

### Housing Material:

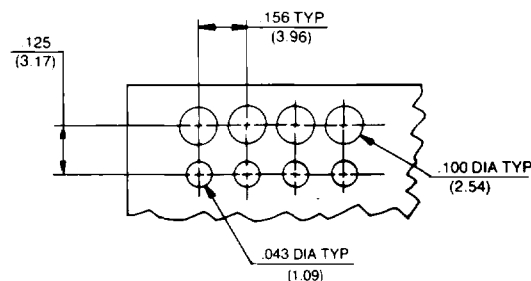
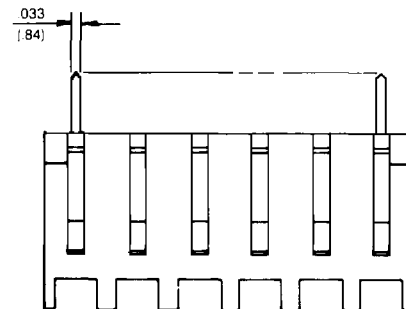
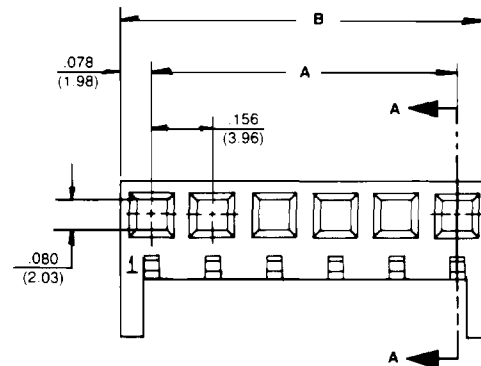
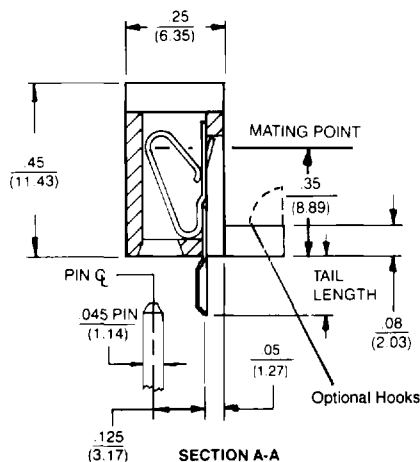
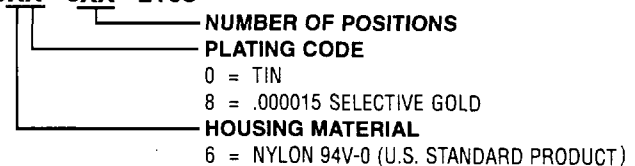
3060: Nylon 94V-0 (U.S. Standard Product)

**Contacts:** Copper Alloy

C

### PART NUMBER CODING

**30XX - 0XX - 2105**



**Contact Tail Length**

PIN NUMBER	TAIL LENGTH
05	.156 (3.96)

PART NUMBER	NO. OF POSITIONS	DIM A	DIM B
307X-002-2105	2	.156 (3.96)	.312 (7.92)
307X-003-2105	3	.312 (7.93)	.468 (11.89)
307X-004-2105	4	.468 (11.89)	.624 (15.85)
307X-005-2105	5	.624 (15.85)	.780 (19.81)
307X-006-2105	6	.780 (19.81)	.936 (23.78)
307X-007-2105	7	.936 (23.78)	1.092 (27.74)
307X-008-2105	8	1.092 (27.74)	1.248 (31.70)
307X-009-2105	9	1.248 (31.70)	1.404 (35.66)
307X-010-2105	10	1.404 (35.66)	1.560 (39.62)
307X-011-2105	11	1.560 (39.62)	1.716 (43.59)
307X-012-2105	12	1.716 (43.59)	1.872 (47.55)
307X-013-2105	13	1.872 (47.55)	2.028 (51.51)
307X-014-2105	14	2.028 (51.51)	2.184 (55.47)
307X-015-2105	15	2.184 (55.47)	2.340 (59.43)

**RECOMMENDED P.C. BOARD LAYOUT**