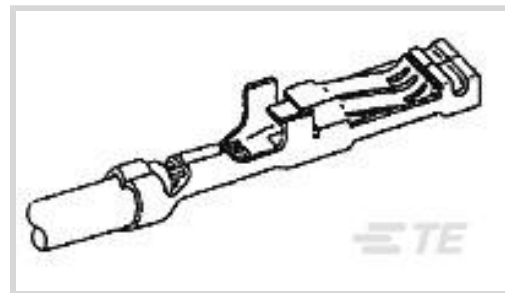




Connectors > PCB Connectors > Wire-to-Board Connectors > Wire-to-Board Connector Contacts



Contact Type: **Socket**

Connector System: **Wire-to-Board**

Centerline (Pitch): **12 mm [.472 in]**

Wire Size: **992.68 – 2802.41 CMA**

Features

Product Type Features

Connector System	Wire-to-Board
Sealable	No
Connector & Contact Terminates To	Wire & Cable

Electrical Characteristics

Operating Voltage	250 VAC
-------------------	---------

Contact Features

Mating Tab Width	3 mm [.118 in]
Mating Tab Thickness	.65 mm [.025 in]
Contact Underplating Material Thickness	.8 μ m [31.5 μ in]
	200 – 500 μ in
Wire Contact Termination Area Plating Material	Tin
Contact Mating Area Plating Material Thickness	.38 μ m [15 μ in]
Contact Length	24.5 mm [.965 in]
Contact Underplating Material	Nickel
Contact Base Material	Copper Alloy
Contact Type	Socket
Contact Mating Area Plating Material	Gold
Contact Current Rating (Max)	15 A

Termination Features

Termination Method to Wire & Cable	Crimp
------------------------------------	-------



Mechanical Attachment

Connector Mounting Type	Cable Mount (Free-Hanging)
-------------------------	----------------------------

Housing Features

Centerline (Pitch)	12 mm [.472 in]
--------------------	-----------------

Dimensions

Accepts Wire Insulation Diameter Range	1.85 – 2.8 mm [.073 – .11 in]
--	-------------------------------

Wire Size	.503 – 1.419 mm ²
-----------	------------------------------

Usage Conditions

Operating Temperature Range	-30 – 105 °C [-22 – 221 °F]
-----------------------------	-----------------------------

Operation/Application

Compatible With Wire Base Material	Copper
------------------------------------	--------

Circuit Application	Power
---------------------	-------

Packaging Features

Packaging Quantity	4500
--------------------	------

Packaging Method	Reel
------------------	------

Other

Comment	Housing PN: X-316456-X, X-353369-X, X-353463-X
---------	--

Product Compliance

[For compliance documentation, visit the product page on TE.com>](#)

EU RoHS Directive 2011/65/EU	Compliant
------------------------------	-----------

EU ELV Directive 2000/53/EC	Compliant
-----------------------------	-----------

China RoHS 2 Directive MIIT Order No 32, 2016	No Restricted Materials Above Threshold
---	---

EU REACH Regulation (EC) No. 1907/2006	Current ECHA Candidate List: JUNE 2022 (224) Candidate List Declared Against: JAN 2022 (223) SVHC > Threshold: Not Yet Reviewed
--	--

Halogen Content	Low Halogen - Br, Cl, F, I < 900 ppm per homogenous material. Also BFR/CFR/PVC Free
-----------------	---

Solder Process Capability	Not applicable for solder process capability
---------------------------	--

Product Compliance Disclaimer

This information is provided based on reasonable inquiry of our suppliers and represents our current actual knowledge based on the information they provided. This information is subject to change. The part numbers that TE has identified as EU RoHS compliant have a maximum concentration of 0.1% by weight in homogenous materials for lead, hexavalent chromium, mercury, PBB, PBDE, DBP, BBP, DEHP, DIBP, and 0.01% for cadmium, or qualify for an exemption to these limits as defined in the Annexes of Directive 2011/65/EU (RoHS2). Finished electrical and electronic equipment products will be CE marked as required by Directive 2011/65/EU. Components may not be CE marked. Additionally, the part numbers that TE has identified as EU ELV compliant have a maximum concentration of 0.1% by weight in homogenous materials for lead, hexavalent chromium, and mercury, and 0.01% for cadmium, or qualify for an exemption to these limits as defined in the Annexes of Directive 2000/53/EC (ELV). Regarding the REACH Regulation, the information TE provides on SVHC in articles for this part number is based on the latest European Chemicals Agency (ECHA) 'Guidance on requirements for substances in articles' posted at this URL: <https://echa.europa.eu/guidance-documents/guidance-on-reach>

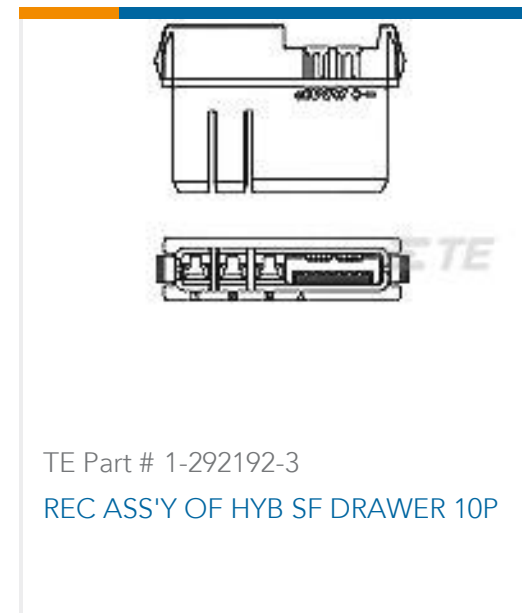
Compatible Parts



TE Part # 1-292186-2
REC ASS'Y OF HYB DRAWER 18P



TE Part # 2-292240-2
1.5 MINI CT HYBRID DRAWER 16P
LONG CONT



TE Part # 1-292192-3
REC ASS'Y OF HYB SF DRAWER 10P



TE Part # 2-2151244-1
OCEAN_2.0_Applicator-S-085F120F



TE Part # 2-2151244-2
OCEAN_2.0_Applicator-S-085F120F



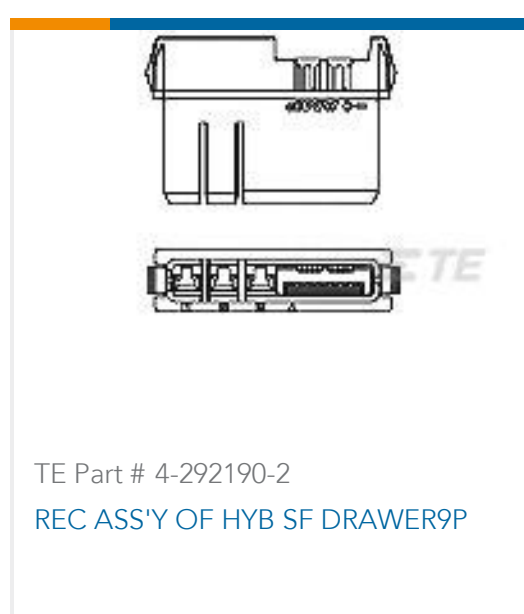
TE Part # 2-292190-2
REC ASS'Y OF HYB SF DRAWER8P



TE Part # 2151244-1
OCEAN_2.0_Applicator-S-085F120F



TE Part # 2151244-2
OCEAN_2.0_Applicator-S-085F120F



TE Part # 4-292190-2
REC ASS'Y OF HYB SF DRAWER9P



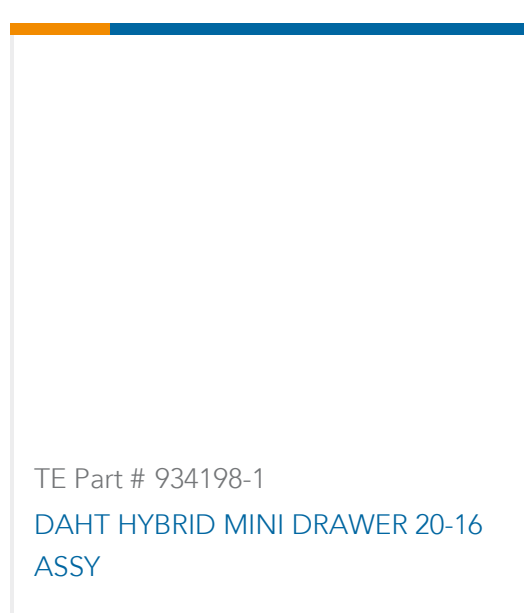
TE Part # 7-2151244-1
OCEAN_2.0_Applicator-S-085F120F



TE Part # 7-2151244-2
OCEAN_2.0_Applicator-S-085F120F

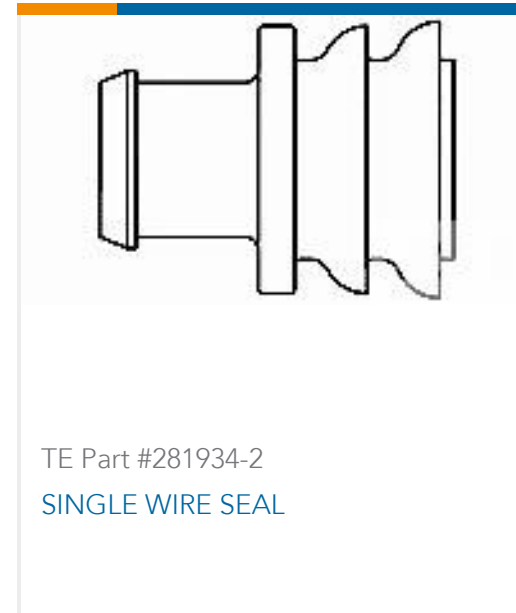
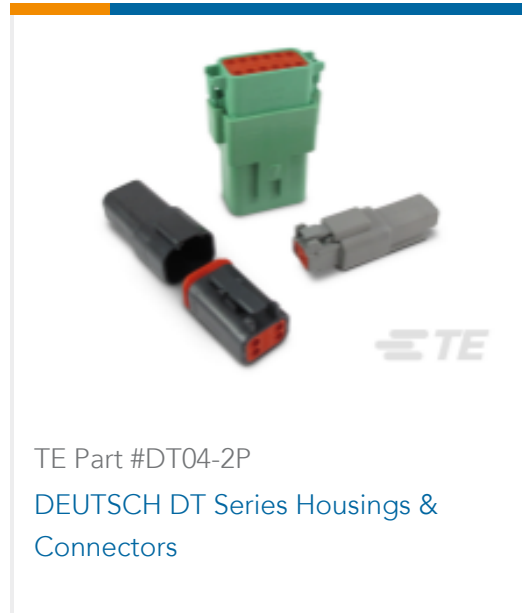


TE Part # 7-2151244-7
OCEAN_2.0_SPARE_PART_KIT-
085F120F



TE Part # 934198-1
DAHT HYBRID MINI DRAWER 20-16
ASSY

Customers Also Bought



Documents

Product Drawings

HYBRID MINI DRAWER REC GND CON

Japanese

CAD Files

3D PDF

3D

Customer View Model

[ENG_CVM_CVM_316458-4_G.2d_dxf.zip](#)

English

Customer View Model

[ENG_CVM_CVM_316458-4_G.3d_igs.zip](#)

English

Customer View Model

[ENG_CVM_CVM_316458-4_G.3d_stp.zip](#)

English

By downloading the CAD file I accept and agree to the [Terms and Conditions](#) of use.

Datasheets & Catalog Pages

Low Power Drawer Connectors QRG

English

Product Specifications

Application Specification

English

Crimping Hybrid Mini Drawer Connector Power Line Contact

316458-4

Connector Contact, Socket, Wire-to-Board, .472 in [12 mm] Centerline, 20 – 16 AWG
Wire Size, 992.68 – 2802.41 CMA Wire Size



English