

344264-1  ACTIVE

## Econoseal

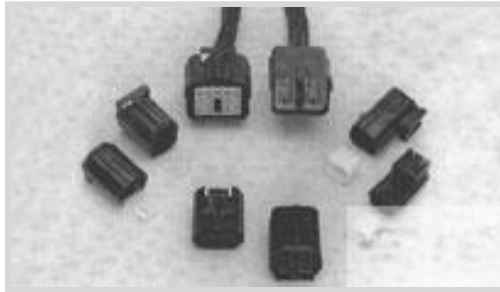
TE Internal #: 344264-1

Housing for Female Terminals, Wire-to-Wire, 13 Position, .188 in [4.8 mm] Centerline, Yellow, Signal, Cable Mount (Free-Hanging), Econoseal

[View on TE.com >](#)



Connectors > Automotive Connectors > Connector Housings > ECONOSEAL, CONNECTOR HOUSING



Connector & Housing Type: **Housing for Female Terminals**

Mating Tab Width: **2.2 mm [ .086 in ]**

Connector System: **Wire-to-Wire**

Number of Positions: **13**

Centerline (Pitch): **4.8 mm [ .188 in ]**

[All ECONOSEAL, CONNECTOR HOUSING \(90\)](#)

## Features

### Product Type Features

Connector & Housing Shape	Rectangular
Connector & Housing Type	Housing for Female Terminals
Connector System	Wire-to-Wire
Sealable	No
Hybrid Connector	No
Primary Locking Feature	Integrated in Housing

### Configuration Features

Number of Positions	13
Number of Rows	3

### Body Features

Cable Exit Angle	180°
Body Material	PA
Primary Product Color	Yellow

### Contact Features

Contact Size	1.8mm
Contact Type	Receptacle
Mating Tab Width	2.2 mm[.086 in]



### Mechanical Attachment

Mounting Feature	Without
Terminal Position Assurance	No
Strain Relief	Without
Mating Alignment Type	Polarized
Mating Alignment	With
Connector Mounting Type	Cable Mount (Free-Hanging)

### Housing Features

Centerline (Pitch)	4.8 mm[.188 in]
--------------------	-----------------

### Dimensions

Product Width	9.5 mm[.374 in]
Product Length	24.1 mm[.948 in]
Product Height	17.9 mm[.704 in]
Row-to-Row Spacing	5.6 mm[.22 in]

### Operation/Application

Circuit Application	Signal
---------------------	--------

### Packaging Features

Packaging Quantity	1000
Packaging Method	Bag

### Other

Serviceable	No
Connector Position Assurance Capable	No

### Product Compliance

[For compliance documentation, visit the product page on TE.com>](#)

EU RoHS Directive 2011/65/EU	Compliant
EU ELV Directive 2000/53/EC	Compliant
China RoHS 2 Directive MIIT Order No 32, 2016	No Restricted Materials Above Threshold
EU REACH Regulation (EC) No. 1907/2006	Current ECHA Candidate List: JUNE 2022 (224) Candidate List Declared Against: JAN 2022 (223) SVHC > Threshold:



Not Yet Reviewed

Halogen Content

Low Halogen - Br, Cl, F, I < 900 ppm per homogenous material. Also BFR/CFR/PVC Free

Solder Process Capability

Not applicable for solder process capability

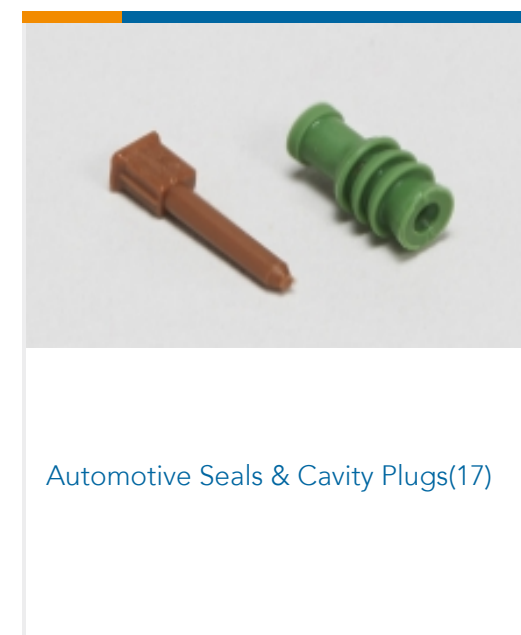
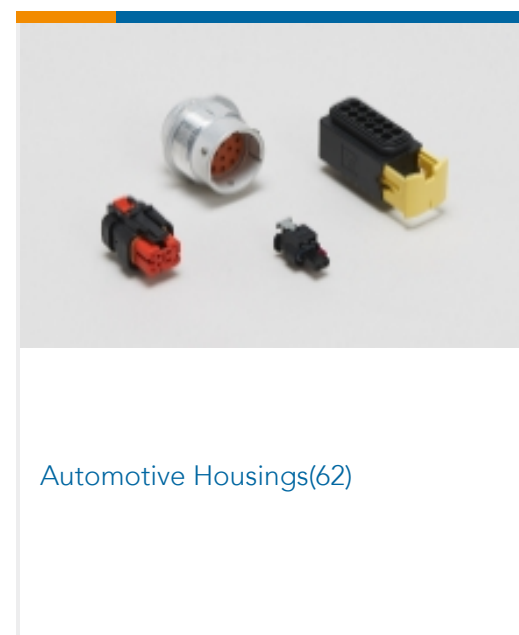
Product Compliance Disclaimer

This information is provided based on reasonable inquiry of our suppliers and represents our current actual knowledge based on the information they provided. This information is subject to change. The part numbers that TE has identified as EU RoHS compliant have a maximum concentration of 0.1% by weight in homogenous materials for lead, hexavalent chromium, mercury, PBB, PBDE, DBP, BBP, DEHP, DIBP, and 0.01% for cadmium, or qualify for an exemption to these limits as defined in the Annexes of Directive 2011/65/EU (RoHS2). Finished electrical and electronic equipment products will be CE marked as required by Directive 2011/65/EU. Components may not be CE marked. Additionally, the part numbers that TE has identified as EU ELV compliant have a maximum concentration of 0.1% by weight in homogenous materials for lead, hexavalent chromium, and mercury, and 0.01% for cadmium, or qualify for an exemption to these limits as defined in the Annexes of Directive 2000/53/EC (ELV). Regarding the REACH Regulation, the information TE provides on SVHC in articles for this part number is based on the latest European Chemicals Agency (ECHA) 'Guidance on requirements for substances in articles' posted at this URL: <https://echa.europa.eu/guidance-documents/guidance-on-reach>

## Compatible Parts



## Also in the Series | Econoseal





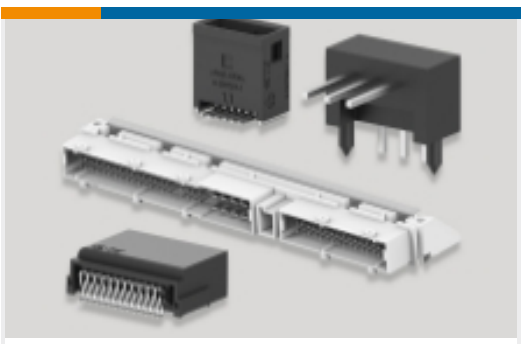
Automotive Terminals(47)



Insertion & Extraction Tools(7)



Other Automotive Connector Accessories(5)



PCB Headers & Receptacles(4)



Primary Wire(1)

### Customers Also Bought



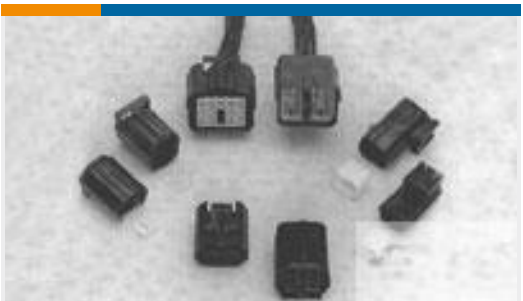
TE Part #344265-1  
6 WAY TAB HSG.- BLACK ECONO



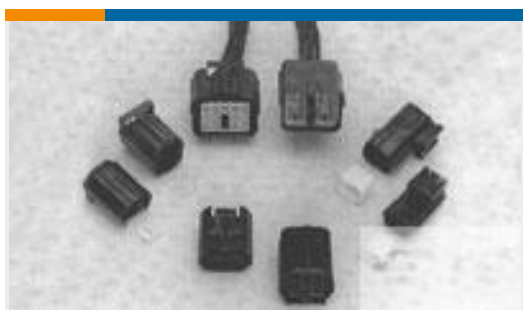
TE Part #2-1379604-1  
24W TH HEADER ASSY BLACK



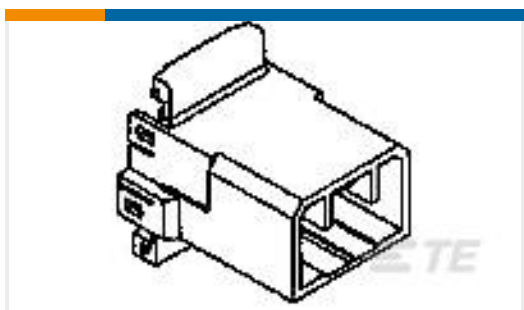
TE Part #345258-1  
ANTI-BACKOUT 4WAY REC HSGECONO



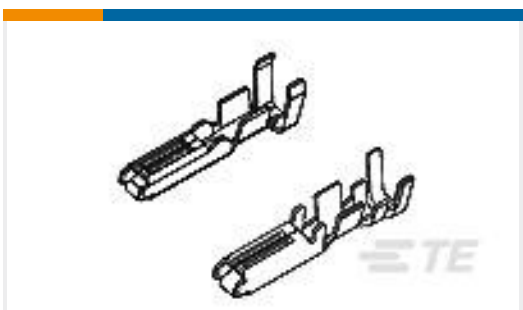
TE Part #345253-1  
ANTI-BACKOUT 2WAY TAB HSGECONO



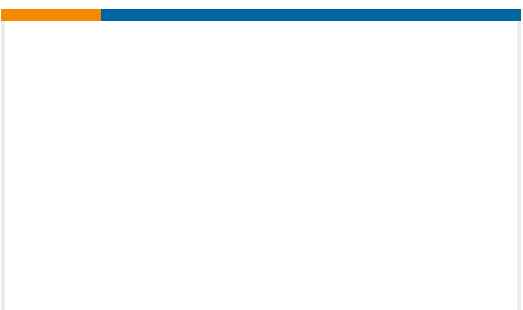
TE Part #344267-1  
6 WAY REC. HSG. SIL. SEALECONO



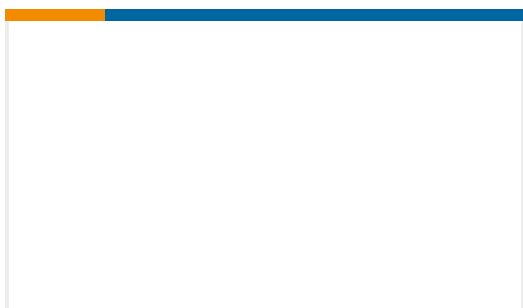
TE Part #174932-1  
070 MLC W-W CAP HSG 10P



TE Part #345208-1  
070 SERIES RECEPT.



TE Part #152455  
ALTERNATOR CONN SERVICING PACK



TE Part #153211-2  
3 M/M LANCED SOCKET



TE Part #345255-1  
ANTI-BACKOUT 3WAY TAB HSGECONO

### Documents



## Product Drawings

### 13 WAY RECPT ANTI-BACKOUT

English

---

## CAD Files

Customer View Model

[ENG\\_CVM\\_344264-1\\_B.3d\\_igs.zip](#)

English

Customer View Model

[ENG\\_CVM\\_344264-1\\_B.3d\\_stp.zip](#)

English

Customer View Model

[ENG\\_CVM\\_344264-1\\_B.2d\\_dxf.zip](#)

English

## 3D PDF

English

By downloading the CAD file I accept and agree to the [Terms and Conditions](#) of use.

---

## Datasheets & Catalog Pages

### Econoseal Connector Series

English