

316292-1 ✓ ACTIVE

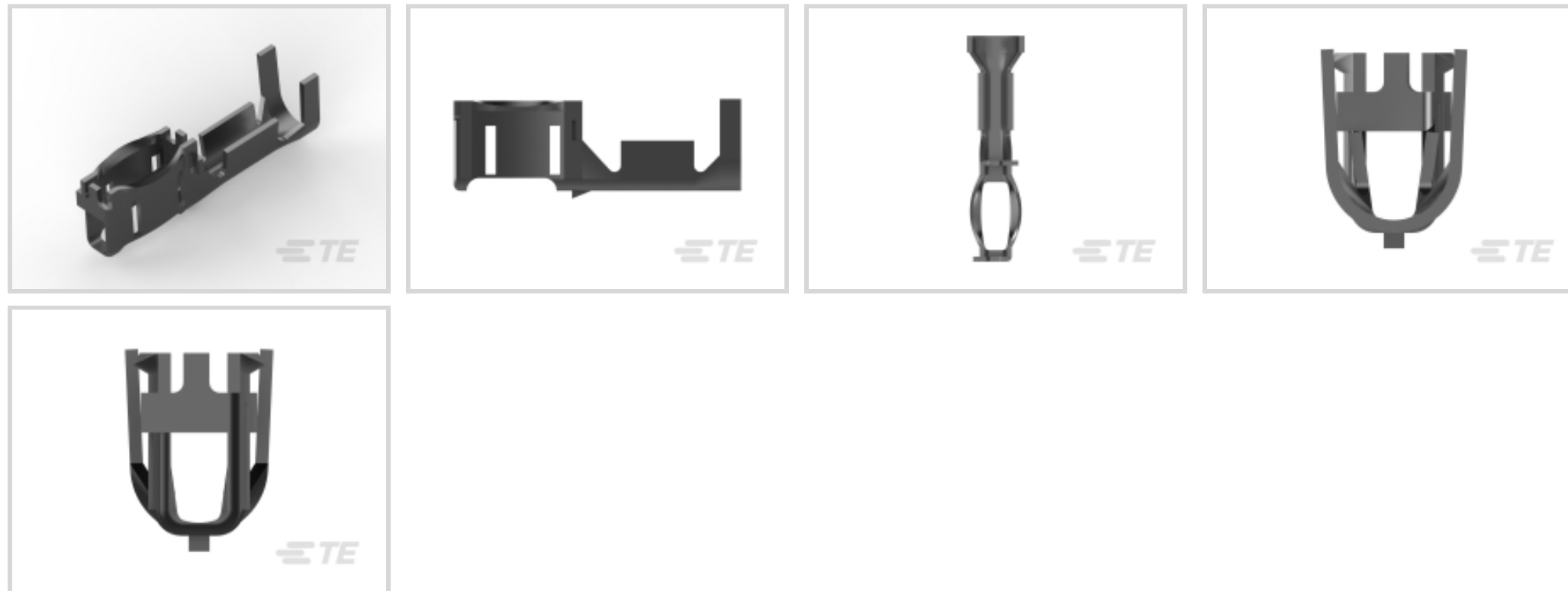
TE Internal #: 316292-1

Magnet Wire Terminals, Receptacle, .82 – 2.6 mm Magnet Wire, 18 – 13 AWG Magnet Wire, Crimp, Crimp Area Length 9.35 mm [.368 in], Tin Plating

[View on TE.com >](#)



Terminals & Splices > Magnet Wire Terminals



Magnet Wire Terminal Type: **Receptacle**

Mating Pin Diameter: **3.2 mm [.125 in]**

Accepts Wire Insulation Diameter (Max): **4 mm [.157 in]**

Accepts Wire Insulation Diameter Range: **1.6 – 4 mm [.062 – .157 in]**

Magnet Wire Size: **.82 – 2.6 mm**

Features

Product Type Features

Wire Insulation Support Retention Type	Insulation Support
Compatible With Discrete Wire Type	Magnet Wire, Solid

Contact Features

Magnet Wire Terminal Type	Receptacle
Mating Pin Diameter	3.2 mm [.125 in]
Terminal Plating Material	Tin
Terminal Orientation	Straight

Termination Features

Termination Method to Wire & Cable	Crimp
Crimp Area Length	9.35 mm [.368 in]

Mechanical Attachment

Wire Insulation Support	With
-------------------------	------

Housing Features

Housing Retention Force	Standard
-------------------------	----------



Dimensions

Terminal Height	7 mm[.276 in]
Accepts Wire Insulation Diameter (Max)	4 mm[.157 in]
Accepts Wire Insulation Diameter Range	1.6 – 4 mm[.062 – .157 in]
Magnet Wire Size	18 – 13 AWG
Overall Product Length	22.39 mm[.881 in]

Usage Conditions

Insulation Option	Uninsulated
Operating Temperature Range	-20 – 150 °C[-4 – 302 °F]

Operation/Application

Compatible With Wire Base Material	Copper
------------------------------------	--------

Packaging Features

Packaging Quantity	3000
Packaging Method	Reel

Product Compliance

[For compliance documentation, visit the product page on TE.com>](#)

EU RoHS Directive 2011/65/EU	Compliant
EU ELV Directive 2000/53/EC	Compliant
China RoHS 2 Directive MIIT Order No 32, 2016	No Restricted Materials Above Threshold
EU REACH Regulation (EC) No. 1907/2006	Current ECHA Candidate List: JUNE 2022 (224) Candidate List Declared Against: JAN 2022 (223) SVHC > Threshold: Not Yet Reviewed
Halogen Content	Low Halogen - Br, Cl, F, I < 900 ppm per homogenous material. Also BFR/CFR/PVC Free
Solder Process Capability	Not applicable for solder process capability

Product Compliance Disclaimer

This information is provided based on reasonable inquiry of our suppliers and represents our current actual knowledge based on the information they provided. This information is subject to change. The part numbers that TE has identified as EU RoHS compliant have a maximum concentration of 0.1% by weight in homogenous materials for lead, hexavalent chromium, mercury, PBB, PBDE, DBP, BBP, DEHP, DIBP, and 0.01% for cadmium, or qualify for an exemption to these limits as defined in the Annexes of Directive 2011/65/EU (RoHS2). Finished electrical and electronic equipment products will be CE marked as required by Directive 2011/65/EU. Components may not be CE marked. Additionally, the part numbers that TE has identified as EU ELV compliant have a maximum concentration of 0.1% by weight in homogenous

materials for lead, hexavalent chromium, and mercury, and 0.01% for cadmium, or qualify for an exemption to these limits as defined in the Annexes of Directive 2000/53/EC (ELV). Regarding the REACH Regulation, the information TE provides on SVHC in articles for this part number is based on the latest European Chemicals Agency (ECHA) 'Guidance on requirements for substances in articles' posted at this URL: <https://echa.europa.eu/guidance-documents/guidance-on-reach>

Compatible Parts



TE Part # 316293-1
3.2 CLUSTER BLOCK HSG NATURAL



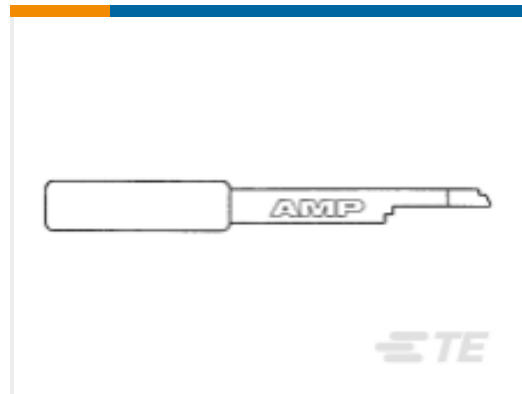
TE Part # 316293-2
DURABLE TYPE PBT FROM HYDROLYS



TE Part # 2-2150408-2
OCEAN_2.0_APPPLICATOR-E-110F197F



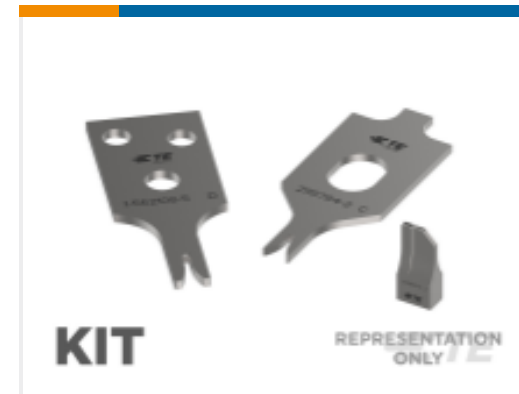
TE Part # 2150408-2
OCEAN_2.0_APPPLICATOR-E-110F197F



TE Part # 409643-1
EXT-TOOL FOR 3,2 CLUSTER REC

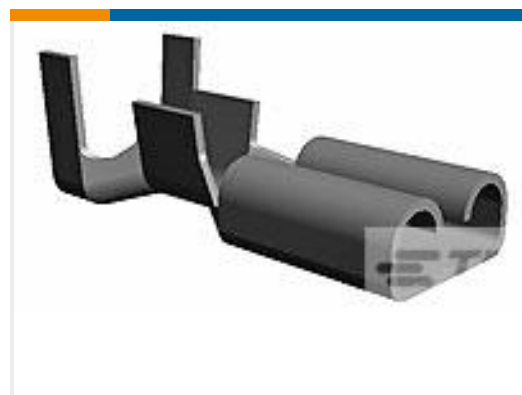


TE Part # 7-2150408-2
OCEAN_2.0_APPPLICATOR-E-110F197F



TE Part # 7-2150408-7
OCEAN_2.0_SPARE_PART_KIT-110F197F

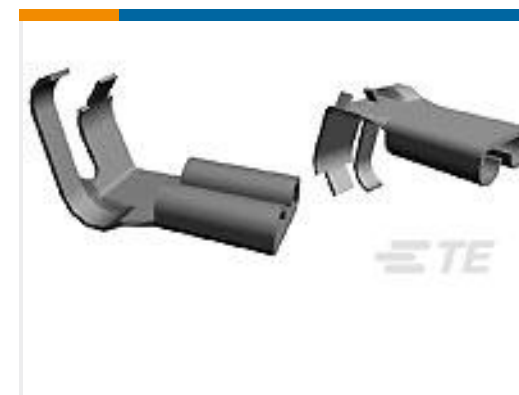
Customers Also Bought



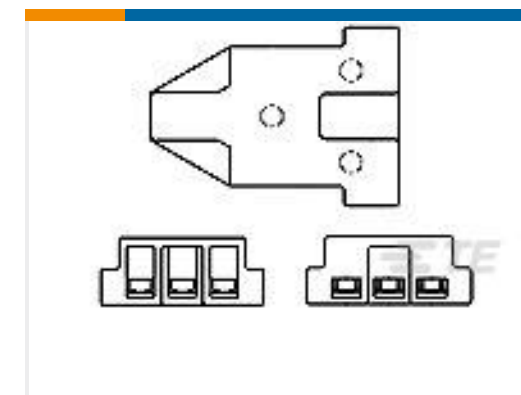
TE Part #170466-1
187 FASTON,REC.,18-14 AWG,TPBR



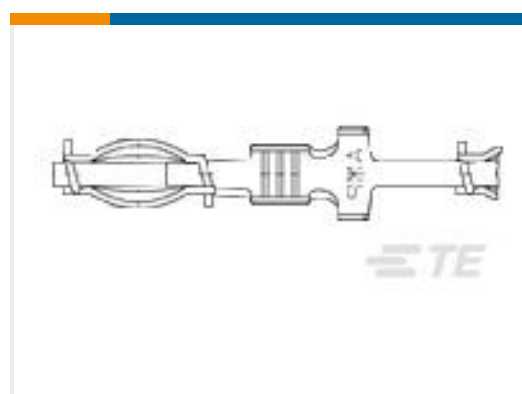
TE Part #41800
250 FASTON FLAG REC 18-12 AWG TPBZ



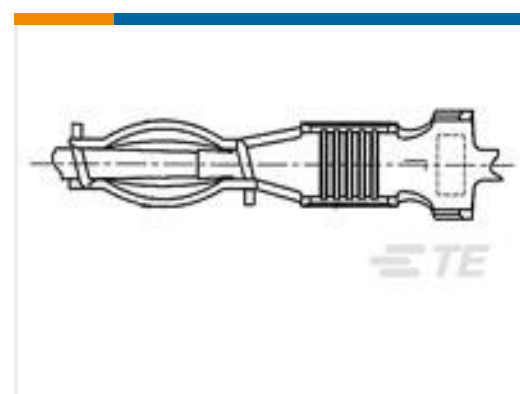
TE Part #170140-2
187 FASTON,FLAG,REC.,16-20 AWG, TPBR



TE Part #171370-3
CLUSTER BLOCK HSG PBT



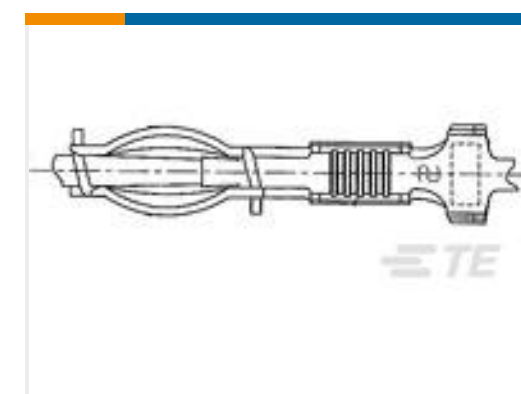
TE Part #170063-2
CLUSTER PIN REC



TE Part #353937-1
2.3 CLUSTER REC AMPLIVAR TYPE



TE Part #5-1376382-1
STD Temp Power Key Header



TE Part #1123655-1
2.3 DIA CLUSTER AMPLIVAR S TIN



Documents

Product Drawings

3.2 CLUSTER REC L-TYPE

English

CAD Files

3D PDF

3D

Customer View Model

[ENG_CVM_CVM_316292-1_E.2d_dxf.zip](#)

English

Customer View Model

[ENG_CVM_CVM_316292-1_E.3d_igs.zip](#)

English

Customer View Model

[ENG_CVM_CVM_316292-1_E.3d_stp.zip](#)

English

By downloading the CAD file I accept and agree to the [Terms and Conditions](#) of use.

Datasheets & Catalog Pages

Magnet Wire Terminals & Splices

English

Product Specifications

3.2DIA Cluster Receptacle

English

Application Specification

English

Product Environmental Compliance

[MD_316292-1_10142014919_dmtec](#)

English

[MD_316292-1_10142014919_dmtec](#)

English