

316867-1 ✓ ACTIVE

AMP | TH/.025 Connector System

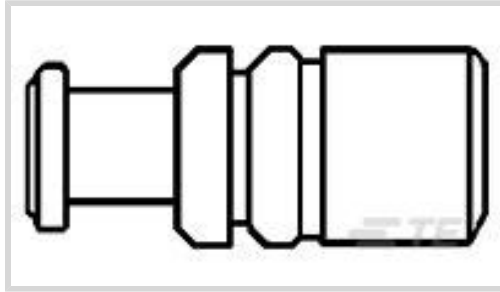
TE Internal #: 316867-1

Automotive Seals & Cavity Plugs, Rubber Seal, Silicone, Gray, -30 – 105 °C [-22 – 221 °F], TH/.025 Connector System

[View on TE.com >](#)



Connectors > Automotive Connectors > Seals & Cavity Plugs



Connector Seal Type: **Rubber Seal**

Accepts Cable Insulation Diameter Range: 1.4 – 1.7 mm [.055 – .067 in]

Seal Material: **Silicone**

Operating Temperature (Max): 65 °C, 70 °C, 75 °C, 80 °C, 85 °C, 90 °C, 100 °C, 105 °C [149 °F, 158 °F, 167 °F, 176 °F, 185 °F, 194 °F, 212 °F, 221 °F]

Contains Lubricant: **No**

Features

Product Type Features

Connector Seal Type	Rubber Seal
---------------------	-------------

Body Features

Seal Material	Silicone
Primary Product Color	Gray

Dimensions

Accepts Cable Insulation Diameter Range	1.4 – 1.7 mm [.055 – .067 in]
---	-------------------------------

Usage Conditions

Operating Temperature (Max)	65 °C, 70 °C, 75 °C, 80 °C, 85 °C, 90 °C, 100 °C, 105 °C [149 °F][158 °F][167 °F][176 °F][185 °F][194 °F][212 °F][221 °F]
Operating Temperature Range	-30 – 105 °C [-22 – 221 °F]

Packaging Features

Packaging Quantity	1000
Packaging Method	Bag

Other

Contains Lubricant	No
--------------------	----

Product Compliance

[For compliance documentation, visit the product page on TE.com>](#)

EU RoHS Directive 2011/65/EU	Compliant
EU ELV Directive 2000/53/EC	Compliant
China RoHS 2 Directive MIIT Order No 32, 2016	No Restricted Materials Above Threshold
EU REACH Regulation (EC) No. 1907/2006	Current ECHA Candidate List: JUNE 2022 (224) Candidate List Declared Against: JAN 2022 (223) SVHC > Threshold: Not Yet Reviewed
Halogen Content	Low Halogen - Br, Cl, F, I < 900 ppm per homogenous material. Also BFR/CFR/PVC Free
Solder Process Capability	Not applicable for solder process capability

Product Compliance Disclaimer

This information is provided based on reasonable inquiry of our suppliers and represents our current actual knowledge based on the information they provided. This information is subject to change. The part numbers that TE has identified as EU RoHS compliant have a maximum concentration of 0.1% by weight in homogenous materials for lead, hexavalent chromium, mercury, PBB, PBDE, DBP, BBP, DEHP, DIBP, and 0.01% for cadmium, or qualify for an exemption to these limits as defined in the Annexes of Directive 2011/65/EU (RoHS2). Finished electrical and electronic equipment products will be CE marked as required by Directive 2011/65/EU. Components may not be CE marked. Additionally, the part numbers that TE has identified as EU ELV compliant have a maximum concentration of 0.1% by weight in homogenous materials for lead, hexavalent chromium, and mercury, and 0.01% for cadmium, or qualify for an exemption to these limits as defined in the Annexes of Directive 2000/53/EC (ELV). Regarding the REACH Regulation, the information TE provides on SVHC in articles for this part number is based on the latest European Chemicals Agency (ECHA) 'Guidance on requirements for substances in articles' posted at this URL: <https://echa.europa.eu/guidance-documents/guidance-on-reach>

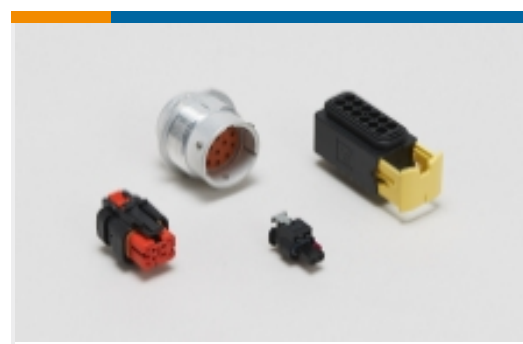
Compatible Parts



Also in the Series | [TH/.025 Connector System](#)



Automotive Connector Caps & Covers (6)



Automotive Housings(203)



Automotive Seals & Cavity Plugs(2)



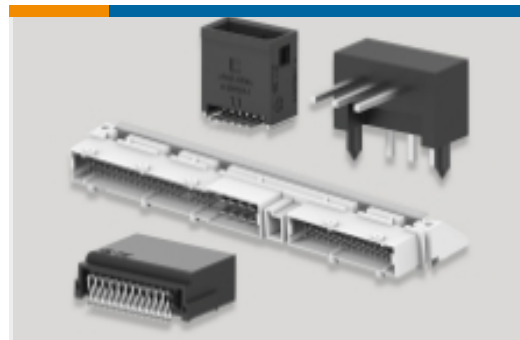
Automotive Terminals(25)



Insertion & Extraction Tools(4)

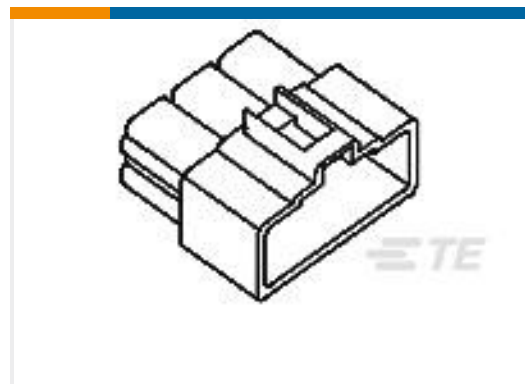


Other Automotive Connector Accessories(5)



PCB Headers & Receptacles(144)

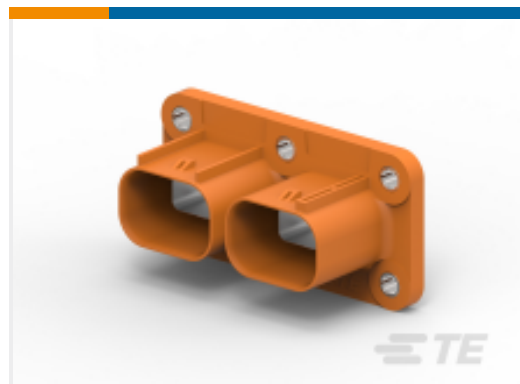
Customers Also Bought



TE Part #172135-1
FF 250 REC HSG 8P NYLON NAT



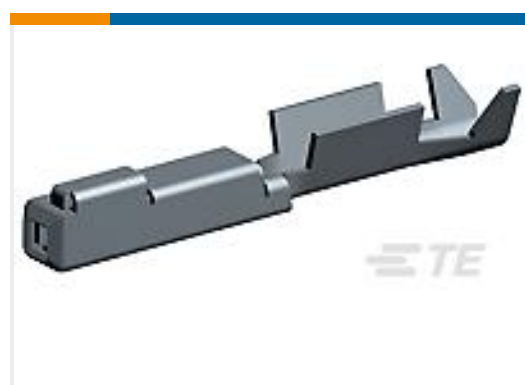
TE Part #1544551-1
CONNECTOR 5V 6.35



TE Part #2103346-2
HVA280 2 Bay Header Sub-Assy, KEY D, F



TE Part #3-1534904-4
CONNECTOR HSG 94 POS.



TE Part #1318329-1
.025 SEALED REC CONT



TE Part #1-927772-1
TIMER, RECEPTACLE AND TAB



TE Part #3-1813099-3
CIRCULAR DIN HOUSINGS

Documents

Product Drawings

[.060 RUBBER PLUG S LIGHT GRAY](#)

English

CAD Files

Customer View Model

[ENG_CVM_316867-1_O.3d_igs.zip](#)

English

Customer View Model



[ENG_CVM_316867-1_O.3d_stp.zip](#)

English

Customer View Model

[ENG_CVM_316867-1_O.2d_dxf.zip](#)

English

3D PDF

English

By downloading the CAD file I accept and agree to the [Terms and Conditions](#) of use.

Product Specifications

Crimping of Sealed type .060 Receptacle Contact

Japanese

Application Specification

Japanese

Product Environmental Compliance

Product Compliance

English

Product Compliance

English

Instruction Sheets

060/187 Plug Assy 26Pos. Slide-Type

Japanese

Instruction Sheet (U.S.)

Japanese