

344261-1 ✓ ACTIVE



## Econoseal

TE Internal #: 344261-1

Housing for Male Terminals, Wire-to-Wire, 13 Position, .188 in [4.8 mm] Centerline, Yellow, Signal, Cable Mount (Free-Hanging), Econoseal

Econoseal

[View on TE.com >](#)

Connectors > Automotive Connectors > Connector Housings > ECONOSEAL, CONNECTOR HOUSING



Connector & Housing Type: **Housing for Male Terminals**

Mating Tab Width: **2.2 mm [ .086 in ]**

Connector System: **Wire-to-Wire**

Number of Positions: **13**

Centerline (Pitch): **4.8 mm [ .188 in ]**

[All ECONOSEAL, CONNECTOR HOUSING \(90\)](#)

## Features

### Product Type Features

|                           |                            |
|---------------------------|----------------------------|
| Connector & Housing Shape | Rectangular                |
| Connector & Housing Type  | Housing for Male Terminals |
| Connector System          | Wire-to-Wire               |
| Sealable                  | No                         |
| Hybrid Connector          | No                         |

### Configuration Features

|                     |    |
|---------------------|----|
| Number of Positions | 13 |
| Number of Rows      | 3  |

### Body Features

|                       |        |
|-----------------------|--------|
| Cable Exit Angle      | 180°   |
| Body Material         | PA     |
| Primary Product Color | Yellow |



### Contact Features

|                  |                 |
|------------------|-----------------|
| Contact Size     | 1.8mm           |
| Contact Type     | Tab             |
| Mating Tab Width | 2.2 mm[.086 in] |

### Mechanical Attachment

|                             |                            |
|-----------------------------|----------------------------|
| Mounting Feature            | Without                    |
| Terminal Position Assurance | No                         |
| Strain Relief               | Without                    |
| Mating Alignment Type       | Polarized                  |
| Mating Alignment            | With                       |
| Connector Mounting Type     | Cable Mount (Free-Hanging) |

### Housing Features

|                    |                 |
|--------------------|-----------------|
| Centerline (Pitch) | 4.8 mm[.188 in] |
|--------------------|-----------------|

### Dimensions

|                    |                   |
|--------------------|-------------------|
| Product Width      | 12.4 mm[.488 in]  |
| Product Length     | 27.35 mm[1.07 in] |
| Product Height     | 21.2 mm[.834 in]  |
| Row-to-Row Spacing | 5.6 mm[.22 in]    |

### Operation/Application

|                     |        |
|---------------------|--------|
| Circuit Application | Signal |
|---------------------|--------|

### Packaging Features

|                    |     |
|--------------------|-----|
| Packaging Quantity | 500 |
| Packaging Method   | Box |

### Other

|                                      |    |
|--------------------------------------|----|
| Serviceable                          | No |
| Connector Position Assurance Capable | No |

### Product Compliance

[For compliance documentation, visit the product page on TE.com>](#)

|   |   |
|---|---|
| EU RoHS Directive 2011/65/EU                  | Compliant                               |
| EU ELV Directive 2000/53/EC                   | Compliant                               |
| China RoHS 2 Directive MIIT Order No 32, 2016 | No Restricted Materials Above Threshold |

EU REACH Regulation (EC) No. 1907/2006

Current ECHA Candidate List: JUNE 2022 (224)

Candidate List Declared Against: JUL 2021 (219)

SVHC > Threshold:  
Not Yet Reviewed

Halogen Content

Not Low Halogen - contains Br or Cl > 900 ppm.

Solder Process Capability

Not applicable for solder process capability

Product Compliance Disclaimer

This information is provided based on reasonable inquiry of our suppliers and represents our current actual knowledge based on the information they provided. This information is subject to change. The part numbers that TE has identified as EU RoHS compliant have a maximum concentration of 0.1% by weight in homogenous materials for lead, hexavalent chromium, mercury, PBB, PBDE, DBP, BBP, DEHP, DIBP, and 0.01% for cadmium, or qualify for an exemption to these limits as defined in the Annexes of Directive 2011/65/EU (RoHS2). Finished electrical and electronic equipment products will be CE marked as required by Directive 2011/65/EU. Components may not be CE marked. Additionally, the part numbers that TE has identified as EU ELV compliant have a maximum concentration of 0.1% by weight in homogenous materials for lead, hexavalent chromium, and mercury, and 0.01% for cadmium, or qualify for an exemption to these limits as defined in the Annexes of Directive 2000/53/EC (ELV). Regarding the REACH Regulation, the information TE provides on SVHC in articles for this part number is based on the latest European Chemicals Agency (ECHA) 'Guidance on requirements for substances in articles' posted at this URL: <https://echa.europa.eu/guidance-documents/guidance-on-reach>

## Compatible Parts



TE Part # CAT-EC7491-CH8172  
ECONOSEAL, CONNECTOR HOUSING



TE Part # 344260-2  
13 WAY TAB HOUSING WHITE


## Also in the Series | Econoseal



Automotive Connector Caps & Covers (1)



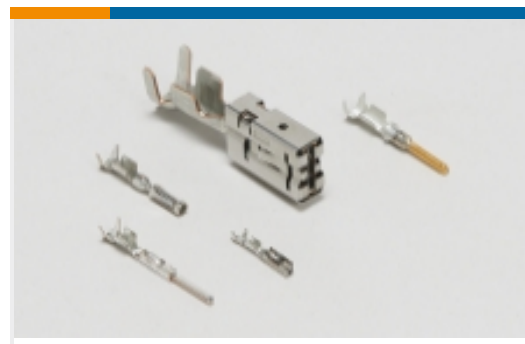
Automotive Connector Locks & Position Assurance(25)



Automotive Housings(62)



Automotive Seals & Cavity Plugs(17)



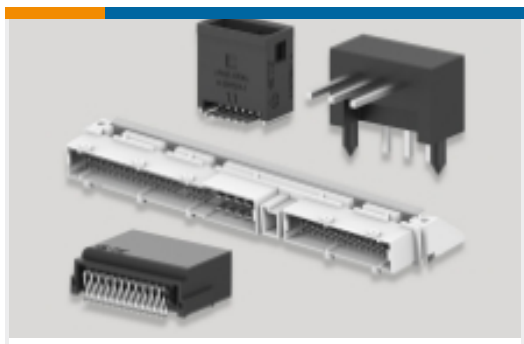
Automotive Terminals(47)



Insertion & Extraction Tools(7)



Other Automotive Connector Accessories(5)

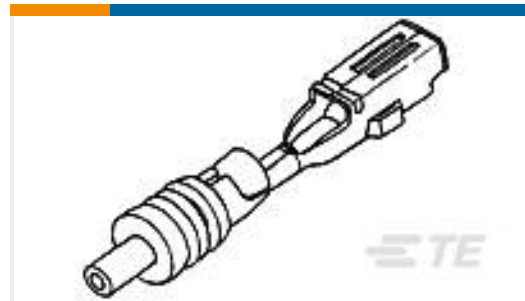


PCB Headers & Receptacles(4)



Primary Wire(1)

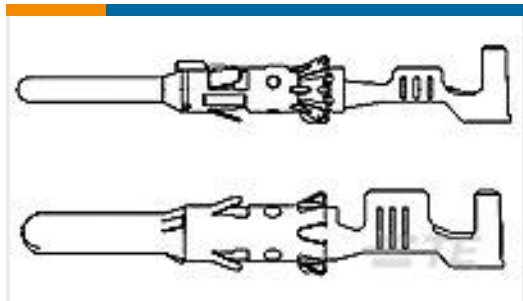
## Customers Also Bought



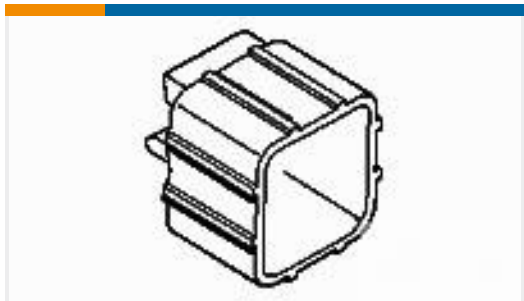
TE Part #345806-1  
ECONO CONTACT REC



TE Part #348461-1  
ECON 3 LC PLUG SILIC



TE Part #929962-1  
STIFTKONTAKT 2,5MMD



TE Part #174664-7  
12 POS DL PLATE FOR CAP MKII+



TE Part #280311  
IS 375 FASTON NYLON



TE Part #347874-1  
CABLE SEAL LC SILICON 0.5 T



TE Part #345253-1  
ANTI-BACKOUT 2WAY TAB  
HSGECONO



TE Part #344276-1  
2 WAY REC HSG. SIL SEAL ECONO

## Documents

### Product Drawings

[13 WAY TAB ANTI-BACKOUT](#)

English

### CAD Files

Customer View Model

[ENG\\_CVM\\_344261-1\\_C.3d\\_igs.zip](#)

English

Customer View Model

344261-1

Housing for Male Terminals, Wire-to-Wire, 13 Position, .188 in [4.8 mm] Centerline, Yellow, Signal, Cable Mount (Free-Hanging), Econoseal



[ENG\\_CVM\\_344261-1\\_C.3d\\_stp.zip](#)

English

**Customer View Model**

[ENG\\_CVM\\_344261-1\\_C.2d\\_dxf.zip](#)

English

**3D PDF**

English

By downloading the CAD file I accept and agree to the [Terms and Conditions](#) of use.

**Datasheets & Catalog Pages**

**Econoseal Connector Series**

English