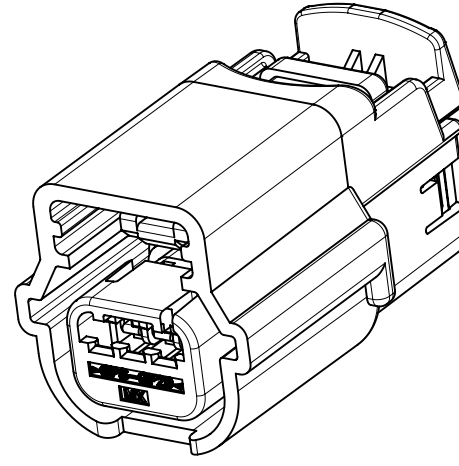
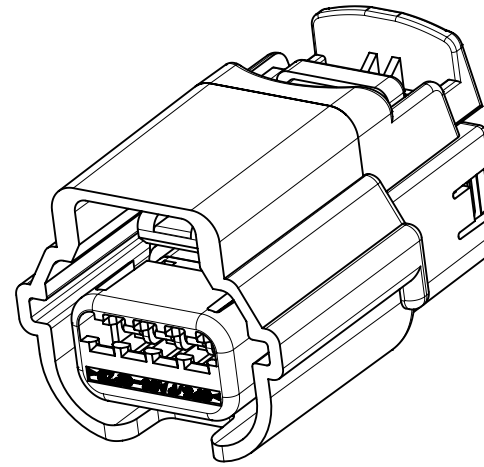


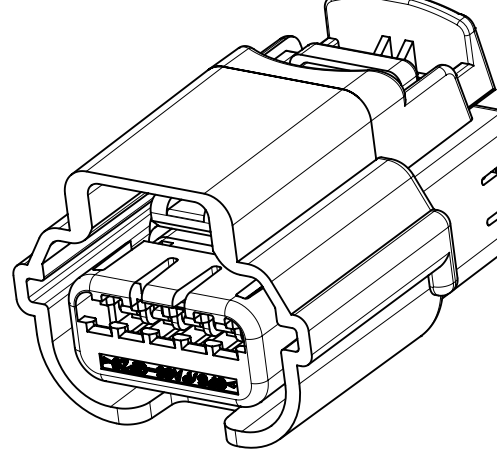
1X2



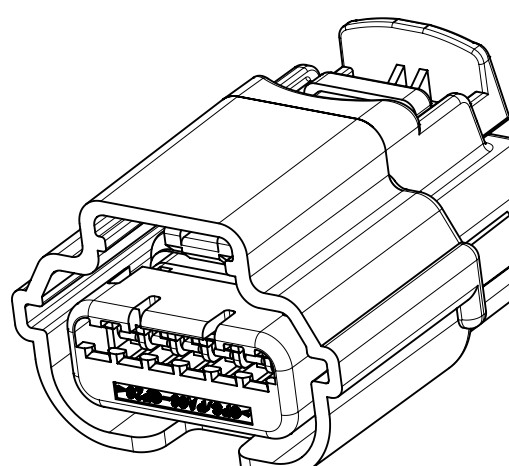
1X3



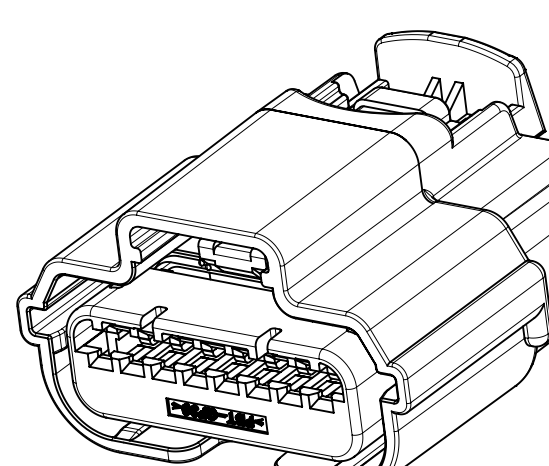
1X4



1X5



1X6



1X8

TABLE OF CONTENTS	
SHEET NO.	SHEET DESCRIPTION
1	NOTES AND BOM
2	CONNECTOR ASSEMBLY WITHOUT CLIPSLOT
3	CONNECTOR ASSEMBLY WITH CLIPSLOT
4-5	KEY CONFIGURATIONS
6-9	BOM

DRAWING INFORMATION	
DESCRIPTION	DRAWING NO.
PRODUCT SPECIFICATION	PS-31402-000
	FOR 31404 1X8 REFER TO PS-31404-001-1X8
PACKAGING	PK-31300-256
SALES DRAWING	SD-31402-211
	FOR 31404 1X8 REFER TO SD-31404-811
TEST SUMMARY	FOR 1X2 REFER TO TS-31402-001-1X2
	FOR 1X3 REFER TO TS-31402-001-1X3
	FOR 1X6 REFER TO TS-31402-001-1X6
	FOR 31404 1X8 REFER TO TS-31404-001-1X8

MATING INTERFACE DRAWING	
DESCRIPTION	INTERFACE DEFINITION
1X2	*064-S-002-1-Z02
1X3	*064-S-003-1-Z01
1X4	*064-S-004-1-Z02
1X5	*064-S-005-1-Z02
1X6	*064-S-006-1-Z02
1X8	*064-S-008-1-Z02

NOTES: VALID UNLESS OTHERWISE SPECIFIED

1. GENERAL:
 - a. APPLICATION SPECIFICATION SEE: AS-31402-000
 - CONTAINS: SEE AS CONTENT
 - DESIGNED TO MATE WITH DEVICE OR CONNECTOR AS SPECIFIED IN THE MATING INTERFACE DRAWINGS CHART.
 - *DENOTES DRAWINGS THAT CAN BE ACCESSED AT <http://ewcap.uscarteams.org/>.
 - ASSEMBLY SHIPPED WITH PLR IN PRE-LOCK POSITION (SEE PLR PRE-LOCK VIEW ON SHEET 2 SECTION A-A).
 - b. PRODUCT RELATED DRAWING REFER TO DRAWING INFORMATION CHART
 - c. TPA'S MAY BECOME SEATED DURING TRANSIT. IF THIS OCCURS, TPA'S SHOULD BE MOVED TO THE PRE-LOCKED POSITION PRIOR TO FEMALE TERMINAL INSTALLATION. REFERENCE PRODUCT SPECIFICATION: PS-34646-001
 - d. PARTS MUST BE IN COMPLIANCE TO MOLEX CHEMICAL SUBSTANCES FOR PRODUCTS AND PACKAGING SPECIFICATION: QEHS-699000-301
 - e. DATA MUST BE SUBMITTED UNDER THE MOLEX PART NUMBER TO IMDS (COMPANY ID#13255)
 - f. SYSTEM EXCEPT SERIES 31404 1X8 CIRCUIT TO BE USED WITH OUTSIDE WIRE DIAMETERS RANGING FROM 1.20MM TO 2.06MM WITHIN RANGE OF:
 - SAE 22 AWG TO 18 AWG PER ESB-M1L123-A2
 - ISO 0.35MM² TO 0.75MM² PER GMW15626 AND ES-AU5T-1A348-AA
 - g. POLARIZATION FEATURE EFFECTIVENESS PER USCAR-2 PARAGRAPH 5.4.4 IS REDUCED WHEN TESTING ALL POLARIZATION OPTIONS: 100N MIN.
 - h. SEE SHEET #3 FOR CONNECTOR ASSEMBLY WITH CLIPSLOP
 - i. FOR CLIPSSLOT CONNECTOR: CLIP OVERHANGS CONNECTOR, PLEASE CHECK APPLICATION (COULD CAUSE WIRE CHAFING)-SHORTER CLIP IS A RECOMMENDATION.

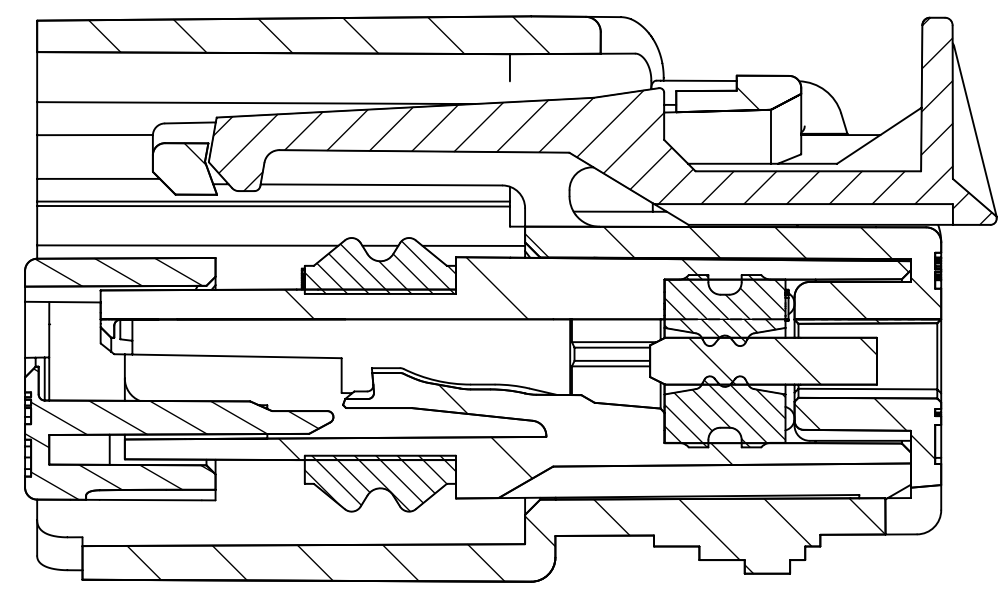
2. DESIGN - GEOMETRY:
 - a. THE 3-D CAD DATA IS BASIC (WITHOUT TOLERANCE) AND MASTER FOR THIS PART WITH THE EXCEPTION OF UNDERLINED DIMENSIONS. DIMENSIONAL INFORMATION NOT SHOWN ON THIS DRAWING IS DEFINED BY THE DATA FILE AT ITS LATEST REVISION.
 - b. GEOMETRIC DIMENSIONS AND TOLERANCES PER ASME Y14.5M-2009
 - c. EDGES AND UNDIMENSIONED DETAILS PER ISO13715
 - d. CORNERS SHOWN AS SHARP TO BE R 0.2 MAX.
 - e. LETTERING SHALL BE 0.15 MAX RAISED IN 0.25 MAX RECESS PAD. THIS INCLUDES RECYCLING CODE, CAVITY ID, VENDOR IDENTIFICATION, AND CUSTOMER MATERIAL NUMBER.
 - f. VISUAL DEFECTS SHALL MEET COSMETIC STANDARD PS-45499-002 (Class B).
 - g. DATE CODE: FIRST TWO DIGITS ARE THE CALENDAR YEAR (EXAMPLE: 04 = 2004). THIRD THROUGH 5TH DIGIT DAY # OF THE CALENDAR YEAR (EXAMPLE: FEB. 3RD = '034').

PART NUMBER LEGEND
CONNECTOR ASSEMBLY

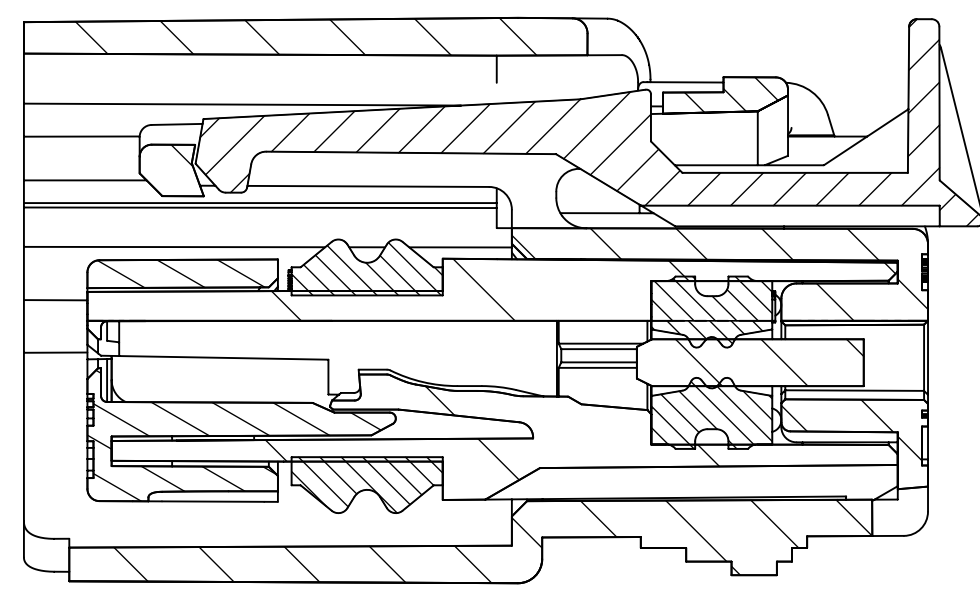
- 3140X-XXXX
- SEAL PLUG CONFIGURATION (AS MOLDED)
 - 0 - ALL CIRCUITS OPEN
 - 1-9 SEE CHART
 - CPA OPTION
 - 0 OR 2 - WITHOUT CPA
 - 1 OR 3 - WITH CPA
 - 4 - WITHOUT CPA, WITH CLIPSLOT
 - 5 - WITH CPA, WITH CLIPSLOT
 - USCAR POLARIZATION OPTION
 - 1 - POLARIZATION OPTION A
 - 2 - POLARIZATION OPTION B
 - 3 - POLARIZATION OPTION C
 - 4 - POLARIZATION OPTION D
 - 5 - POLARIZATION OPTION B, BLACK
 - 6 - POLARIZATION OPTION C, BLACK
 - 7 - POLARIZATION OPTION D, BLACK
 - 8 - POLARIZATION OPTION C, NATURAL
 - 9 - POLARIZATION OPTION D, GRAY
 - 0 - POLARIZATION OPTION D, DARK GRAY
 - CIRCUIT SIZE 2, 3, 4, 5, 6 & 8
 - 6 - CIRCUIT SIZE 6, WITH 31412-6500 OR 31412-6501 RING SEAL (FOR 31402 AND 31403 SERIES) WITH 31412-6500 RING SEAL (FOR 31404 SERIES)
 - 7 - CIRCUIT SIZE 6, WITH 31412-6501 RING SEAL (FOR 31404 SERIES)
 - TERMINAL OPTION
 - 2 - TYCO/MOLEX GET 0.64
 - 3 - MOLEX 0.64
 - 4 - YAZAKI KAIZEN 0.64/TE GEN Y 0.64/JST AIT 0.64

U5	ADD P/N: 31402-6122/6132/6123/6133, 31403-6105/6115/6502/6512
U4	DELETE P/N 31402-2120/2130
U3	DELETE OBSOLETE P/NS (31404-6XXX) DELETE P/N WITH GREEN AND BROWN COLOR
U2	ADD P/N: 31404-7126, 31404-7136
U1	ADD P/N: 31402-3115, 31402-3105
U	OBSOLETE P/N 31404-6XXX
T8	ADD P/N: 31404-7804, 31404-7814
T7	CHANGE STATUS FROM "TOOLED" TO "SALEABLE" ADD P/N 31404-7135/7125, 31404-7216/7206, 31404-7913/7903
T6	ADD P/N: 31404-7124, 31404-7134, 31404-7205, 31404-7215, 31404-7803, 31404-7813
T5	ADD P/N: 31404-7123; 31404-7133; 31404-7902; 31404-7912
T4	ADD P/N: 31402-2120, 31402-2130, 31402-3104, 31402-3114, 31402-6201, 31402-6211, 31402-6301, 31402-6311, 31402-6401, 31402-6411, 31402-6501, 31402-6511, 31402-6601, 31402-6611, 31402-6701, 31402-6711, 31403-6201, 31403-6211, 31403-6301, 31403-6311, 31403-6401, 31403-6411, 31403-6501, 31403-6511, 31403-6601, 31403-6611, 31403-6701, 31403-6711, 31404-6201, 31404-6211
T2	UPDATE BOM INFORMATION ON SHEET 9
T1	DELETE 31402/31403-7*** P/N
T	ADD P/N 3140*-7XXXX FOR 1X6 WITH 31412-6501 RING SEAL VERSION ON SHEET 9
S	ADD P/N: 31402-6131; 31402-6121
R	ADD P/N: 31404-3112; 31404-3102
P	ADD P/N: 31403-3132; 31403-3122
M	ADD P/N: 31402-6118; 31402-6108
REV	REV DESCRIPTION

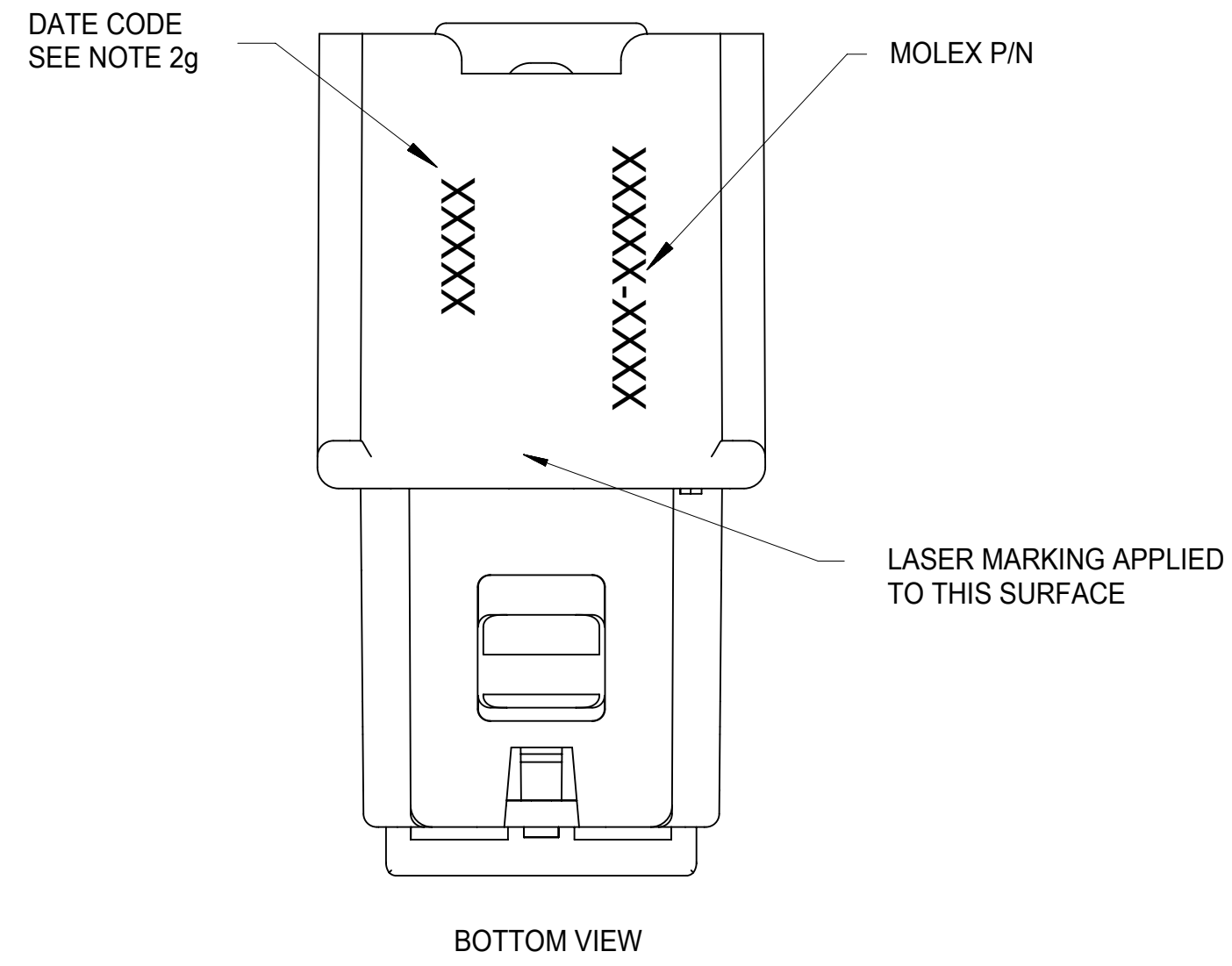
FUNCTIONAL SYMBOLS	THIS DRAWING CONTAINS INFORMATION THAT IS PROPRIETARY TO MOLEX ELECTRONIC TECHNOLOGIES, LLC AND SHOULD NOT BE USED WITHOUT WRITTEN PERMISSION	CURRENT REV DESC:		molex																												
	<table border="1"> <tr> <td>FA = 0</td> <td>mm</td> <td>SCALE</td> <td>1:1</td> </tr> <tr> <td>FC = 0</td> <td colspan="3">GENERAL TOLERANCES (UNLESS SPECIFIED)</td> </tr> <tr> <td>FD = 0</td> <td colspan="3">ANGULAR TOL ± 3.0°</td> </tr> <tr> <td rowspan="4">DIVISIONAL SYMBOLS</td> <td>4 PLACES</td> <td>±</td> <td></td> </tr> <tr> <td>3 PLACES</td> <td>±</td> <td></td> </tr> <tr> <td>2 PLACES</td> <td>±</td> <td>0.13</td> </tr> <tr> <td>1 PLACE</td> <td>±</td> <td>0.3</td> </tr> <tr> <td>0 PLACES</td> <td>±</td> <td></td> <td></td> </tr> </table>	FA = 0	mm		SCALE	1:1	FC = 0	GENERAL TOLERANCES (UNLESS SPECIFIED)			FD = 0	ANGULAR TOL ± 3.0°			DIVISIONAL SYMBOLS	4 PLACES	±		3 PLACES	±		2 PLACES	±	0.13	1 PLACE	±	0.3	0 PLACES	±			EC NO: 630695 DRWN: PZHANG71 2020/01/17 CHK'D: CDZHANG 2020/06/09 APPR: JDENG02 2020/06/23 INITIAL REVISION: DRWN: RCARLSON 2004/03/01 APPR: PBERG 2004/09/30
FA = 0	mm	SCALE	1:1																													
FC = 0	GENERAL TOLERANCES (UNLESS SPECIFIED)																															
FD = 0	ANGULAR TOL ± 3.0°																															
DIVISIONAL SYMBOLS	4 PLACES	±																														
	3 PLACES	±																														
	2 PLACES	±	0.13																													
	1 PLACE	±	0.3																													
0 PLACES	±																															
DRAFT WHERE APPLICABLE MUST REMAIN WITHIN DIMENSIONS		THIRD ANGLE PROJECTION	DRAWING	SERIES	MATERIAL NUMBER	CUSTOMER	SHEET NUMBER																									
			D-SIZE	31402	SD-31402-211	GENERAL MARKET	1 OF 8																									



SECTION A-A
TPA SHOWN IN AS-SHIPPED
PRE-LOCKED POSITION
SEE NOTE 1c

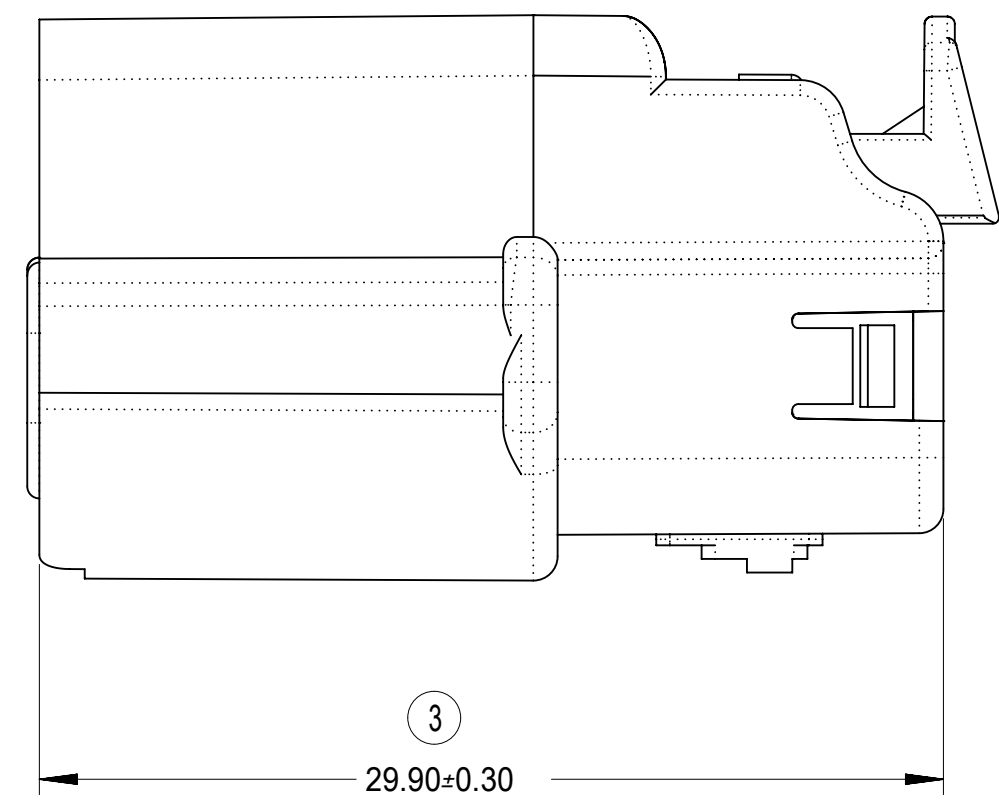
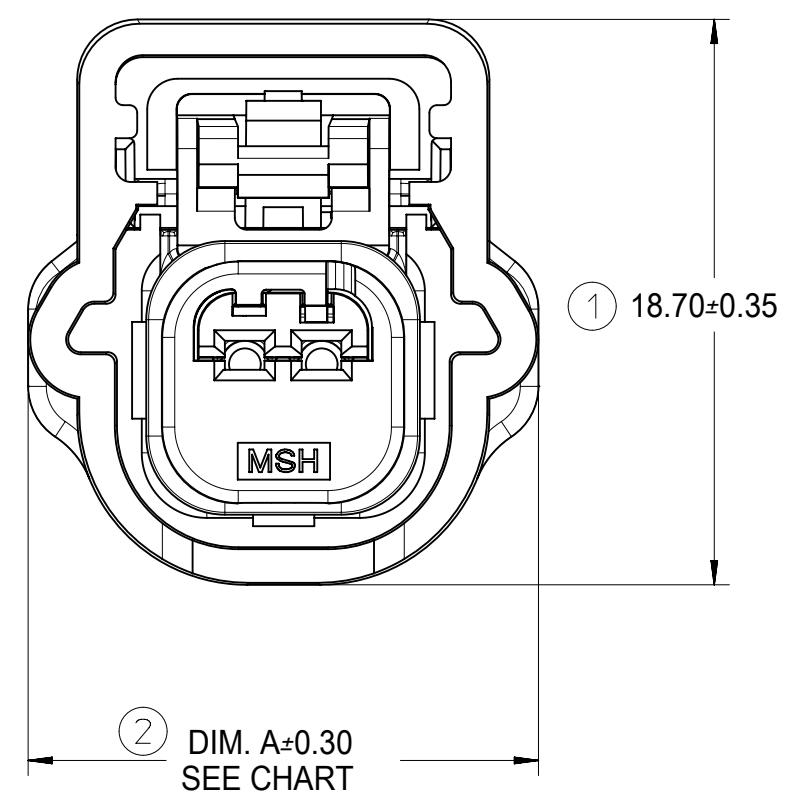
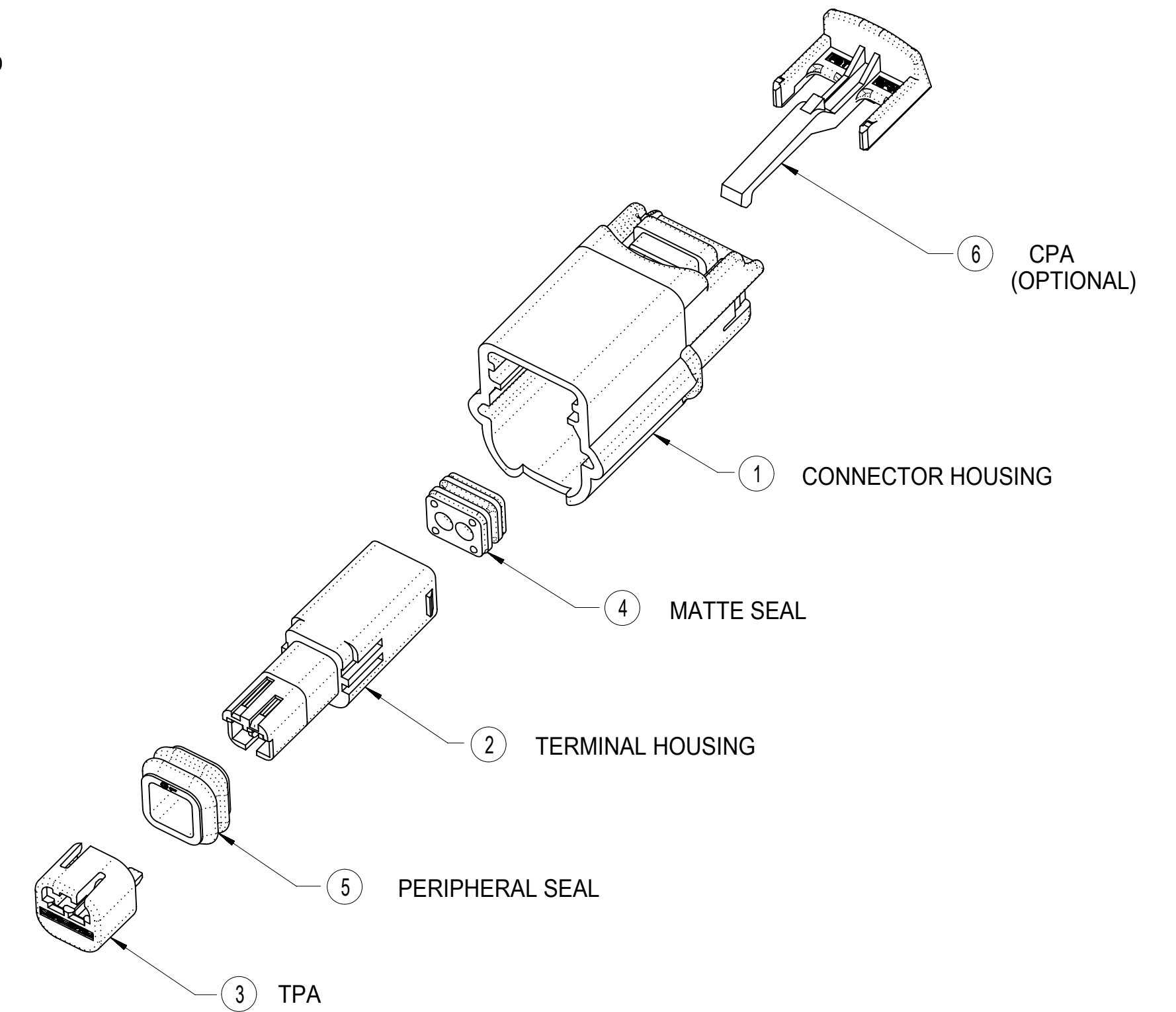


SECTION A-A
TPA SHOWN IN FINAL
LOCKED POSITION

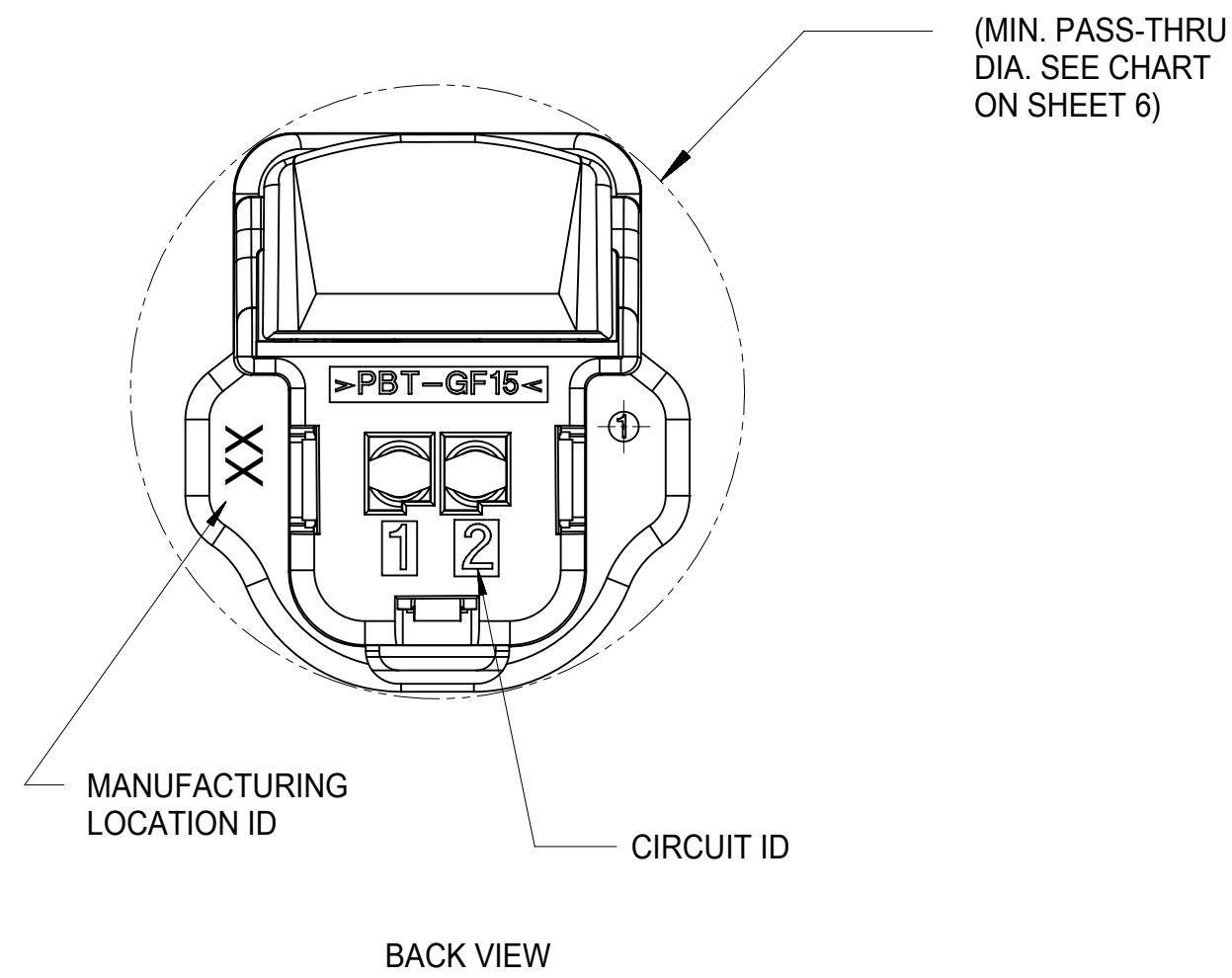


BOTTOM VIEW

CONNECTOR ASSEMBLY WITHOUT CLIPSLOT



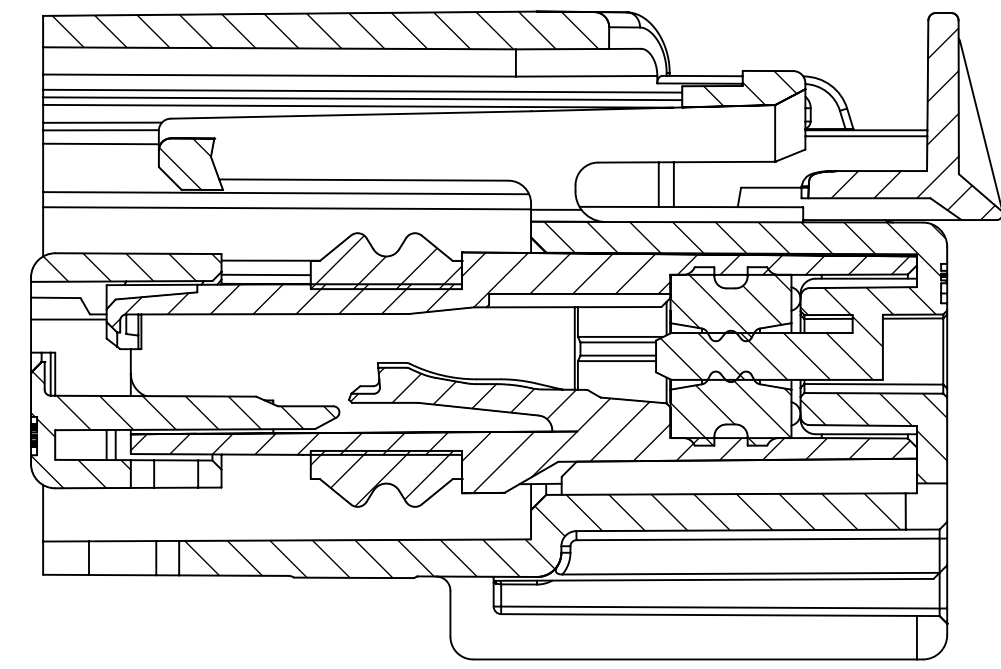
RIGHT SIDE VIEW



BACK VIEW

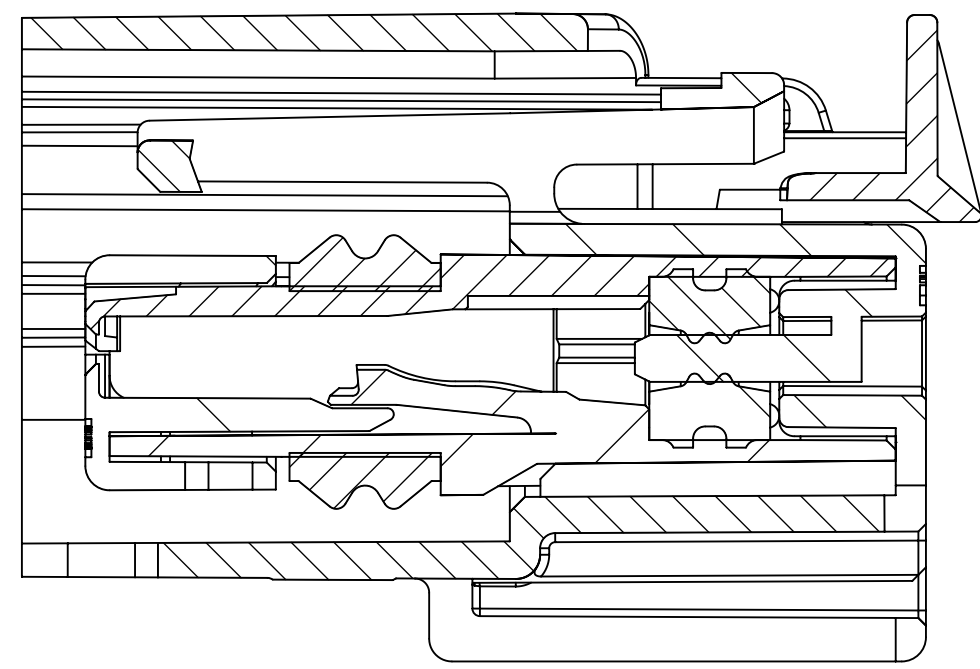
ITEM	DESCRIPTION	COLOR	MATERIAL
1	CONNECTOR HOUSING	SEE CHART	PBT GF15
2	TERMINAL HOUSING	BLACK	SPS/PA66 GF30
3	TPA	NATURAL	SPS/PA66 GF20
4	MATTE SEAL	SEE CHART	SILICONE RUBBER
5	PERIPHERAL SEAL	SEE CHART	SILICONE RUBBER
6	CPA - OPTIONAL	RED	PBT GF30

FUNCTIONAL SYMBOLS FA = 0 EC = 0 EP = 0 DIVISIONAL SYMBOLS	THIS DRAWING CONTAINS INFORMATION THAT IS PROPRIETARY TO MOLEX ELECTRONIC TECHNOLOGIES, LLC AND SHOULD NOT BE USED WITHOUT WRITTEN PERMISSION		DIMENSION UNITS: mm SCALE: 1:1		CURRENT REV DESC:					
	GENERAL TOLERANCES (UNLESS SPECIFIED) ANGULAR TOL ± 3.0°		4 PLACES ± 3 PLACES ± 2 PLACES ± 0.13 1 PLACE ± 0.3 0 PLACES ±		EC NO: 630695 DRWN: PZHANG71 2020/01/17 CHK'D: CDZHANG 2020/06/09 APPR: JDENG02 2020/06/23					
	DRAFT WHERE APPLICABLE MUST REMAIN WITHIN DIMENSIONS		THIRD ANGLE PROJECTION		DRAWING: D-SIZE SERIES: 31402		INITIAL REVISION: DRWN: RCARLSON 2004/03/01 APPR: PBERG 2004/09/30		PRODUCT CUSTOMER DRAWING	
							DOCUMENT NUMBER: SD-31402-211 DOC TYPE: PSD DOC PART: 001 REVISION: U5		SHEET NUMBER: 2 OF 8	



SECTION C-C

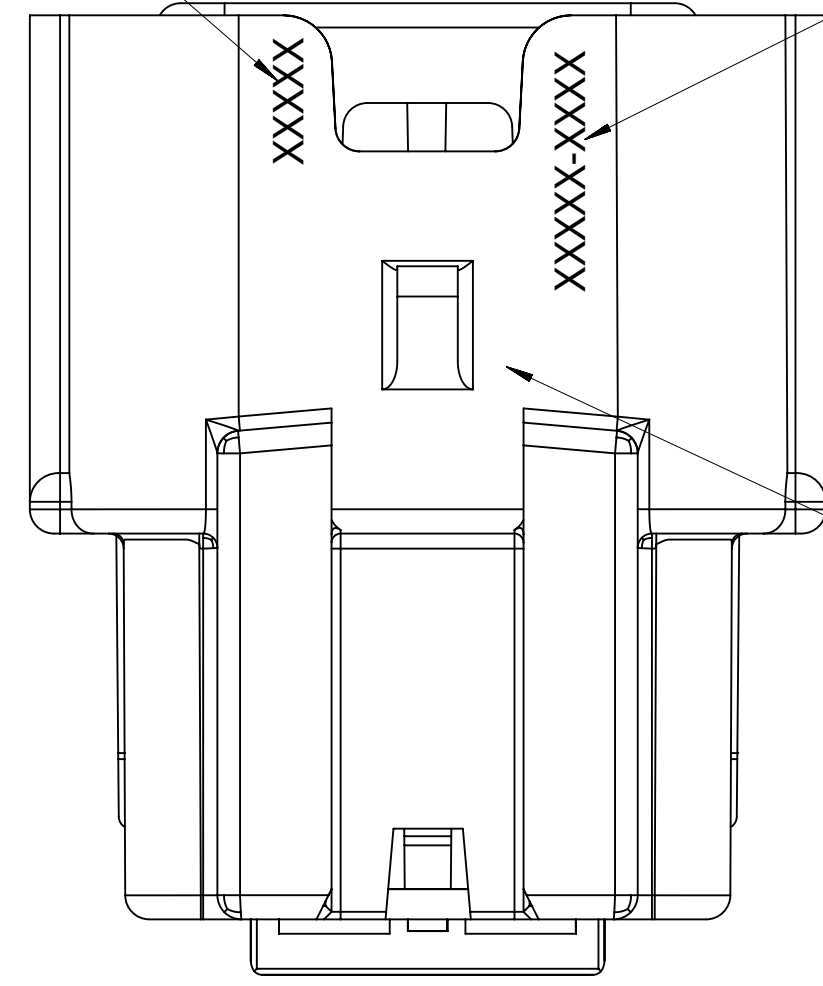
TPA SHOWN IN AS-SHIPPED
PRE-LOCKED POSITION
SEE NOTE 1c



SECTION C-C

TPA SHOWN IN FINAL
LOCKED POSITION

DATE CODE
SEE NOTE 2g

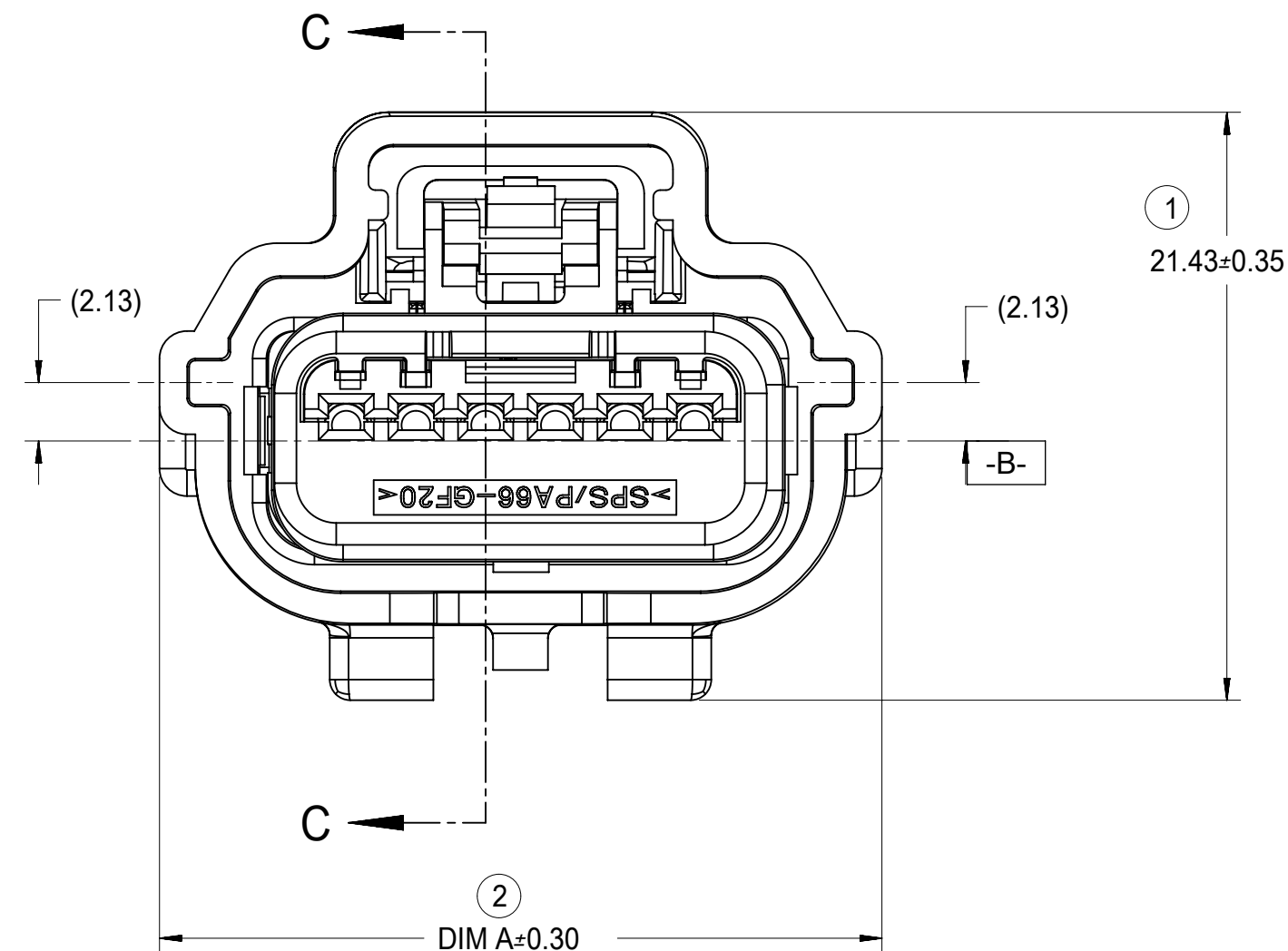
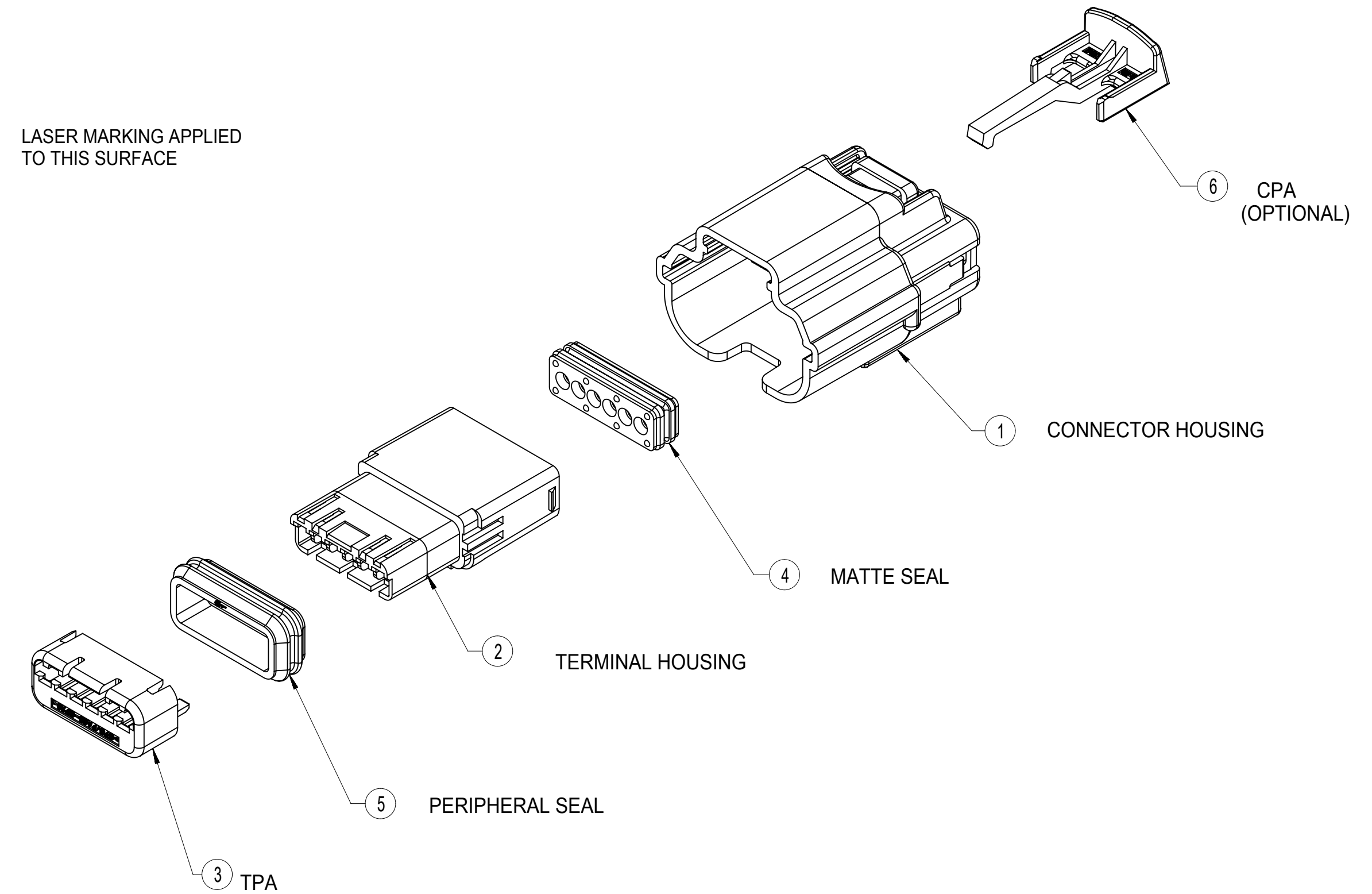


MOLEX P/N

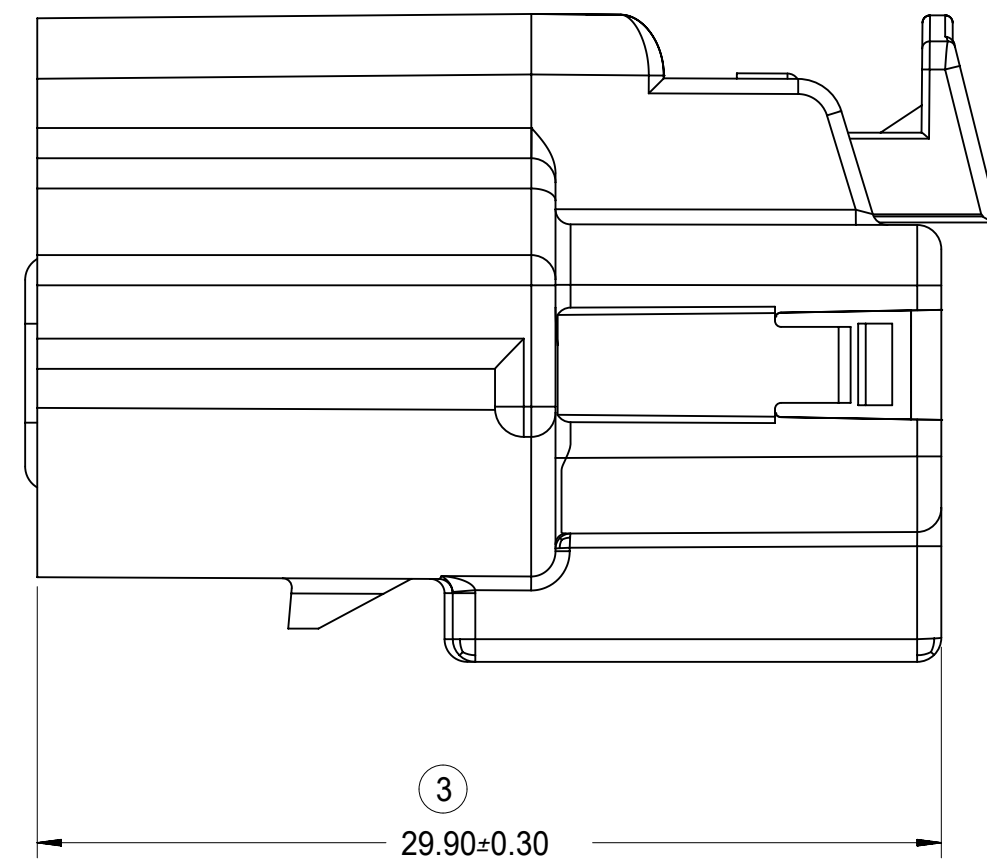
LASER MARKING APPLIED
TO THIS SURFACE

BOTTOM VIEW

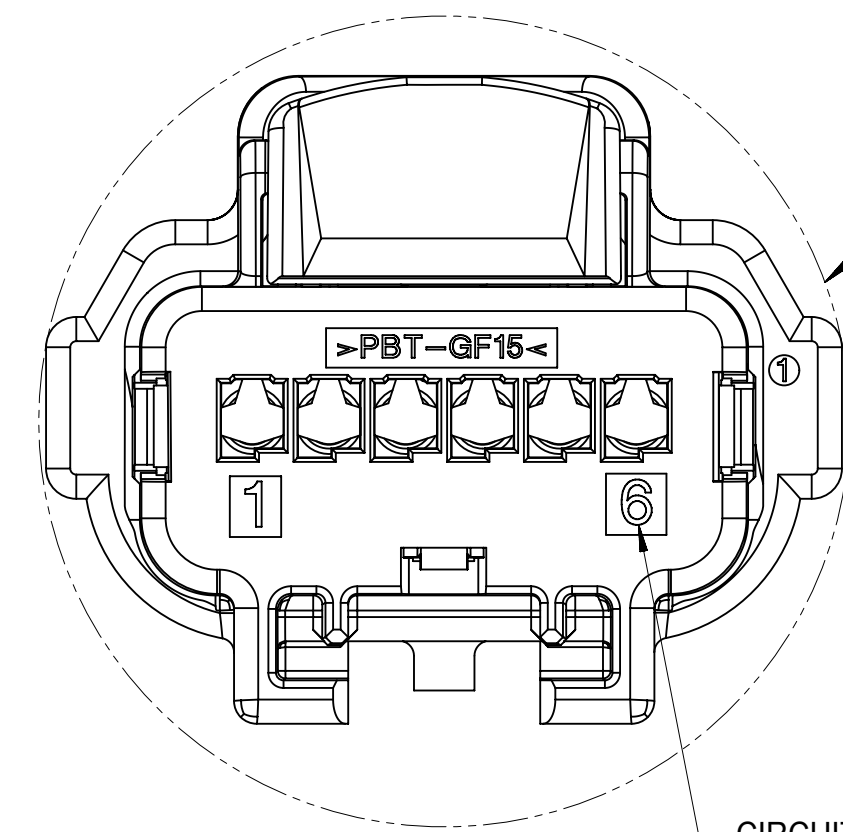
CONNECTOR ASSEMBLY WITH CLIPSLOT



FRONT VIEW
POLARIZATION A



RIGHT SIDE VIEW



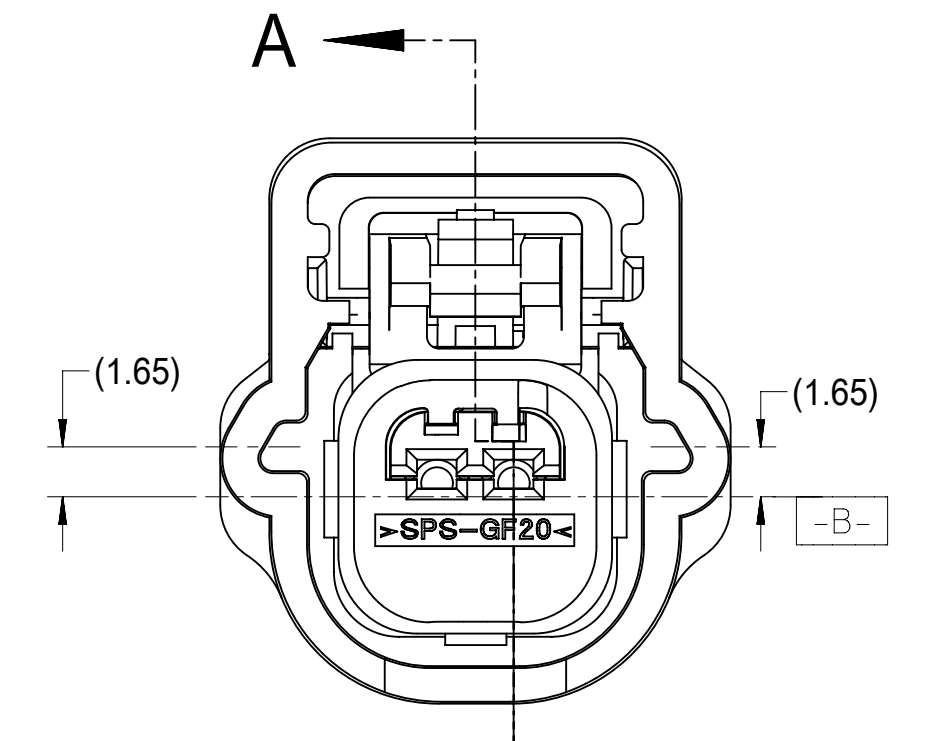
(MIN. PASS-THRU
DIA. SEE CHART
ON SHEET 7)

BACK VIEW

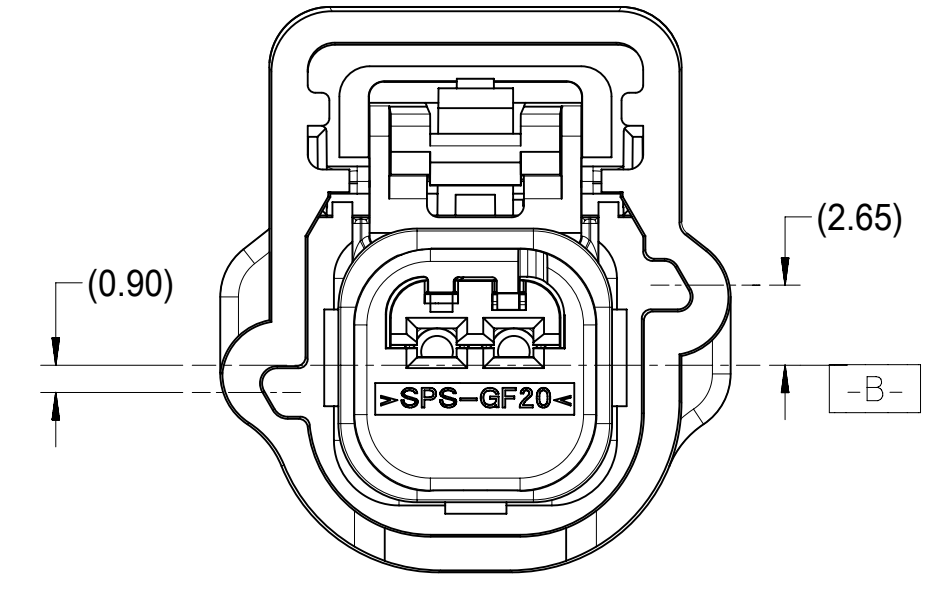
ITEM	DESCRIPTION	COLOR	MATERIAL
1	CONNECTOR HOUSING	SEE CHART	PBT GF15
2	TERMINAL HOUSING	BLACK	SPS/PA66 GF30
3	TPA	NATURAL	SPS/PA66 GF20
4	MATTE SEAL	SEE CHART	SILICONE RUBBER
5	PERIPHERAL SEAL	SEE CHART	SILICONE RUBBER
6	CPA - OPTIONAL	RED	PBT GF30

FUNCTIONAL SYMBOLS FA = 0 FE = 0 FP = 0 DIVISIONAL SYMBOLS	THIS DRAWING CONTAINS INFORMATION THAT IS PROPRIETARY TO MOLEX ELECTRONIC TECHNOLOGIES, LLC AND SHOULD NOT BE USED WITHOUT WRITTEN PERMISSION DIMENSION UNITS: mm SCALE: 1:1	CURRENT REV DESC: EC NO: 630695 DRWN: PZHANG71 CHK'D: CDZHANG APPR: JDENG02			
	GENERAL TOLERANCES (UNLESS SPECIFIED) ANGULAR TOL ± 3.0° 4 PLACES ± 3 PLACES ± 2 PLACES ± 0.13 1 PLACE ± 0.3 0 PLACES ±	2020/01/17 2020/06/09 2020/06/23			
DRAFT WHERE APPLICABLE MUST REMAIN WITHIN DIMENSIONS	THIRD ANGLE PROJECTION	DRAWING: D-SIZE SERIES: 31402	MATERIAL NUMBER: _____ CUSTOMER: GENERAL MARKET	SHEET NUMBER: 3 OF 8	

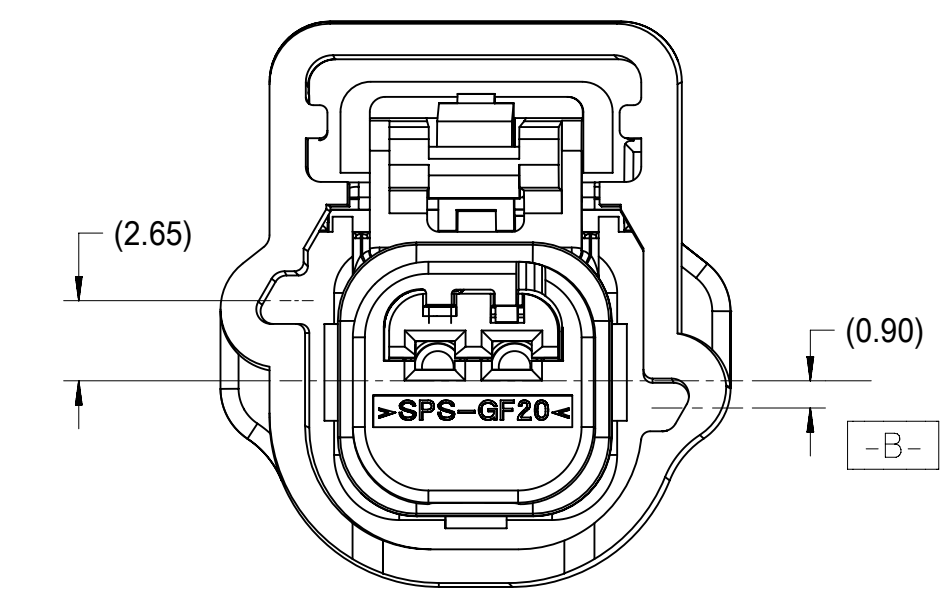
1X2



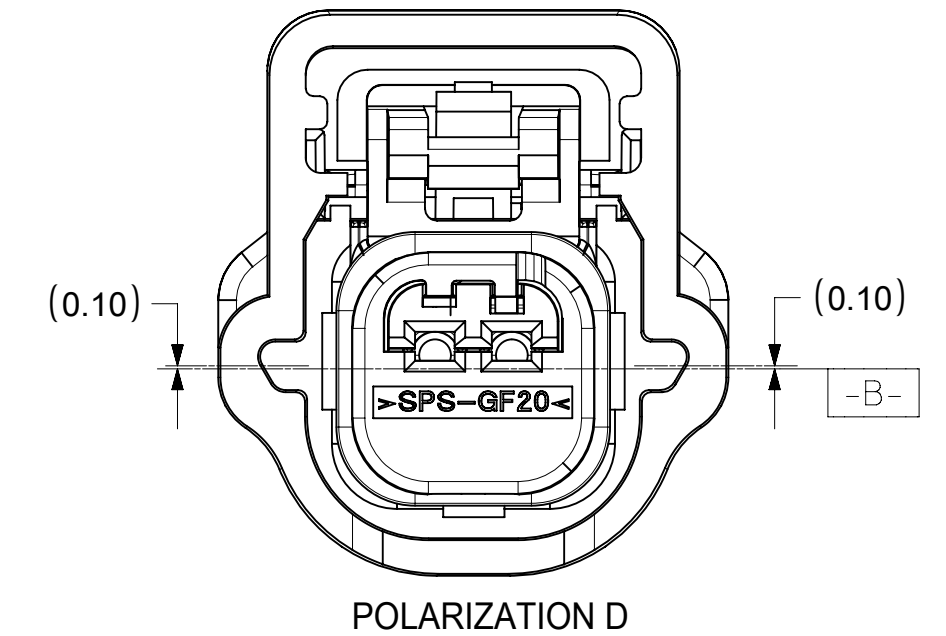
FRONT VIEW
POLARIZATION A



POLARIZATION B

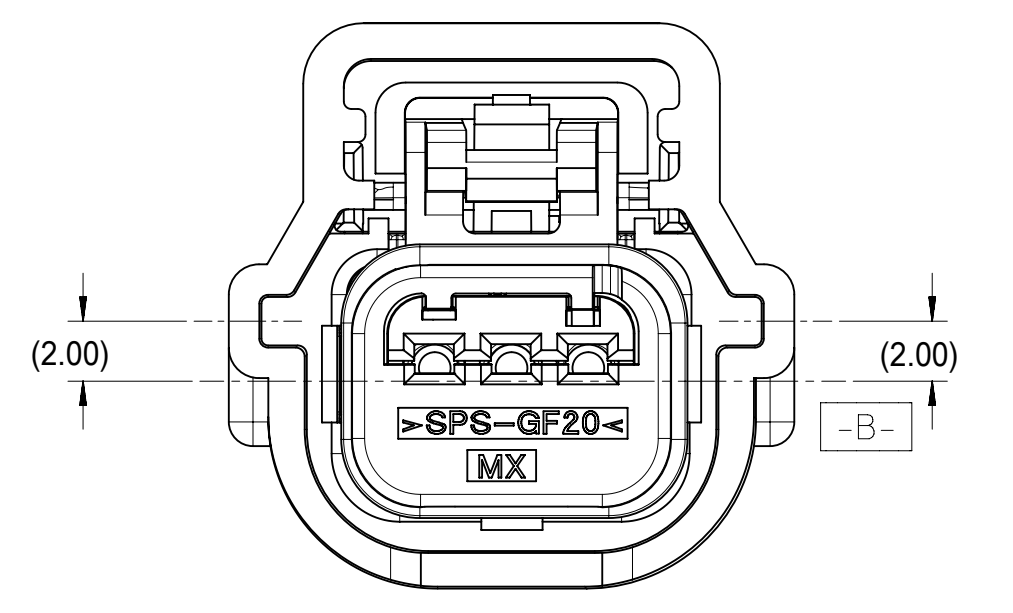


POLARIZATION C

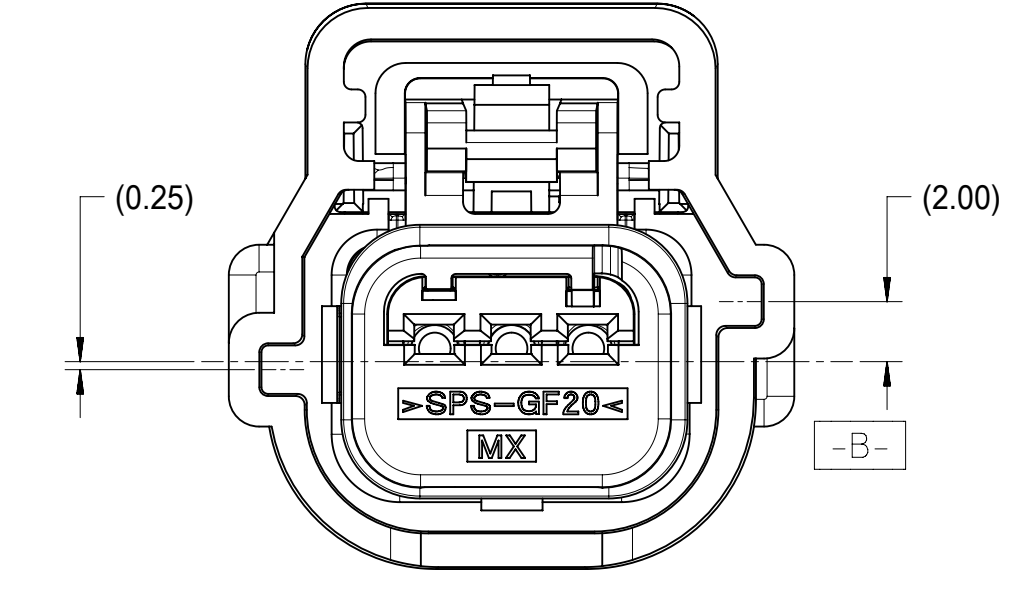


POLARIZATION D

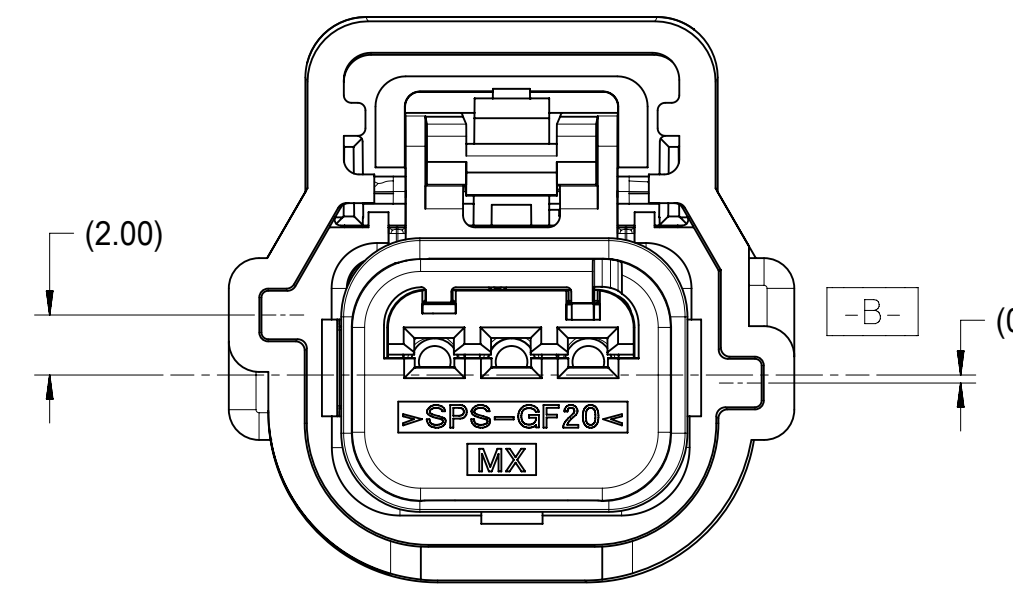
1X3



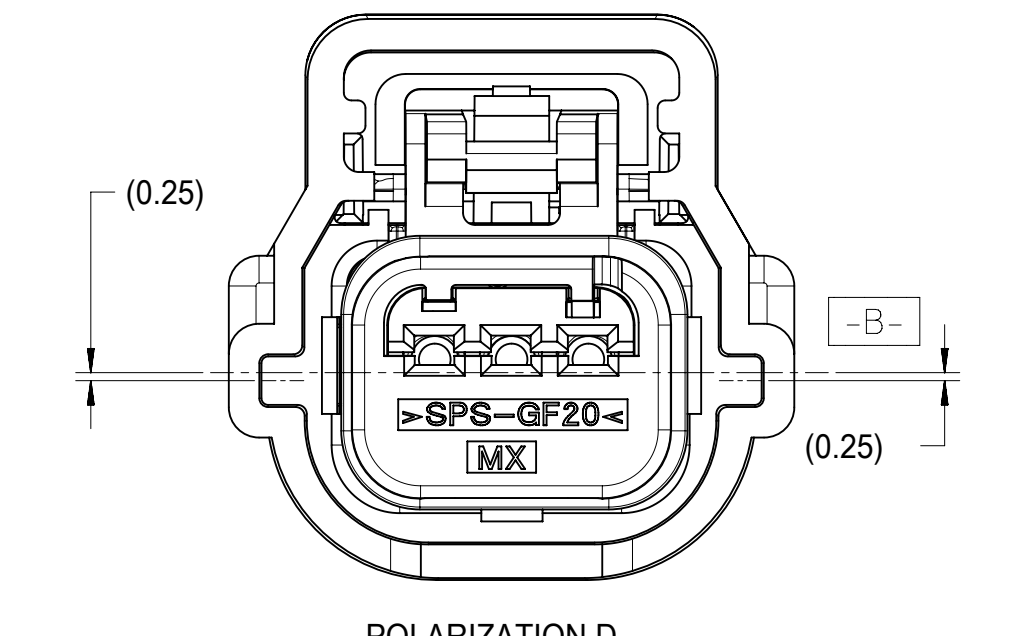
POLARIZATION A



POLARIZATION B

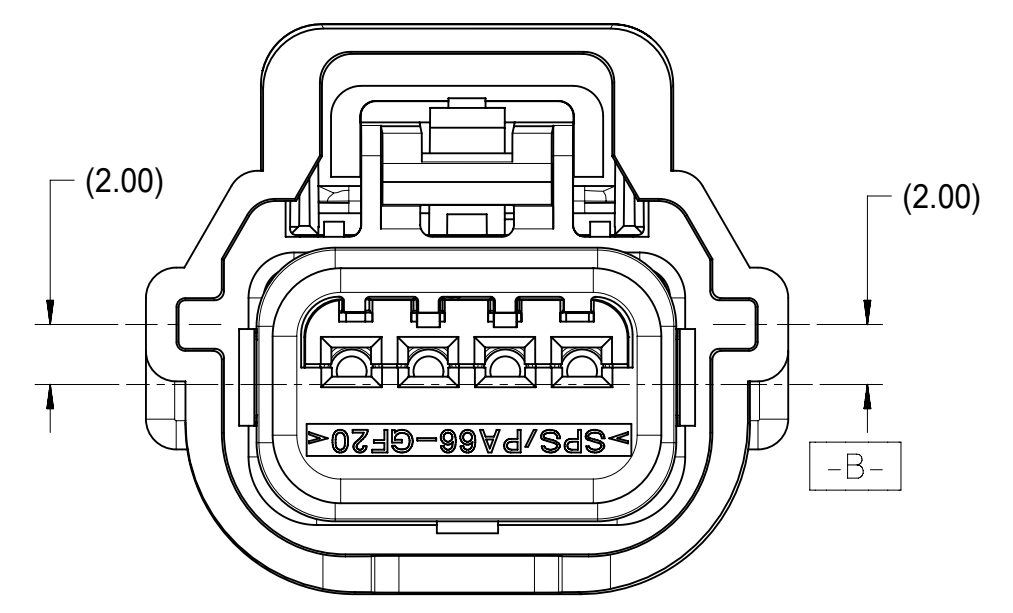


POLARIZATION C



POLARIZATION D

1X4



POLARIZATION A

KEY CONFIGURATIONS

FUNCTIONAL SYMBOLS	THIS DRAWING CONTAINS INFORMATION THAT IS PROPRIETARY TO MOLEX ELECTRONIC TECHNOLOGIES, LLC AND SHOULD NOT BE USED WITHOUT WRITTEN PERMISSION		
	FA = 0	mm	SCALE 1:1
DIVISIONAL SYMBOLS	GENERAL TOLERANCES (UNLESS SPECIFIED)		
	FC = 0	ANGULAR TOL ± 3.0°	
DIVISIONAL SYMBOLS	FD = 0	4 PLACES	±
		3 PLACES	±
		2 PLACES	± 0.13
		1 PLACE	± 0.3
	0 PLACES	±	
DRAFT WHERE APPLICABLE MUST REMAIN WITHIN DIMENSIONS		THIRD ANGLE PROJECTION	DRAWING D-SIZE
		SERIES 31402	
		MATERIAL NUMBER	CUSTOMER GENERAL MARKET
		REVISION	SHEET NUMBER



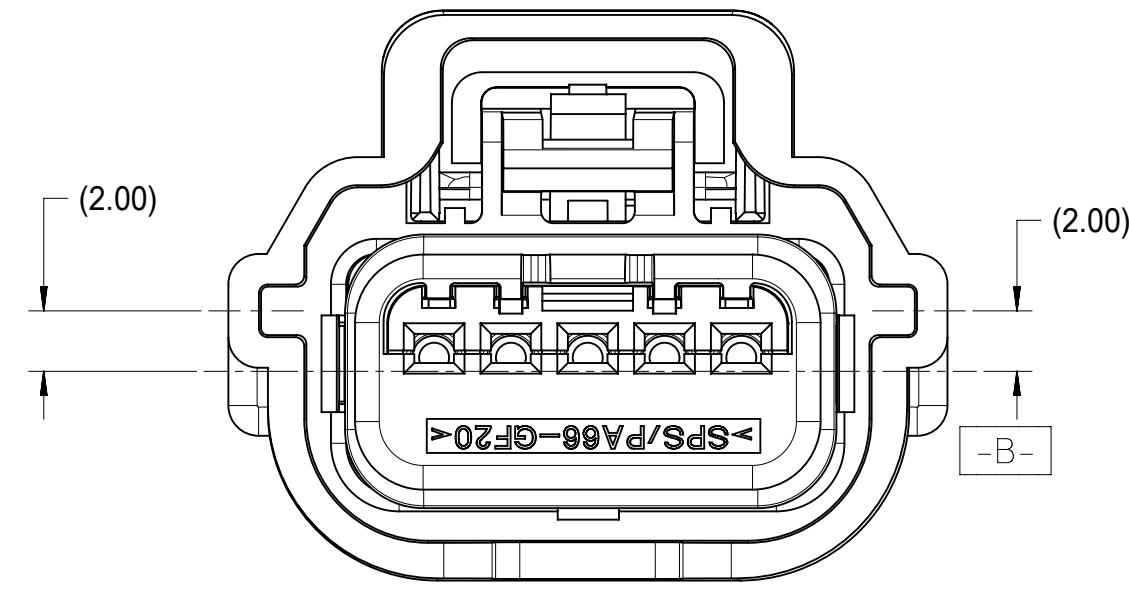
0.64 USCAR CONNECTOR
SEALED SINGLE ROW ASSEMBLY

PRODUCT CUSTOMER DRAWING

DOCUMENT NUMBER	DOC TYPE	DOC PART	REVISION
SD-31402-211	PSD	001	U5

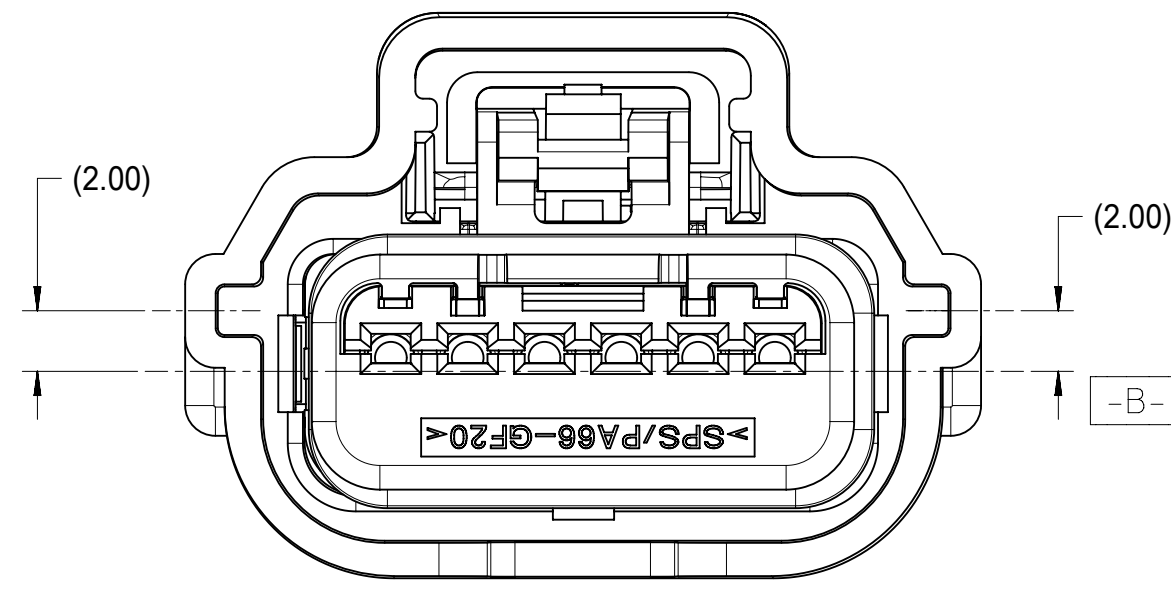
DOCUMENT STATUS	P1	RELEASE DATE	2020/06/23 05:15:10
-----------------	----	--------------	---------------------

1X5

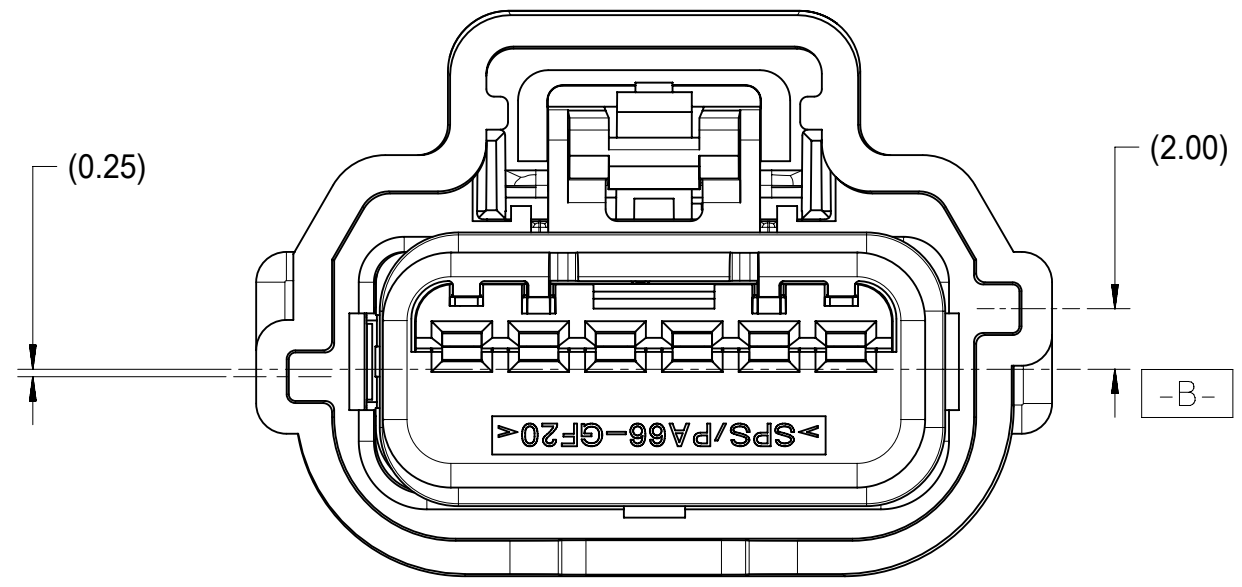


POLARIZATION A

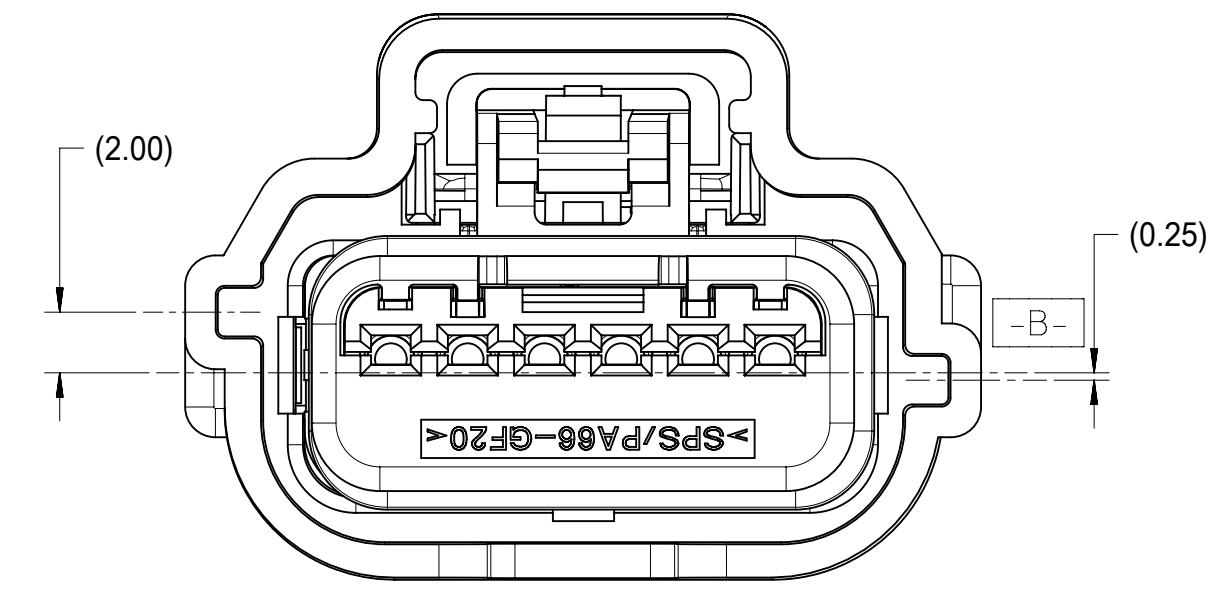
1X6



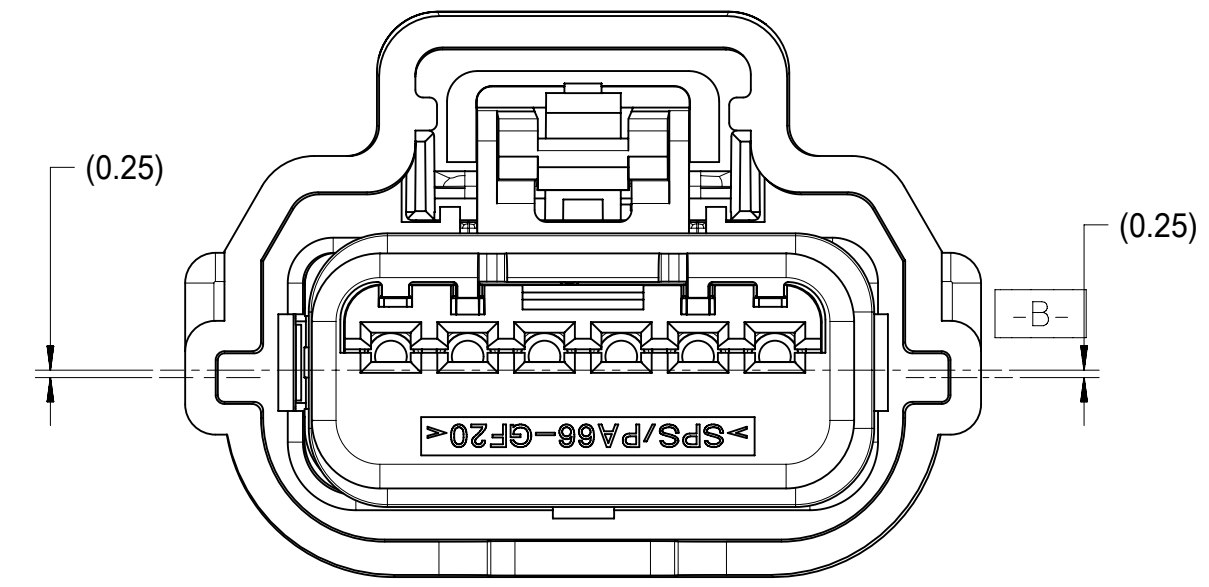
POLARIZATION A



POLARIZATION B

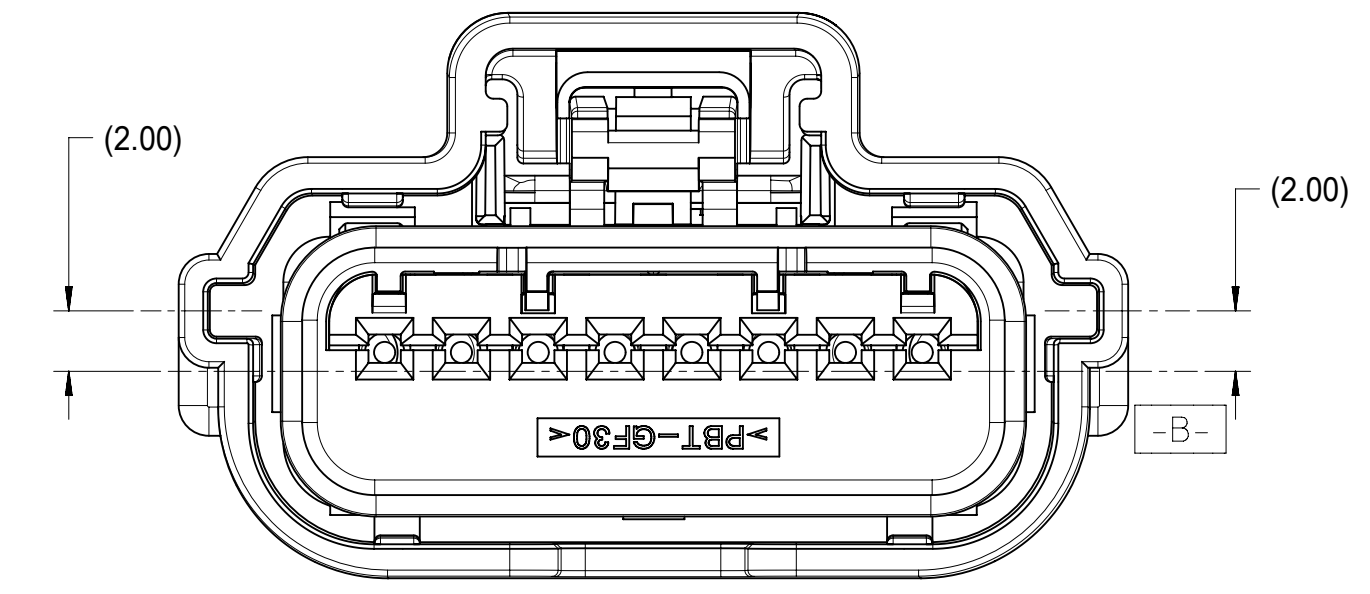


POLARIZATION C

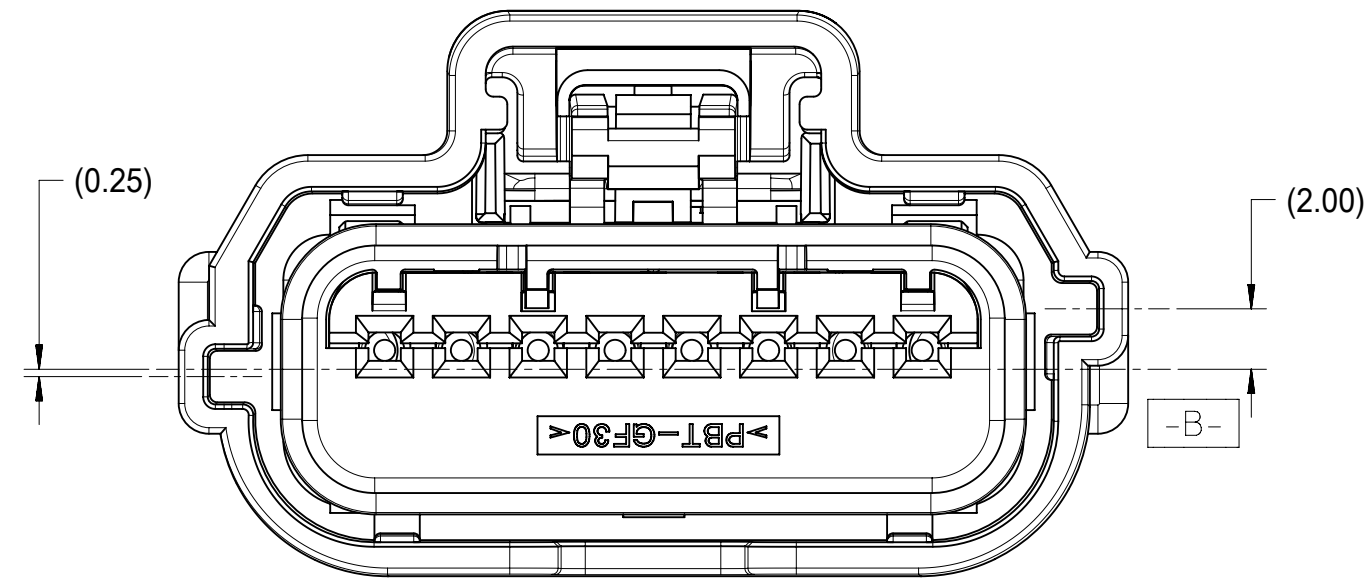


POLARIZATION D

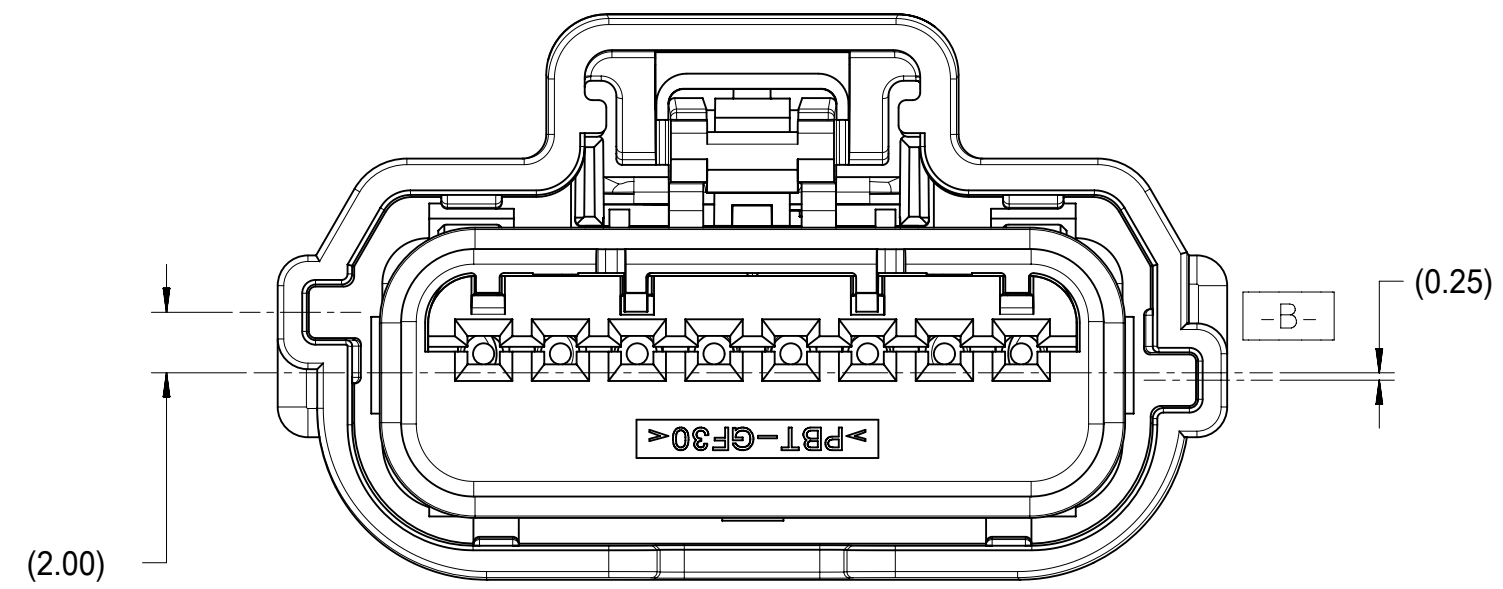
1X8



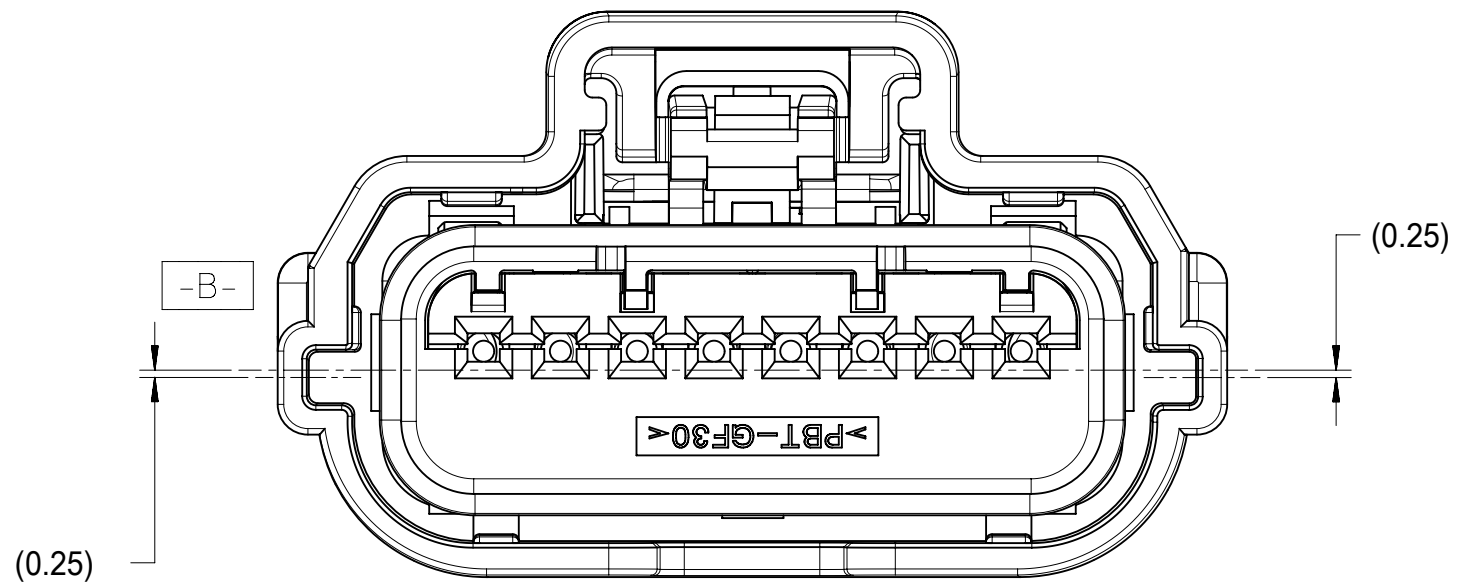
POLARIZATION A



POLARIZATION B



POLARIZATION C



POLARIZATION D

KEY CONFIGURATIONS

FUNCTIONAL SYMBOLS	THIS DRAWING CONTAINS INFORMATION THAT IS PROPRIETARY TO MOLEX ELECTRONIC TECHNOLOGIES, LLC AND SHOULD NOT BE USED WITHOUT WRITTEN PERMISSION	
	DIMENSION UNITS	SCALE
$F_A = 0$	mm	1:1
DIVISIONAL SYMBOLS	GENERAL TOLERANCES (UNLESS SPECIFIED)	
	ANGULAR TOL $\pm 3.0^\circ$	
	4 PLACES	\pm
	3 PLACES	\pm
	2 PLACES	± 0.13
1 PLACE	± 0.3	
0 PLACES	\pm	
DRAFT WHERE APPLICABLE MUST REMAIN WITHIN DIMENSIONS		THIRD ANGLE PROJECTION
		DRAWING SERIES
		D-SIZE 31402
CURRENT REV DESC:		
EC NO: 630695		
DRWN: PZHANG71		2020/01/17
CHK'D: CDZHANG		2020/06/09
APPR: JDENG02		2020/06/23
INITIAL REVISION:		
DRWN: RCARLSON		2004/03/01
APPR: PBERG		2004/09/30
DOCUMENT NUMBER		DOC TYPE DOC PART REVISION
SD-31402-211		PSD 001 U5
MATERIAL NUMBER		CUSTOMER SHEET NUMBER
		GENERAL MARKET 5 OF 8

molex

0.64 USCAR CONNECTOR
SEALED SINGLE ROW ASSEMBLY

PRODUCT CUSTOMER DRAWING

DOCUMENT NUMBER DOC TYPE DOC PART REVISION

SD-31402-211 PSD 001 U5

MATERIAL NUMBER CUSTOMER SHEET NUMBER

GENERAL MARKET 5 OF 8

PART NUMBER WITHOUT CPA	PART NUMBER WITH CPA	CLIPSLOT OPTION	ROW/ CIRCUITS	KEY*	MATTE SEAL COLOR	PERIMETER SEAL COLOR	CONNECTOR COLOR	WIDTH DIM (A)	MIN. PASS THRU DIA.	FEMALE TERMINAL SUPPLIER	USCAR FOOTPRINT DRAWING NO.	STATUS								
31402-2100	31402-2110	NO	1 X 2	A	ROYAL BLUE	BLUE	BLACK	16.88	(20.80)	TYCO OR MOLEX GET 0.64	064-S-002-1-Z02	SALEABLE								
31402-2200	31402-2210			B								SALEABLE								
31402-2500	31402-2510			B								SALEABLE								
31402-2600	31402-2610			C								SALEABLE								
31402-2700	31402-2710			D								SALEABLE								
31403-2000	31403-2010			D						SALEABLE										
31403-2100	31403-2110			A						SALEABLE										
31403-2200	31403-2210			B						SALEABLE										
31403-2500	31403-2510			B						SALEABLE										
31403-2600	31403-2610			C						SALEABLE										
31403-2700	31403-2710			D						SALEABLE										
31403-2800	31403-2810			C						SALEABLE										
31403-2900	31403-2910			D						SALEABLE										
31404-2100	31404-2110			A						NOT TOOLED										
31404-2200	31404-2210			B						NOT TOOLED										
31404-2300	31404-2310			C						NOT TOOLED										
31404-2400	31404-2410			D						NOT TOOLED										
31404-2500	31404-2510			B						NOT TOOLED										
31404-2600	31404-2610			C						NOT TOOLED										
31404-2700	31404-2710			D						NOT TOOLED										
31402-3100	31402-3110	NO	1 X 3	A	LIGHT BLUE	RUST RED	BLACK	18.70	(22.00)	TYCO OR MOLEX GET 0.64	064-S-003-1-Z01	SALEABLE								
31402-3200	31402-3210			B								SALEABLE								
31402-3500	31402-3510			B								SALEABLE								
31402-3600	31402-3610			C								SALEABLE								
31402-3700	31402-3710			D								SALEABLE								
31403-3000	31403-3010			D						SALEABLE										
31403-3100	31403-3110			A						SALEABLE										
31403-3200	31403-3210			B						SALEABLE										
31403-3500	31403-3510			B						SALEABLE										
31403-3600	31403-3610			C						SALEABLE										
31403-3700	31403-3710			D						SALEABLE										
31403-3800	31403-3810			C						SALEABLE										
31404-3100	31404-3110			A						SALEABLE										
31404-3200	31404-3210			B						SALEABLE										
31404-3500	31404-3510			B						SALEABLE										
31404-3600	31404-3610			C						SALEABLE										
31404-3700	31404-3710			D						SALEABLE										
31402-4100	31402-4110			NO						1 X 4		A	TBD	TBD	BLACK	21.25	(22.34)	TYCO OR MOLEX GET 0.64	064-S-004-1-Z02	NOT TOOLED
31402-4200	31402-4210											B								NOT TOOLED
31402-4300	31402-4310											C								NOT TOOLED
31402-4400	31402-4410	D	NOT TOOLED																	
31402-4500	31402-4510	B	NOT TOOLED																	
31402-4600	31402-4610	C	NOT TOOLED																	
31402-4700	31402-4710	D	NOT TOOLED																	
31403-4100	31403-4110	A	NOT TOOLED																	
31403-4200	31403-4210	B	NOT TOOLED																	
31403-4300	31403-4310	C	NOT TOOLED																	
31403-4400	31403-4410	D	NOT TOOLED																	
31403-4500	31403-4510	B	NOT TOOLED																	
31403-4600	31403-4610	C	NOT TOOLED																	
31403-4700	31403-4710	D	NOT TOOLED																	
31404-4100	31404-4110	A	NOT TOOLED																	
31404-4200	31404-4210	B	NOT TOOLED																	
31404-4300	31404-4310	C	NOT TOOLED																	
31404-4400	31404-4410	D	NOT TOOLED																	
31404-4500	31404-4510	B	NOT TOOLED																	
31404-4600	31404-4610	C	NOT TOOLED																	
31404-4700	31404-4710	D	NOT TOOLED																	

FUNCTIONAL SYMBOLS	THIS DRAWING CONTAINS INFORMATION THAT IS PROPRIETARY TO MOLEX ELECTRONIC TECHNOLOGIES, LLC AND SHOULD NOT BE USED WITHOUT WRITTEN PERMISSION		CURRENT REV DESC:		molex
	DIMENSION UNITS	SCALE			
$F_A = 0$	mm	1:1			0.64 USCAR CONNECTOR SEALED SINGLE ROW ASSEMBLY
$F_C = 0$	GENERAL TOLERANCES (UNLESS SPECIFIED)				
$F_P = 0$	ANGULAR TOL ± 3.0°				PRODUCT CUSTOMER DRAWING
DIVISIONAL SYMBOLS	4 PLACES	±	EC NO: 630695		
	3 PLACES	±	DRWN: PZHANG71 2020/01/17		
	2 PLACES	± 0.13	CHK'D: CDZHANG 2020/06/09		
	1 PLACE	± 0.3	APPR: JDENG02 2020/06/23		
0 PLACES	±			INITIAL REVISION: DRWN: RCARLSON 2004/03/01 APPR: PBERG 2004/09/30	
DRAFT WHERE APPLICABLE MUST REMAIN WITHIN DIMENSIONS		THIRD ANGLE PROJECTION	DRAWING		SERIES
			D-SIZE	31402	DOCUMENT NUMBER: SD-31402-211
					DOC TYPE: PSD
					DOC PART: 001
					REVISION: U5
					MATERIAL NUMBER: GENERAL MARKET
					CUSTOMER: 6 OF 8

PART NUMBER WITHOUT CPA	PART NUMBER WITH CPA	CLIPSLOT OPTION	ROW/ CIRCUITS	KEY*	MATTE SEAL COLOR	PERIMETER SEAL COLOR	CONNECTOR COLOR	WIDTH DIM (A)	MIN. PASS THRU DIA.	FEMALE TERMINAL SUPPLIER	USCAR FOOTPRINT DRAWING NO.	STATUS							
31402-5100	31402-5110	NO	1 X 5	A	TBD	TBD	BLACK	23.80	(24.28)	TYCO OR MOLEX GET 0.64	064-S-005-1-Z02	NOT TOOLED							
31402-5200	31402-5210			B			GRAY					NOT TOOLED							
31402-5300	31402-5310			C			BROWN					NOT TOOLED							
31402-5400	31402-5410			D			GREEN					NOT TOOLED							
31402-5500	31402-5510			B			BLACK					NOT TOOLED							
31402-5600	31402-5610			C			BLACK					NOT TOOLED							
31402-5700	31402-5710			D			BLACK					NOT TOOLED							
31403-5100	31403-5110			A			BLACK					NOT TOOLED							
31403-5200	31403-5210			B			GRAY					NOT TOOLED							
31403-5300	31403-5310			C			BROWN			NOT TOOLED									
31403-5400	31403-5410			D			GREEN			NOT TOOLED									
31403-5500	31403-5510			B			BLACK			NOT TOOLED									
31403-5600	31403-5610			C			BLACK			NOT TOOLED									
31403-5700	31403-5710			D			BLACK			NOT TOOLED									
31404-5100	31404-5110			A			BLACK			NOT TOOLED									
31404-5200	31404-5210			B			GRAY			NOT TOOLED									
31404-5300	31404-5310			C			BROWN			NOT TOOLED									
31404-5400	31404-5410			D			GREEN			NOT TOOLED									
31404-5500	31404-5510			B			BLACK			NOT TOOLED									
31404-5600	31404-5610			C			BLACK			NOT TOOLED									
31404-5700	31404-5710			D			BLACK			NOT TOOLED									
31402-6100	31402-6110	NO	1 X 6	A	ROYAL BLUE	LIGHT BLUE	BLACK	26.33	(26.82)	TYCO OR MOLEX GET 0.64	064-S-006-1-Z02	SALEABLE							
31402-6200	31402-6210			B			GRAY					SALEABLE							
31402-6500	31402-6510			B			BLACK					SALEABLE							
31402-6600	31402-6610			C			BLACK					SALEABLE							
31402-6700	31402-6710			D			BLACK					SALEABLE							
31403-6100	31403-6110			A			BLACK					SALEABLE							
31403-6200	31403-6210			B			GRAY					SALEABLE							
31403-6500	31403-6510			B			BLACK					SALEABLE							
31403-6600	31403-6610			C			BLACK					SALEABLE							
31403-6700	31403-6710			D			BLACK			SALEABLE									
31404-7100	31404-7110			A			BLACK			SALEABLE									
31404-7200	31404-7210			B			GRAY			SALEABLE									
31404-7500	31404-7510			B			BLACK			SALEABLE									
31404-7600	31404-7610			C			BLACK			SALEABLE									
31404-7700	31404-7710			D			BLACK			SALEABLE									
31404-7800	31404-7810			C			NATURAL			SALEABLE									
																	YAZAKI KAIZEN 0.64 TE GEN Y 0.64 JST AIT 0.64		NOT TOOLED
												NOT TOOLED							
												NOT TOOLED							
												NOT TOOLED							
												NOT TOOLED							
												SALEABLE							
												SALEABLE							
												SALEABLE							
												SALEABLE							
												SALEABLE							
												SALEABLE							
												SALEABLE							
												SALEABLE							
												SALEABLE							
												SALEABLE							
												SALEABLE							
												SALEABLE							
												SALEABLE							
												SALEABLE							
												SALEABLE							
												SALEABLE							
												SALEABLE							
												SALEABLE							
												SALEABLE							
												SALEABLE							
												SALEABLE							

PART NUMBER WITHOUT CPA	PART NUMBER WITH CPA	CLIPSLOT OPTION	ROW/ CIRCUITS	KEY*	MATTE SEAL COLOR	PERIMETER SEAL COLOR	CONNECTOR COLOR	WIDTH DIM (A)	MIN. PASS THRU DIA.	FEMALE TERMINAL SUPPLIER	USCAR FOOTPRINT DRAWING NO.	STATUS							
31402-8100	31402-8110	NO	1 X 8	A	TBD	TBD	BLACK	31.25	(31.90)	TYCO OR MOLEX GET 0.64	064-S-008-1-Z02	NOT TOOLED							
31402-8200	31402-8210			B			GRAY					NOT TOOLED							
31402-8300	31402-8310			C			BROWN					NOT TOOLED							
31402-8400	31402-8410			D			GREEN					NOT TOOLED							
31402-8500	31402-8510			B			BLACK					NOT TOOLED							
31402-8600	31402-8610			C			BLACK					NOT TOOLED							
31402-8700	31402-8710			D			BLACK					NOT TOOLED							
31403-8100	31403-8110			A			BLACK					NOT TOOLED							
31403-8200	31403-8210			B			GRAY					NOT TOOLED							
31403-8300	31403-8310			C			BROWN					NOT TOOLED							
31403-8400	31403-8410			D			GREEN					NOT TOOLED							
31403-8500	31403-8510			B			BLACK					NOT TOOLED							
31403-8600	31403-8610			C			BLACK			NOT TOOLED									
31403-8700	31403-8710			D			BLACK			NOT TOOLED									
31404-8100	31404-8110			A			BLACK			NOT TOOLED									
31404-8200	31404-8210			B			LT. GRAY			NOT TOOLED									
31404-8300	31404-8310			C			DK. GRAY			NOT TOOLED									
31404-8400	31404-8410			D			TBD			NOT TOOLED									
																	REFER TO SD-31404-811		REPLACE BY 31404-9XXX
																			REPLACE BY 31404-9XXX

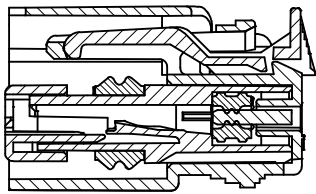
(L)

FUNCTIONAL SYMBOLS	THIS DRAWING CONTAINS INFORMATION THAT IS PROPRIETARY TO MOLEX ELECTRONIC TECHNOLOGIES, LLC AND SHOULD NOT BE USED WITHOUT WRITTEN PERMISSION		
= 0	DIMENSION UNITS	SCALE	CURRENT REV DESC:
= 0	mm	1:1	
= 0	GENERAL TOLERANCES (UNLESS SPECIFIED)		
	ANGULAR TOL ± 3.0°		
DIVISIONAL SYMBOLS	EC NO: 630695		
	4 PLACES ±	DRWN: PZHANG71 2020/01/17	
	3 PLACES ±	CHK'D: CDZHANG 2020/06/09	
	2 PLACES ± 0.13	APPR: JDENG02 2020/06/23	
	1 PLACE ± 0.3	INITIAL REVISION:	
	0 PLACES ±	DRWN: RCARLSON 2004/03/01	
		APPR: PBERG 2004/09/30	
DRAFT WHERE APPLICABLE MUST REMAIN WITHIN DIMENSIONS		THIRD ANGLE PROJECTION	DRAWING SERIES
			31402
DOCUMENT STATUS P1		RELEASE DATE 2020/06/23 05:15:10	MATERIAL NUMBER CUSTOMER SHEET NUMBER
			SD-31402-211 PSD 001 U5
			GENERAL MARKET 7 OF 8

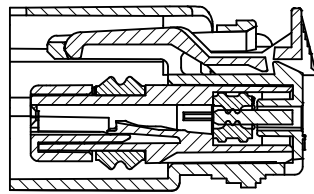
ADDITIONAL CAVITY PLUG CONFIGURATIONS:

ROW/ CIRCUITS	FEMALE TERMINAL	MOLEX P/N WITH CPA	MOLEX P/N WITHOUT CPA	KEY OPTION	CLIPSLOT OPTION	COLOR	CIRCUIT NUMBER: "0" INDICATED PLUG LOCATION						TOTAL CIRCUITS PLUGGED	STATUS
							1	2	3	4	5	6		
1X6	TYCO/MOLEX GET	31402-6110	31402-6100	A	NO	BLACK							0	SALEABLE
		31402-6111	31402-6101	A	NO	BLACK	0	0	0	0	0	0	6	SALEABLE
		31402-6112	31402-6102	A	NO	BLACK	0	0					2	SALEABLE
		31402-6113	31402-6103	A	NO	BLACK		0					1	SALEABLE
		31402-6114	31402-6104	A	NO	BLACK	0	0	0	0			4	SALEABLE
		31402-6115	31402-6105	A	NO	BLACK			0		0	0	3	SALEABLE
		31402-6118	31402-6108	A	NO	BLACK					0		1	SALEABLE
		31402-6119	31402-6109	A	NO	BLACK			0				1	SALEABLE
		31402-6131	31402-6121	A	NO	BLACK				0			1	SALEABLE (S)
		31402-6132	31402-6122	A	NO	BLACK	0	0	0				3	SALEABLE (U5)
		31402-6133	31402-6123	A	NO	BLACK				0	0	0	3	SALEABLE (U5)
		31402-6150	31402-6140	A	YES	BLACK							0	
		31402-6211	31402-6201	B	NO	GRAY	0	0	0	0	0	0	6	SALEABLE (T4)
		31402-6511	31402-6501	B	NO	BLACK	0	0	0	0	0	0	6	SALEABLE (T4)
		31402-6611	31402-6601	C	NO	BLACK	0	0	0	0	0	0	6	SALEABLE (T4)
		31402-6711	31402-6701	D	NO	BLACK	0	0	0	0	0	0	6	SALEABLE (T4)
		31403-6110	31403-6100	A	NO	BLACK							0	
		31403-6111	31403-6101	A	NO	BLACK	0	0	0	0	0	0	6	SALEABLE
	31403-6112	31403-6102	A	NO	BLACK			0				1	SALEABLE	
	31403-6113	31403-6103	A	NO	BLACK	0	0	0		0		4	SALEABLE	
	31403-6114	31403-6104	A	NO	BLACK					0	0	2	SALEABLE	
	31403-6115	31403-6105	A	NO	BLACK			0		0	0	3	SALEABLE (U5)	
	31403-6211	31403-6201	B	NO	GRAY	0	0	0	0	0	0	6	SALEABLE (T4)	
	31403-6212	31403-6202	B	NO	GRAY				0	0	0	3	SALEABLE	
	31403-6511	31403-6501	B	NO	BLACK	0	0	0	0	0	0	6	SALEABLE (T4)	
	31403-6512	31403-6502	B	NO	BLACK				0			1	SALEABLE (U5)	
	31403-6611	31403-6601	C	NO	BLACK	0	0	0	0	0	0	6	SALEABLE (T4)	
	31403-6711	31403-6701	D	NO	BLACK	0	0	0	0	0	0	6	SALEABLE (T4)	
	31404-7110	31404-7100	A	NO	BLACK							0	SALEABLE	
	31404-7111	31404-7101	A	NO	BLACK	0	0	0	0	0	0	6	SALEABLE	
	31404-7112	31404-7102	A	NO	BLACK	0		0				2	SALEABLE	
	31404-7113	31404-7103	A	NO	BLACK	0						2	SALEABLE	
	31404-7116	31404-7106	A	NO	BLACK					0		1	SALEABLE	
	31404-7117	31404-7107	A	NO	BLACK	0		0		0		3	SALEABLE	
	31404-7118	31404-7108	A	NO	BLACK	0						1	SALEABLE	
	31404-7119	31404-7109	A	NO	BLACK			0		0	0	3	SALEABLE	
	31404-7132	31404-7122	A	NO	BLACK			0				1	SALEABLE	
	31404-7133	31404-7123	A	NO	BLACK		0					1	SALEABLE (T5)	
	31404-7134	31404-7124	A	NO	BLACK				0		0	2	SALEABLE (T6)	
	31404-7135	31404-7125	A	NO	BLACK		0		0			2	SALEABLE (T7)	
	31404-7136	31404-7126	A	NO	BLACK				0	0		2	SALEABLE (U2)	
	31404-7213	31404-7203	B	NO	GRAY	0				0		2	SALEABLE	
31404-7214	31404-7204	B	NO	GRAY					0	0	1	SALEABLE (T6)		
31404-7215	31404-7205	B	NO	GRAY		0					1	SALEABLE (T7)		
31404-7216	31404-7206	B	NO	GRAY		0			0	0	3	SALEABLE		
31404-7812	31404-7802	C	NO	NATURAL				0	0	0	3	SALEABLE (T6)		
31404-7813	31404-7803	C	NO	NATURAL		0					1	SALEABLE (T8)		
31404-7814	31404-7804	C	NO	NATURAL		0			0	0	3	SALEABLE (T5)		
31404-7912	31404-7902	D	NO	GRAY		0					1	SALEABLE (T7)		
31404-7913	31404-7903	D	NO	GRAY		0		0			2	SALEABLE		
1X3	TYCO/MOLEX GET	31402-3113	31402-3103	A	NO	BLACK			0			1	SALEABLE	
		31402-3114	31402-3104	A	NO	BLACK	0					1	SALEABLE (T4)	
		31402-3115	31402-3105	A	NO	BLACK		0				1	SALEABLE (U1)	
	MOLEX 0.64	31403-3132	31403-3122	A	NO	GRAY		0				1	SALEABLE (P)	
		31404-3112	31404-3102	A	NO	BLACK		0				1	SALEABLE (R)	

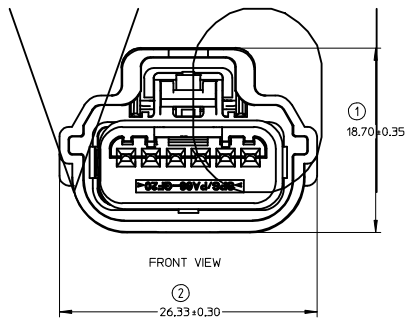
FUNCTIONAL SYMBOLS	THIS DRAWING CONTAINS INFORMATION THAT IS PROPRIETARY TO MOLEX ELECTRONIC TECHNOLOGIES, LLC AND SHOULD NOT BE USED WITHOUT WRITTEN PERMISSION	
$F_A = 0$	DIMENSION UNITS: mm	SCALE: 1:1
$F_C = 0$	GENERAL TOLERANCES (UNLESS SPECIFIED)	
$F_P = 0$	ANGULAR TOL $\pm 3.0^\circ$	
DIVISIONAL SYMBOLS	4 PLACES \pm	3 PLACES \pm
	2 PLACES ± 0.13	1 PLACE ± 0.3
	0 PLACES \pm	
DRAFT WHERE APPLICABLE MUST REMAIN WITHIN DIMENSIONS		THIRD ANGLE PROJECTION
CURRENT REV DESC:		EC NO: 630695
		DRWN: PZHANG71 2020/01/17
		CHK'D: CDZHANG 2020/06/09
		APPR: JDENG02 2020/06/23
INITIAL REVISION:		DRWN: RCARLSON 2004/03/01
		APPR: PBERG 2004/09/30
D-SIZE		SERIES 31402
MATERIAL NUMBER		CUSTOMER GENERAL MARKET
DOCUMENT NUMBER		DOC TYPE DOC PART REVISION
SD-31402-211		PSD 001 U5
SHEET NUMBER		8 OF 8



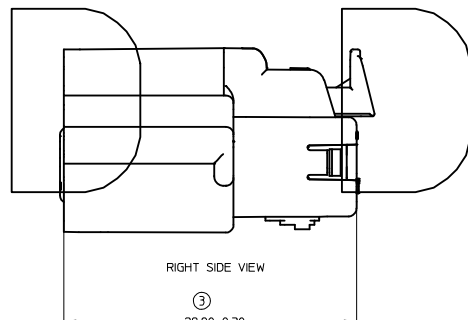
TPA SHOWN IN AS-SHIPPED PRE-LOCKED POSITION SEE NOTE 3



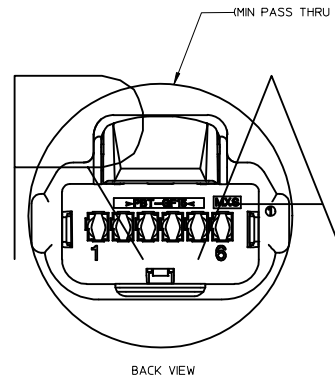
TPA SHOWN IN FINAL LOCKED POSITION



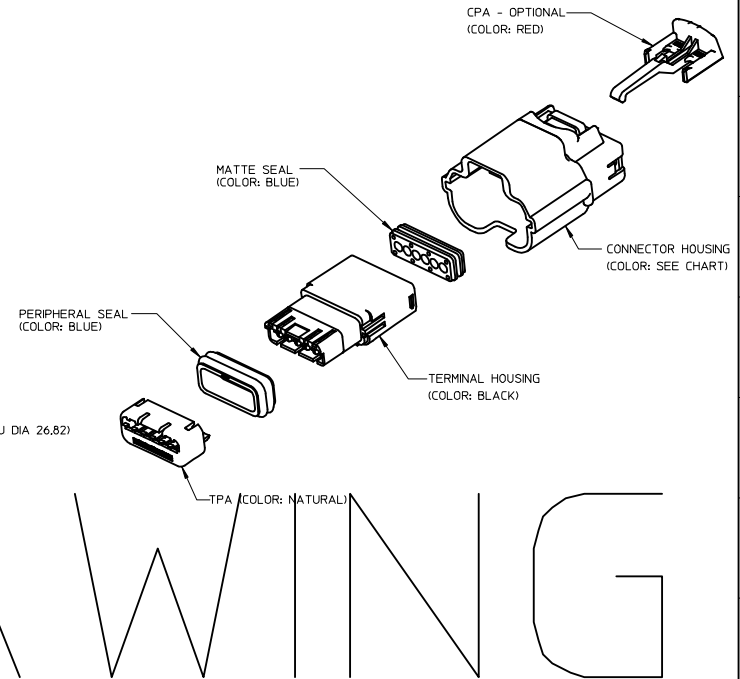
FRONT VIEW



RIGHT SIDE VIEW



BACK VIEW



6 CKT. CONNECTOR, POLARIZATION OPTION A SHOWN ABOVE
POLARIZATION KEY OPTIONS ARE STANDARD PER USCAR DRAWINGS
SEE WWW.USCARTEAMS.ORG

NOTES:

- DESIGNED TO MATE WITH DEVICE CONNECTION AS SPECIFIED IN USCAR INTERFACE DRAWINGS FOR SINGLE ROW SEALED 0.64 SYSTEMS, SEE WWW.USCARTEAMS.ORG.
- ASSEMBLY SHIPPED WITH TPA IN PRE-LOCKED POSITION, UPON FULL TERMINAL ASSEMBLY, TPA MUST BE SEATED TO THE FINAL LOCKED POSITION.
- TPA'S MAY BECOME SEATED DURING TRANSIT, IF THIS OCCURS, TPA'S SHOULD BE MOVED TO THE PRE-LOCKED POSITION PRIOR TO FEMALE TERMINAL INSTALLATION.
- SYSTEM TO BE USED WITH WIRE WITHIN RANGE OF 22 AWG TO 18 AWG, WITH OUTSIDE WIRE DIAMETERS RANGING FROM 1.50MM TO 2.06MM.
- SYSTEM TO BE USED WITH ONLY YAZAKI KAIZEN 0.64 FEMALE TERMINALS.

PART NUMBER WITHOUT CPA	PART NUMBER WITH CPA	ROW/ CIRCUITS	KEY	COLOR	USCAR FOOTPRINT DRAWING NO.
31404-6100	31404-6110	1 X 6	A	BLACK	064-S-006-1-202
31404-6200	31404-6210		B	GRAY	
31404-6300	31404-6310		C	BROWN	
31404-6400	31404-6410		D	GREEN	
31404-6500	31404-6510		B	BLACK	
31404-6600	31404-6610		C	BLACK	
31404-6700	31404-6710		D	BLACK	

SEE EC# UAU2005-0504 IEC NO. UAU2006-0724 DRAWN BY SVI/MALAN CHYK/SVERZYL APPR: S/MARCEAU 2006/06/21 2006/06/23	QUALITY SYMBOLS ▽=0 ▽=0	GENERAL TOLERANCES (UNLESS SPECIFIED)		DIMENSION STYLE MM ONLY	SCALE 1:1	DESIGN UNITS METRIC	THIRD ANGLE PROJECTION	
		4 PLACES ± mm ± INCH	3 PLACES ± --- ± ---	DRAWN BY SVI/MALAN DATE 2004/12/20	TITLE 6 CKT. USCAR CONNECTOR SEALED SINGLE ROW ASSEMBLY			
		2 PLACES ± 0.2 ± ---	1 PLACE ± 0.3 ± ---	CHECKED BY R/CARLSON DATE 2004/12/20	MOLEX INCORPORATED			
		ANGULAR ± 3 °		APPROVED BY R/CARLSON DATE 2004/12/21	MATERIAL NO. SD-31404-611 DOCUMENT NO. SD-31404-611 SHEET NO. 1 OF 1			
DRAFT WHERE APPLICABLE MUST REMAIN WITHIN DIMENSIONS		SIZE D		THIS DRAWING CONTAINS INFORMATION THAT IS PROPRIETARY TO MOLEX INCORPORATED AND SHOULD NOT BE USED WITHOUT WRITTEN PERMISSION				