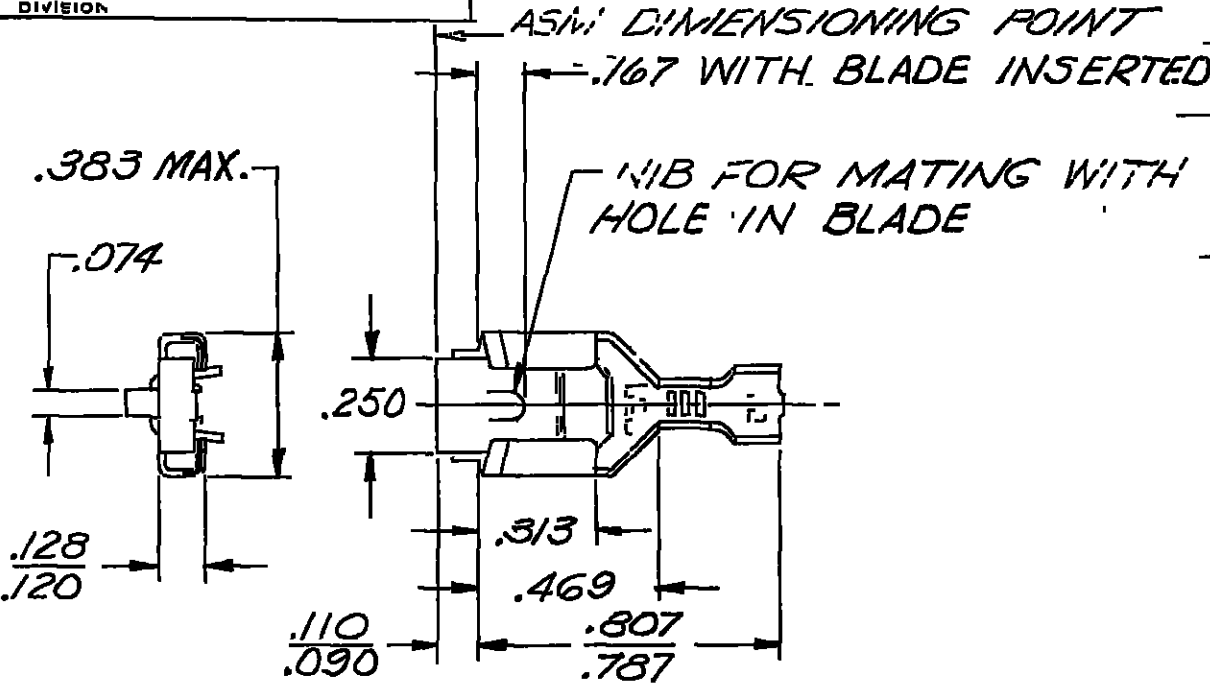


PACKARD ELECTRIC DIVISION
 GENERAL MOTORS CORPORATION
 WARREN, OHIO

DO NOT SCALE
 THIS DRAWING AND DESIGN HEREOF CONSTITUTES A PROPRIETARY DESIGN OF PACKARD ELECTRIC DIVISION AND IS NOT TO BE DUPLICATED OR REPRODUCED WITHOUT AUTHORITY OF PACKARD ELECTRIC DIVISION.

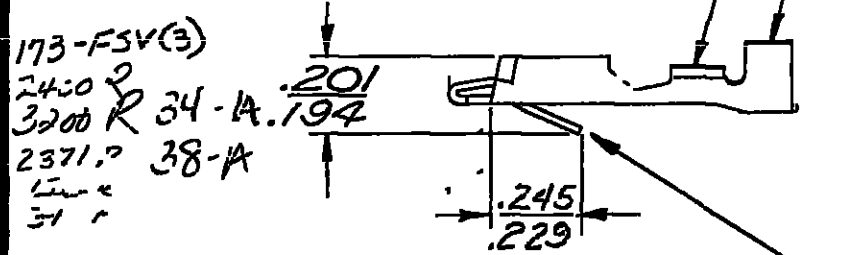
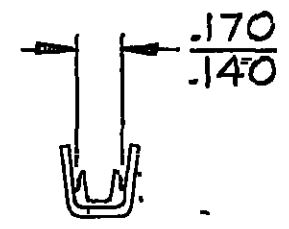
PART NO **2973216** SIZE **A**

DATE	SYST	REVISION RECORD	C/N NO
01NO78		REDRAWN & CABLE	
		REVISED TO METRIC	
		REV LEVEL REMAINS AT "AF"	67567
30MR81		ADDED STAMPED	
		SERRATIONS	70313
01NO81	AH	REVISED	78969



INSULATION WINGS FOR 3.05 MM MAX. INSUL. DIA.

CONDUCTOR WINGS FOR 2.0-1.0 MM² CABLE



OUTLINE DWG.

NOTE — TO FIT .032 X ⁵/₁₆ BLADE.

CODE NO **6900**
 TOLERANCE UNLESS OTHERWISE SPECIFIED
 DECIMAL $\pm .005$
 FRACTIONAL
 ANGULAR $\pm 1^\circ$

DWG DATE **7-7-61** SCALE **NONE** DR **L. SUVERISON**
 ROUTING
 DEPT
 OUTST
 REFERENCE
2962867 "D" - SHT 1

MATERIAL SPEC
.018 THK. SAE CA260 BRASS
1/2 HARD - TIN PLATED

NAME
TERMINAL - FEMALE - '59 SERIES
FOR 2.0-1.0 MM² CABLE

PART NO **2973216** SIZE **A**