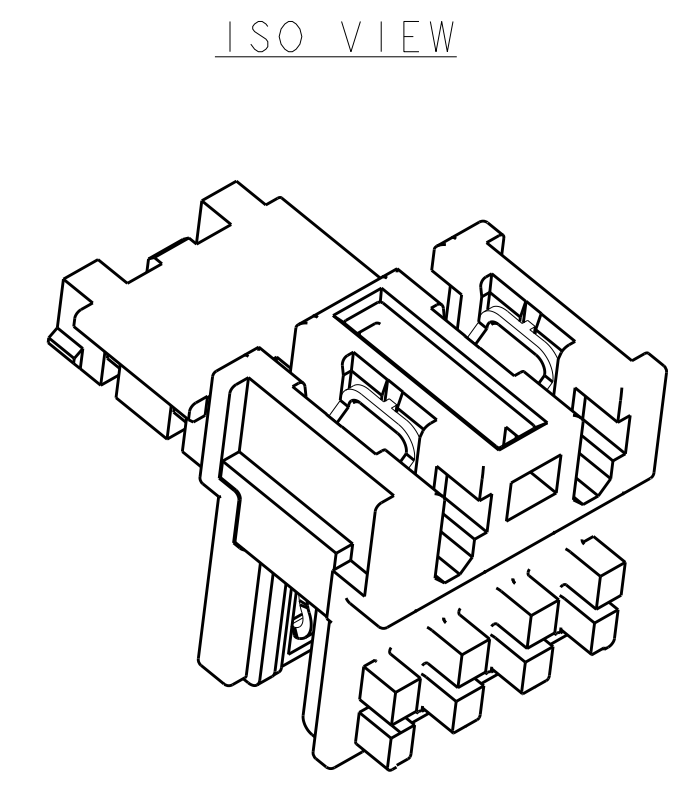
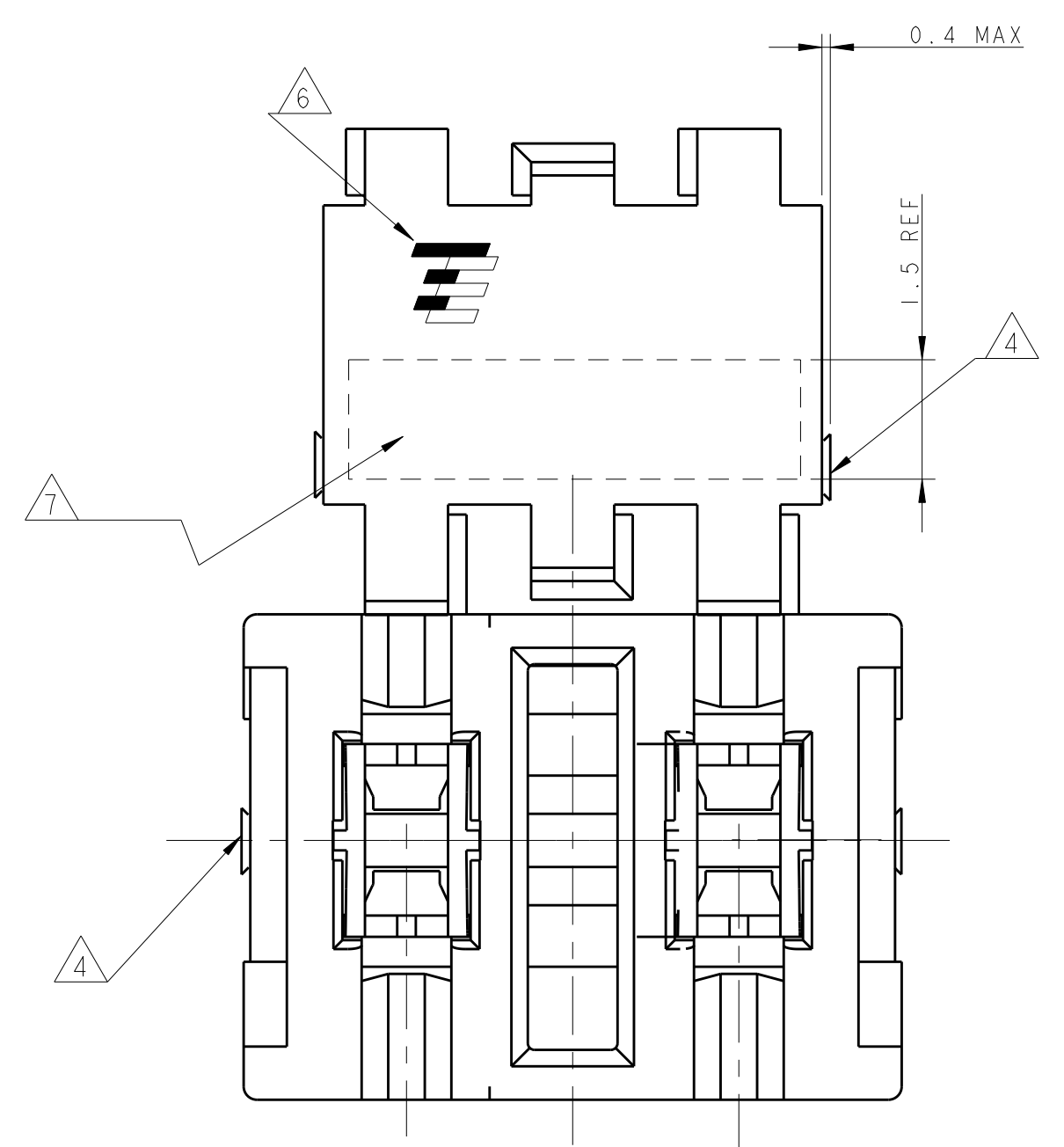
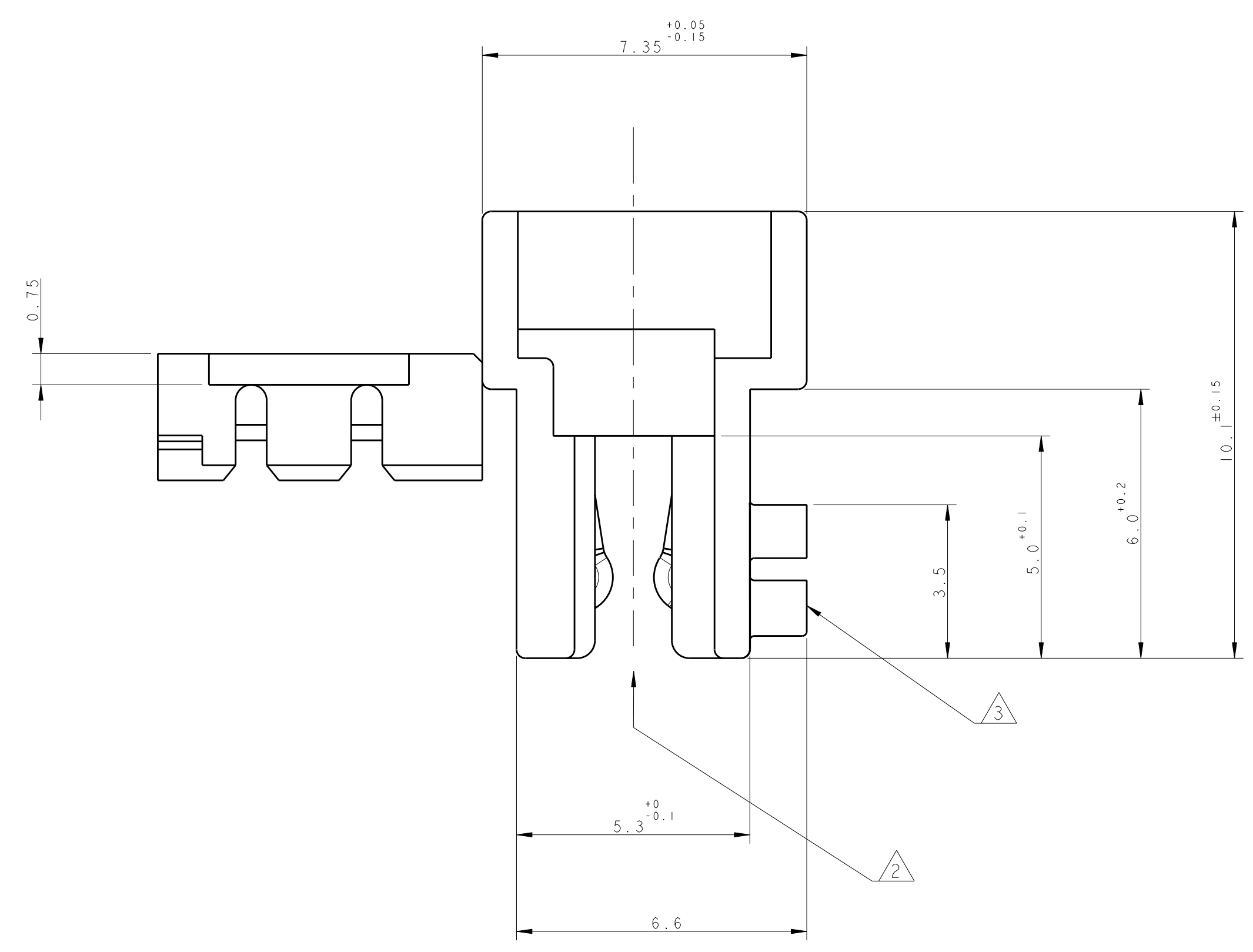
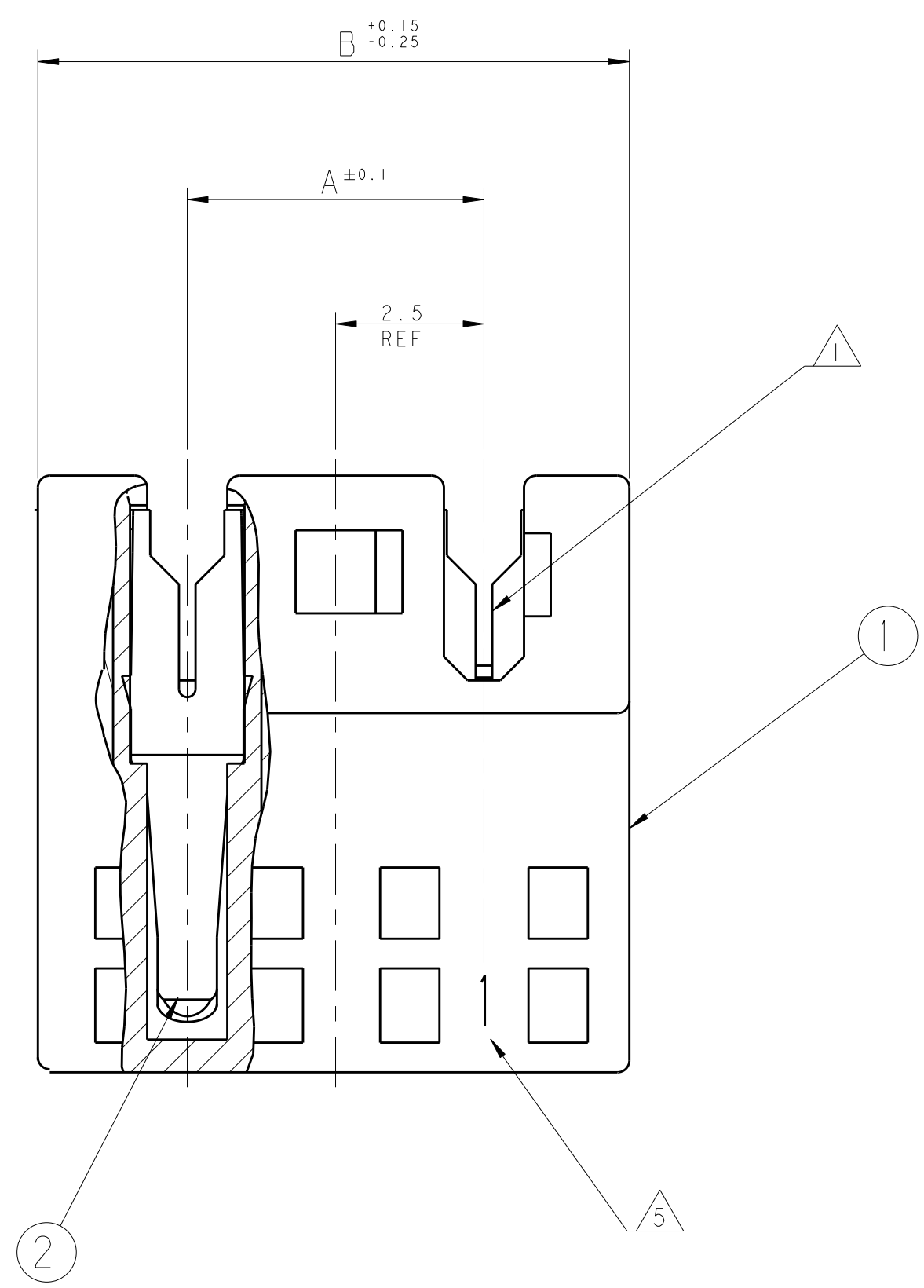


REVISIONS				
P.	LT#	DESCRIPTION	DATE	DWN APVD
B4		REVISED PER ECR-15-012073	13AUG2015	NK WW
B6		ECR-16-016334	18NOV2016	FV RR
B7		ECR-17-009651	19JUL2017	RS DC
B8		REVISED PER ECR-18-017204	21NOV2018	BW DC



- ① WIRE RANGE : STRANDED 0.22-0.35 mm² (INS. DIA. 1.30±0.1)
- ② MATING PART: TAB HEADER P/Ns 1971921 AND EQUIVALENT;
PCB FRAME P/N 964575 (PCB THK 1.5±0.14 COPPER CLADDING INCLUDED)
SEE PRODUCT SPEC. 108-18056 FOR FRAME APPLICATION
- ③ KEYING RIBS TO BE REMOVED BY TERMINATION MACHINE
- ④ CUT OFF DIMENSION DUE TO PRODUCTION PROCESS
- ⑤ CIRCUIT No. IDENTIFICATION
- ⑥ TE TRADEMARK (OPTIONAL POSITION)
- ⑦ TAMPOGRAPHIC COLOUR CODE AREA
(P/Ns IDENTIFICATION BEFORE CRIMPING)
- ⑧ CAVITIES 1 AND 3 LOADED WITH CONTACT
- ⑨ PBT GF
- ⑩ PBT GF, UL94-V0 & GWEPT 750 NO-FLAME, NATURAL

BLUE	3	5.0	9.9	3-284970-3	3-2311509-3
GREEN				2-284970-3	2-2311509-3
BROWN				1-284970-3	1-2311509-3
-				0-284970-3	2311509-3

-				THIS DRAWING IS A CONTROLLED DOCUMENT.		DWN R. FABRIS CHK G. TURCO 17 MAY 05		TE Connectivity	
SEE TABLE	PH. BRONZE, TIN PLATED	IDC RECEPTACLE CONTACT	2	DIMENSIONS: mm	TOLERANCES UNLESS OTHERWISE SPECIFIED:	9 PLC ±0.2 1 PLC ±0.2 5 PLC ±0.2 4 PLC ± ANGLES ±1°		NAME DUOPLUG 2.5 FEMALE CONNECTOR STANDARD VERSION, 2 POS. (HIGHER COVER RETENTION)	
Q.TY	MATERIAL	DESCRIPTION	ITEM	MATERIAL SEE TABLE		FINISH -		PRODUCT SPEC 108-18056 APPLICATION SPEC 114-18049-1 WEIGHT -	
REVISIONE DELL'ASSEMBLATO (REVISION OF EACH ASSY NO.)				ELENCO DEI COMPONENTI (PARTS LIST)		SIZE CAGE CODE DRAWING NO A100779C=284970		RESTRICTED TO CUSTOMER DRAWING SCALE 5:1 SHEET 1 OF 1 REV B8	