

TABLE OF CONTENTS	
SHEET NO.	SHEET DESCRIPTION
1	NOTES AND BOM
2	CONFIGURATIONS
3-4	KEY CONFIGURATIONS
5	BLADE SEALED ASSEMBLY
6	SYSTEM PACKAGING
7	BACKSHELL NOTES
8	BACKSHELL
9	BACKSHELL CONFIGURATIONS

NOTES: VALID UNLESS OTHERWISE SPECIFIED

1. GENERAL:
a. APPLICATION SPECIFICATION SEE: AS-33472-100
-CONTAINS: PRODUCT INTRODUCTION, PRODUCT SUMMARY, CONNECTOR ASSEMBLY, PACKAGING INFORMATION, CONNECTOR MATING, SERVICE INSTRUCTIONS, ELECTRICAL CONTINUITY CHECKING, CRIMPING, AND TROUBLESHOOTING.
-DESIGNED TO MATE WITH RECEPTACLE SEALED ASSEMBLY AS SPECIFIED IN THE MATING CONNECTOR DRAWINGS CHART.
*DENOTES DRAWINGS THAT CAN BE ACCESSED AT <http://ewcap.uscarteams.org/>.
-ASSEMBLY SHIPPED WITH PLR IN PRE-LOCK POSITION (SEE PLR PRE-LOCK VIEW SHEET 5).

b. PRODUCT SPECIFICATION SEE:
-STANDARD CONFIGURATION: PS-33472-000
-UL V0 CONFIGURATION: TBD
CONTAINS: PRODUCT INTRODUCTION, PRODUCT SUMMARY, RATINGS (CURRENT, TEMPERATURE, SEALING, AND FLAMMABILITY), TERMINALS, WIRE DIAMETER RANGE, PRODUCT VALIDATION, AND PRODUCT DEVIATIONS.

c. PACKAGING SPECIFICATION PER MOLEX DRAWING: PK-31300-635

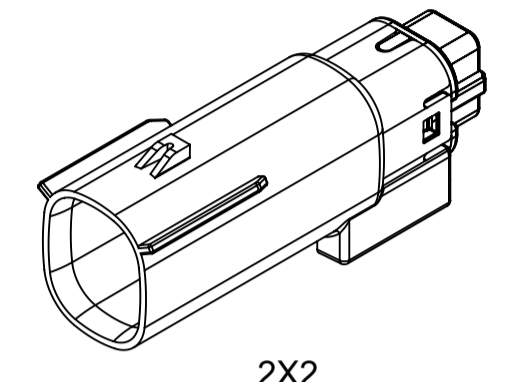
d. PARTS MUST BE IN COMPLIANCE TO MOLEX CHEMICAL SUBSTANCES FOR PRODUCTS AND PACKAGING SPECIFICATION: QEHS-699000-300

e. DATA MUST BE SUBMITTED UNDER THE MOLEX PART NUMBER TO IMDS (COMPANY ID#13255)

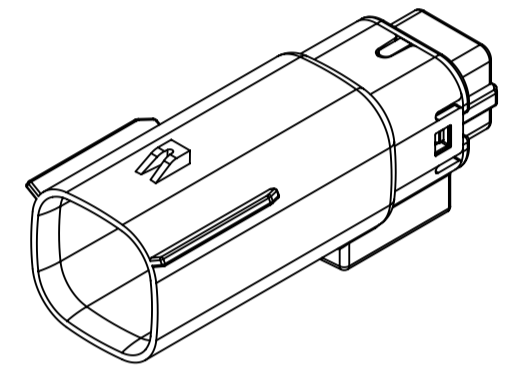
2. DESIGN - MATERIALS:
a. FOR BILL OF MATERIALS SEE:
-STANDARD CONFIGURATION: SD-33482-0002
-UL V0 CONFIGURATION: SD-160084-0002

3. DESIGN - GEOMETRY:
a. THE 3-D CAD DATA IS BASIC (WITHOUT TOLERANCE) AND MASTER FOR THIS PART WITH THE EXCEPTION OF UNDERLINED DIMENSIONS. DIMENSIONAL INFORMATION NOT SHOWN ON THIS DRAWING IS DEFINED BY THE DATA FILE AT ITS LATEST REVISION.
b. GEOMETRIC DIMENSIONS AND TOLERANCES PER ASME Y14.5M-2009
c. EDGES AND UNDIMENSIONED DETAILS PER ISO13715
d. CORNERS SHOWN AS SHARP TO BE R 0.2 MAX.
e. LETTERING SHALL BE 0.15 MAX RAISED IN 0.25 MAX RECESS PAD. THIS INCLUDES RECYCLING CODE, CAVITY ID, VENDOR IDENTIFICATION, AND CUSTOMER MATERIAL NUMBER.
f. VISUAL DEFECTS SHALL MEET COSMETIC STANDARD PS-45499-002 (Class B).
g. LASER MARKING:
1. PART NUMBER
2. DAY OF THE YEAR
3. SHIFT
4. YEAR
FOR ADDITIONAL INFORMATION SEE SECTION 5 UNDER PROCEDURES IN ES-34735-008.

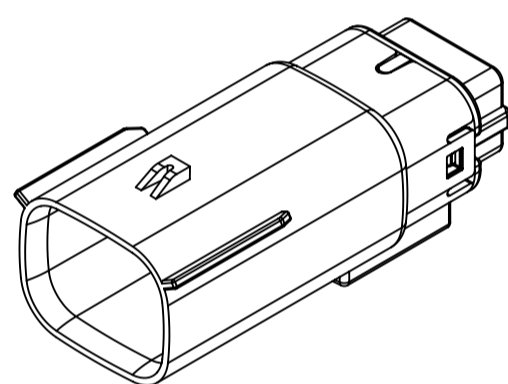
MATING CONNECTOR DRAWINGS	
DESCRIPTION	MOLEX INLINE
2X2	SD-33472-0001
2X3	SD-33472-0001
2X4	SD-33472-0001
2X6	SD-33472-0001
2X8	SD-33472-0001
2X10	SD-33472-0001



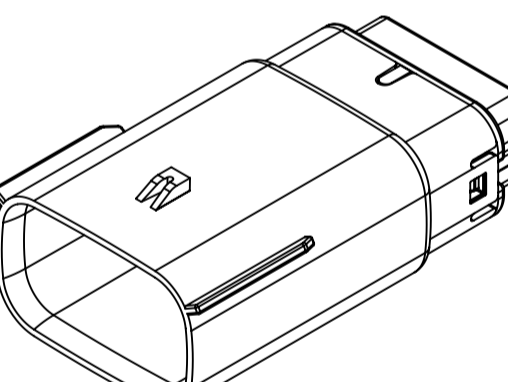
2X2



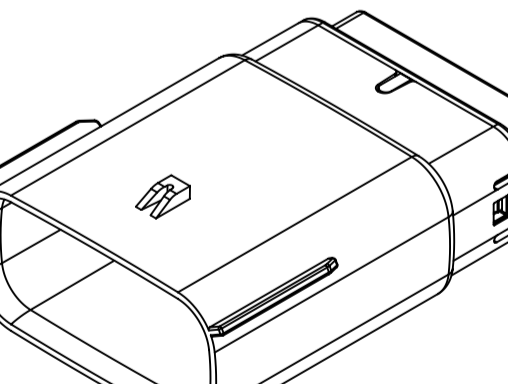
2X3



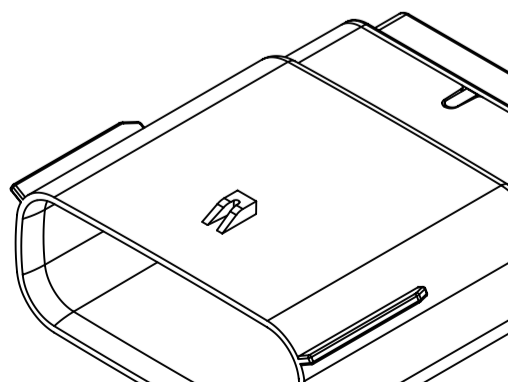
2X4



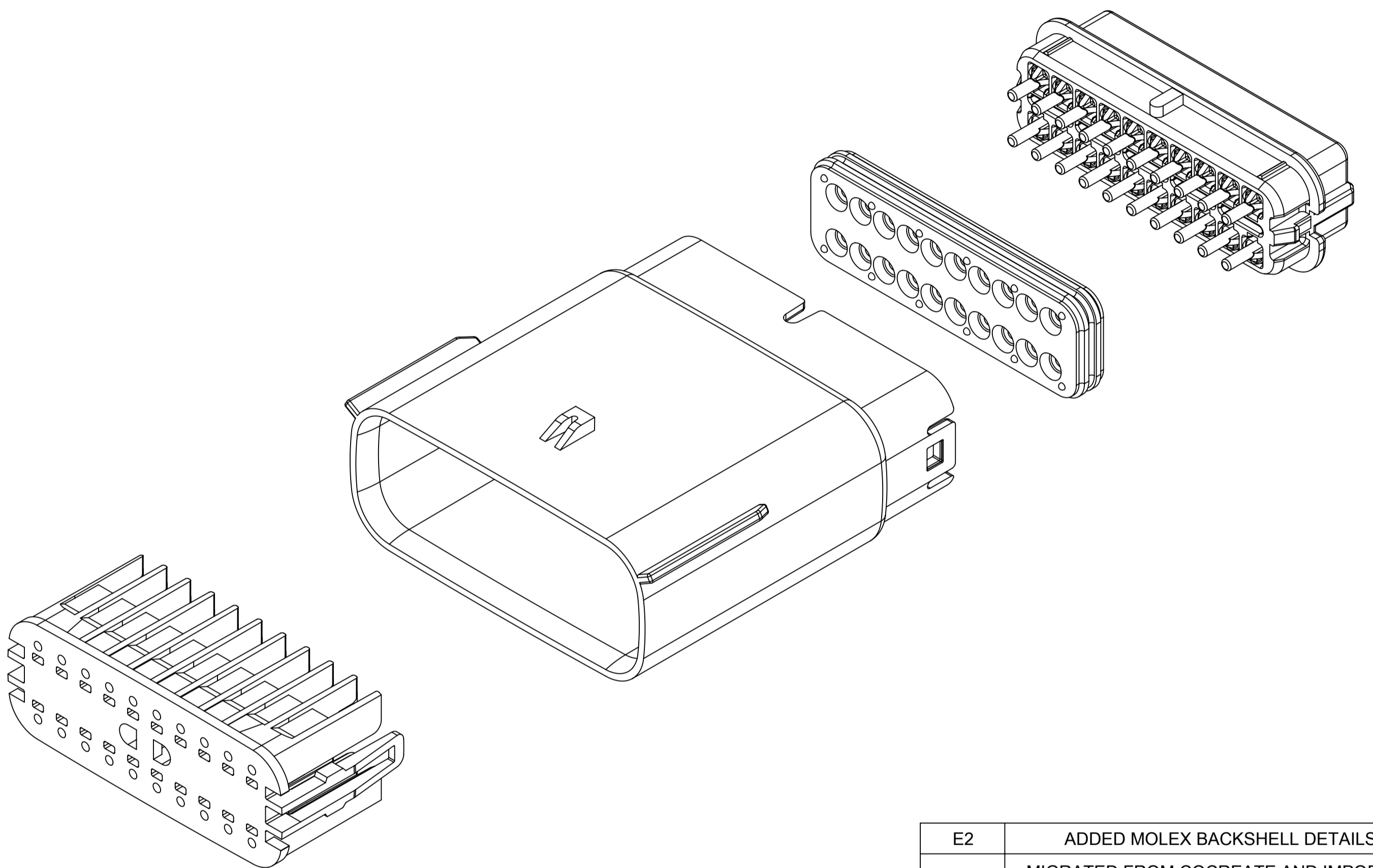
2X6



2X8



2X10

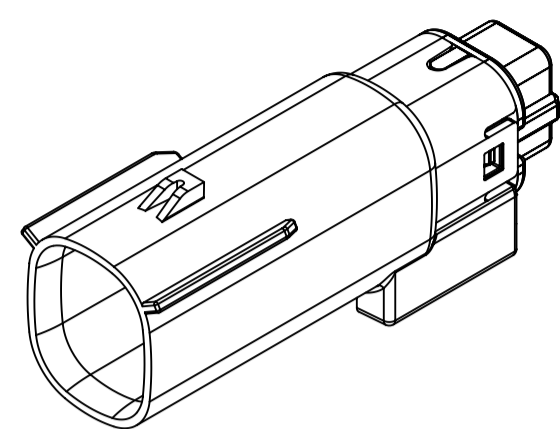


INSPECTION NUMBER LOG	
LAST NUMBER:	9
ADDED:	
REMOVED:	

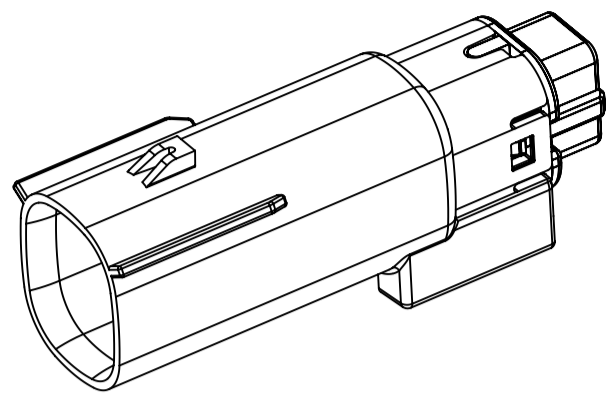
E2	ADDED MOLEX BACKSHELL DETAILS
E1	MIGRATED FROM COCREATE AND IMPORTED DXF FILES
E	ADDED CHARTED DIMENSIONS FOR 2X2, 2X4, 2X6 AND 2X8 WITH CLIPSLLOT
D	MINOR GEOMETRY CHANGE FOR UL V0
C3	ADD 2X4
C2	ADD 2X3
C1	ADD UL V0 CONFIGURATIONS
C	ADD 2X8
B1	ADD 2X6 BACKSHELL INFO
B	ADD 2X6
A	INITIAL RELEASE
REV	REV DESCRIPTION

SYMBOLS = 0 mm = 0 GENERAL TOLERANCES (UNLESS SPECIFIED) = 0 ANGULAR TOL ± 1.0° = 0 4 PLACES ± = 0 3 PLACES ± = 0 2 PLACES ± 0.1 = 0 1 PLACE ± 0.2 = 0 0 PLACES ± = 0 DRAFT WHERE APPLICABLE MUST REMAIN WITHIN DIMENSIONS	THIS DRAWING CONTAINS INFORMATION THAT IS PROPRIETARY TO MOLEX ELECTRONIC TECHNOLOGIES, LLC AND SHOULD NOT BE USED WITHOUT WRITTEN PERMISSION		SCALE 1.5:1		CURRENT REV DESC: EC NO: 171650 DRWN: PMANJUNATHAC 2018/01/03 CHK'D: MVANSLAMBROU 2018/02/16 APPR: MVANSLAMBROU 2018/02/16			
	GENERAL TOLERANCES (UNLESS SPECIFIED)		INITIAL REVISION: DRWN: APROFFITT 2014/04/28 APPR: VKOSHY 2014/05/14		DOCUMENT NUMBER SD-33482-0001			
	PRODUCT CUSTOMER DRAWING		MATERIAL NUMBER 33482		CUSTOMER GENERAL MARKET		SHEET NUMBER 1 OF 11	
	DRAFT WHERE APPLICABLE MUST REMAIN WITHIN DIMENSIONS		THIRD ANGLE PROJECTION		DRAWING A1-SIZE		SERIES 33482	

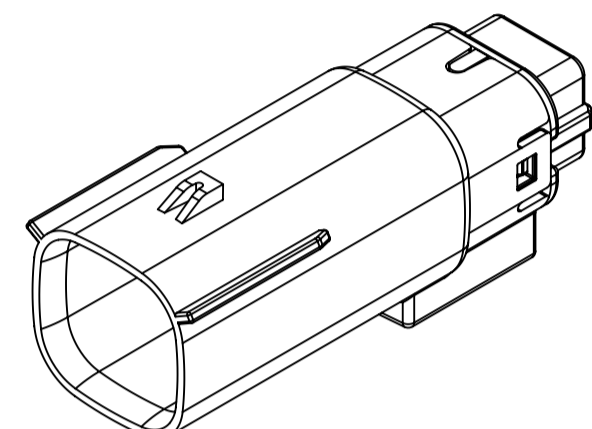
SHEET DESCRIPTION
CONFIGURATIONS



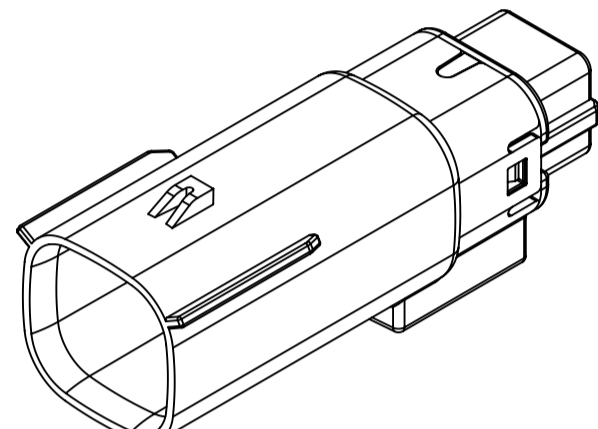
2X2 - STANDARD (STD)



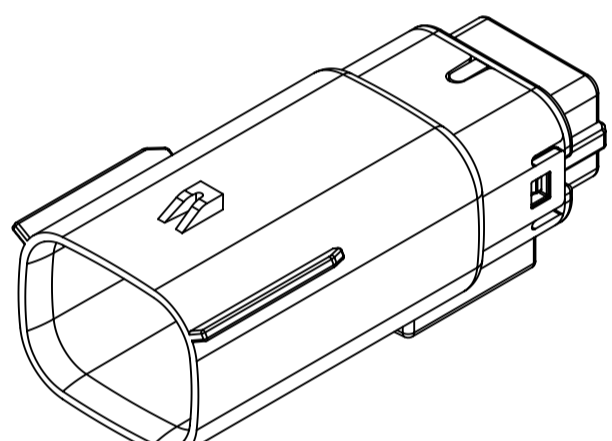
2X2 - UL V0*



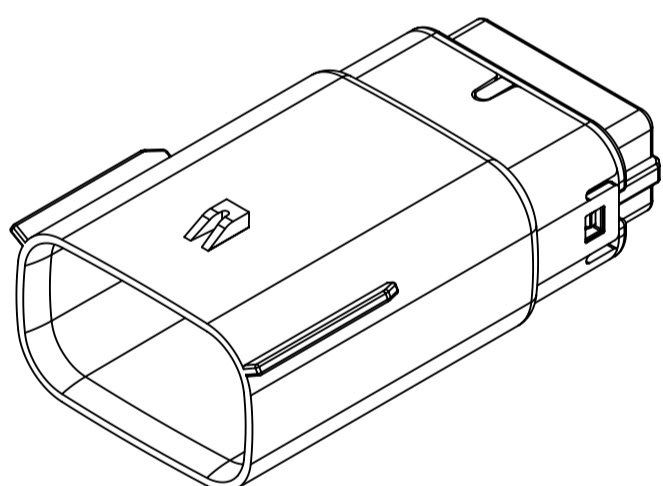
2X3 - STANDARD (STD)



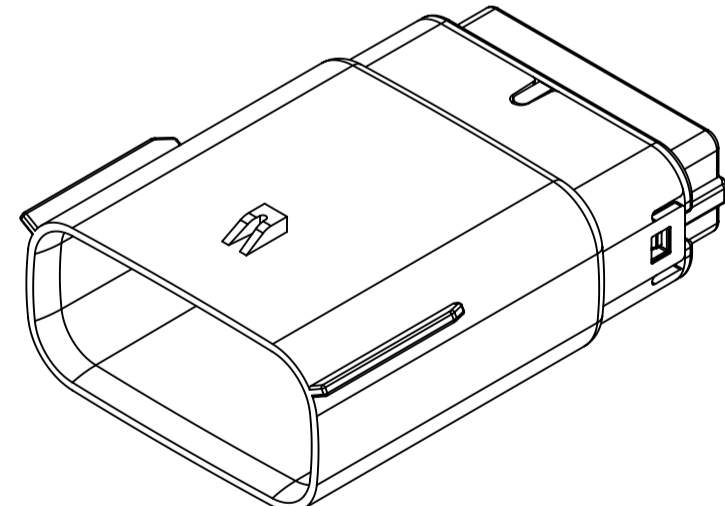
2X3 - LENGTHENED



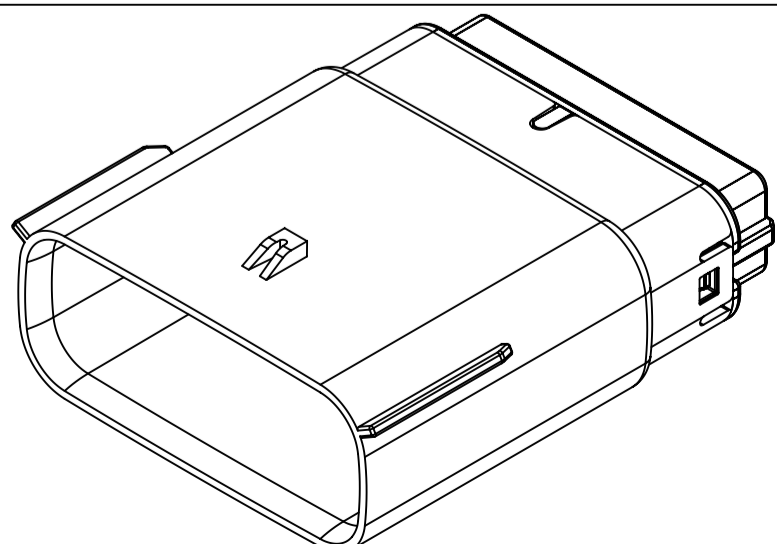
2X4 - STANDARD (STD)



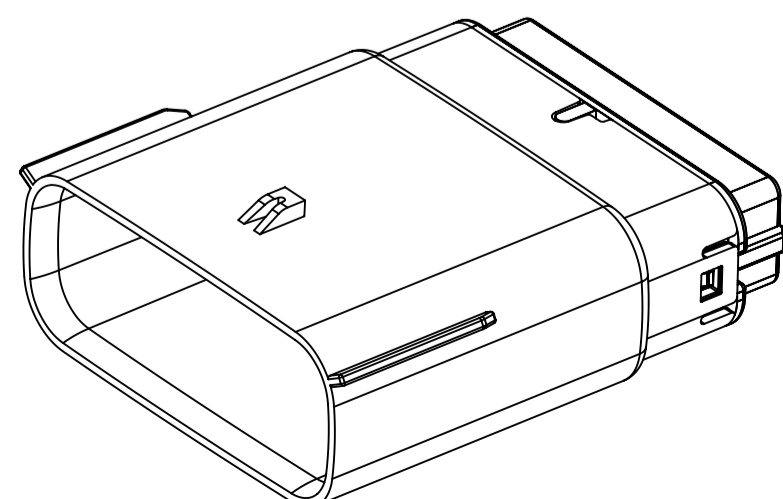
2X6 - STANDARD (STD)



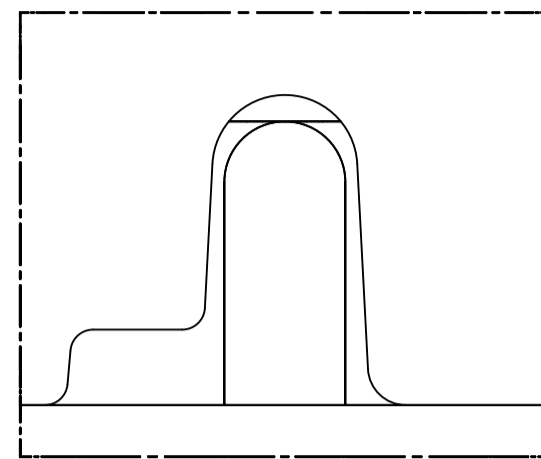
2X8 - STANDARD (STD)



2X10 - STANDARD (STD)



2X10 - UL V0*



UL V0 UNIQUE FEATURE

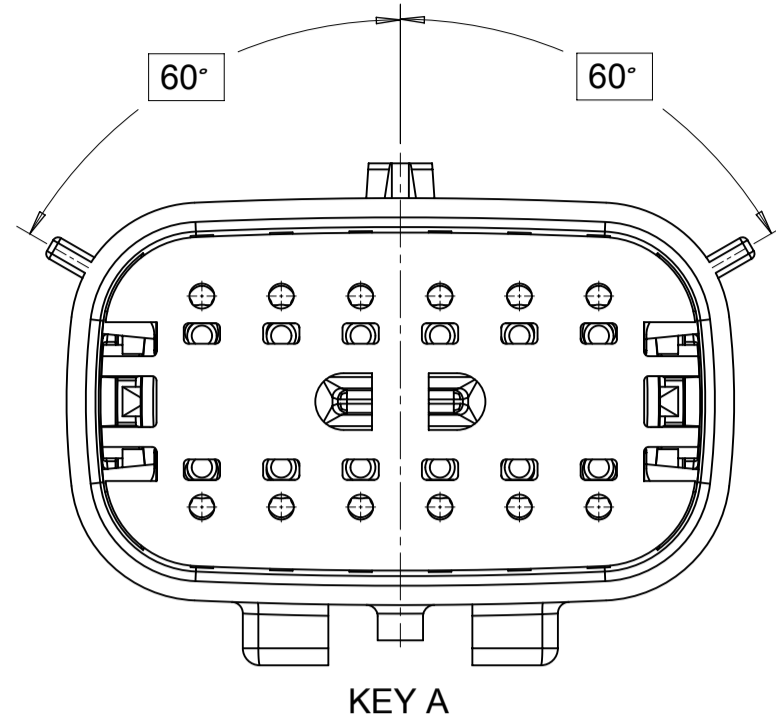
Partial1
SCALE 10:1

* MINOR GEOMETRY CHANGE THAN STANDARD CONFIGURATION.
SEE NOTE 2a FOR MORE INFORMATION

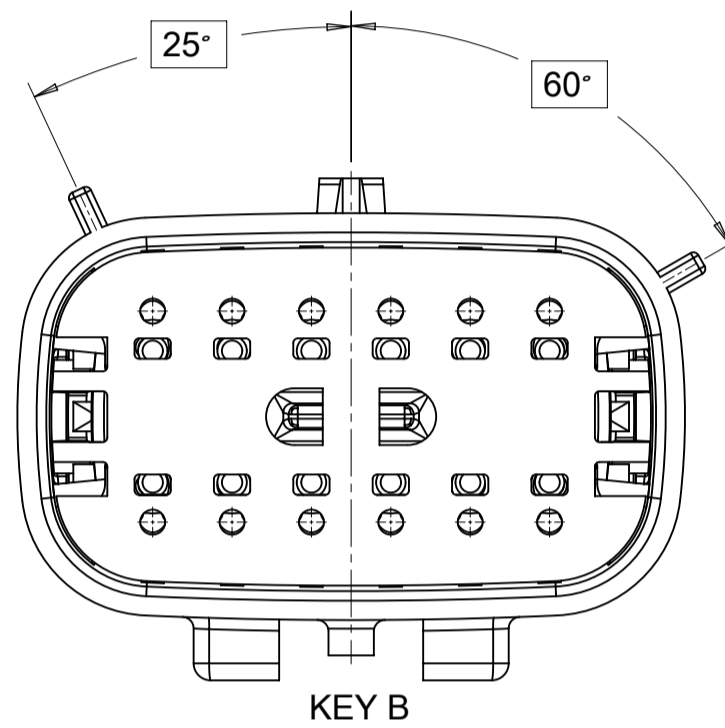
SYMBOLS	THIS DRAWING CONTAINS INFORMATION THAT IS PROPRIETARY TO MOLEX ELECTRONIC TECHNOLOGIES, LLC AND SHOULD NOT BE USED WITHOUT WRITTEN PERMISSION		CURRENT REV DESC:		molex
	DIMENSION UNITS	SCALE			
▽ = 0	mm	1.5:1	EC NO: 171650		MX150 BLADE DUAL ROW SEALED ASSEMBLY MAT SEAL
▽ = 0	GENERAL TOLERANCES (UNLESS SPECIFIED)		DRWN: PMANJUNATHAC 2018/01/03		
▽ = 0	ANGULAR TOL ± 1.0°		CHK'D: MVANSLAMBROU 2018/02/16		
▽ = 0	4 PLACES ±		APPR: MVANSLAMBROU 2018/02/16		
▽ = 0	3 PLACES ±		INITIAL REVISION:		
▽ = 0	2 PLACES ± 0.1		DRWN: APROFFITT 2014/04/28		
▽ = 0	1 PLACE ± 0.2		APPR: VKOSHY 2014/05/14		
▽ = 0	0 PLACES ±		THIRD ANGLE PROJECTION		
▽ = 0	DRAFT WHERE APPLICABLE MUST REMAIN WITHIN DIMENSIONS		DRAWING	SERIES	DOCUMENT NUMBER
			A1-SIZE	33482	SD-33482-0001
					DOC TYPE DOC PART REVISION
					PSD 001 E2
					PRODUCT CUSTOMER DRAWING
					MATERIAL NUMBER CUSTOMER SHEET NUMBER
					GENERAL MARKET 2 OF 11

SHEET DESCRIPTION
KEY CONFIGURATIONS CONT.

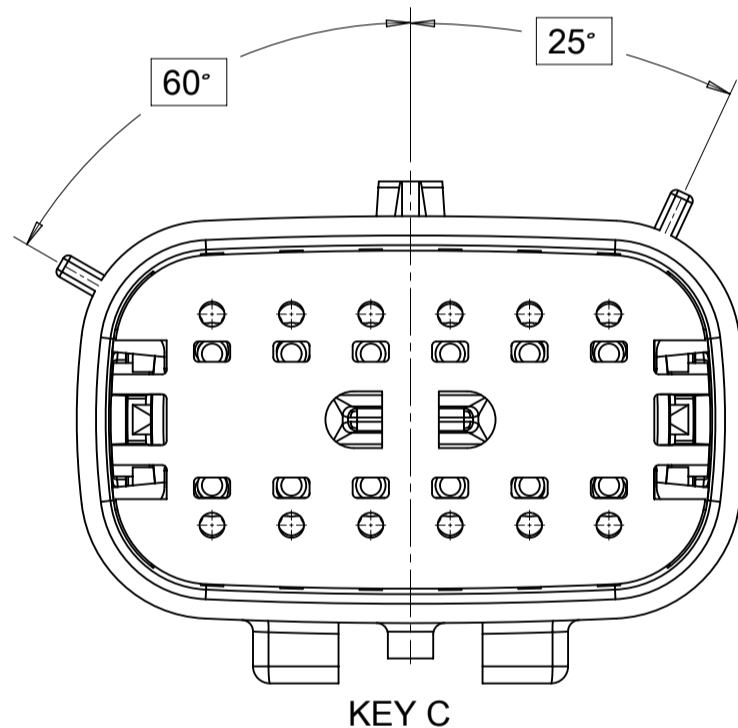
2X6



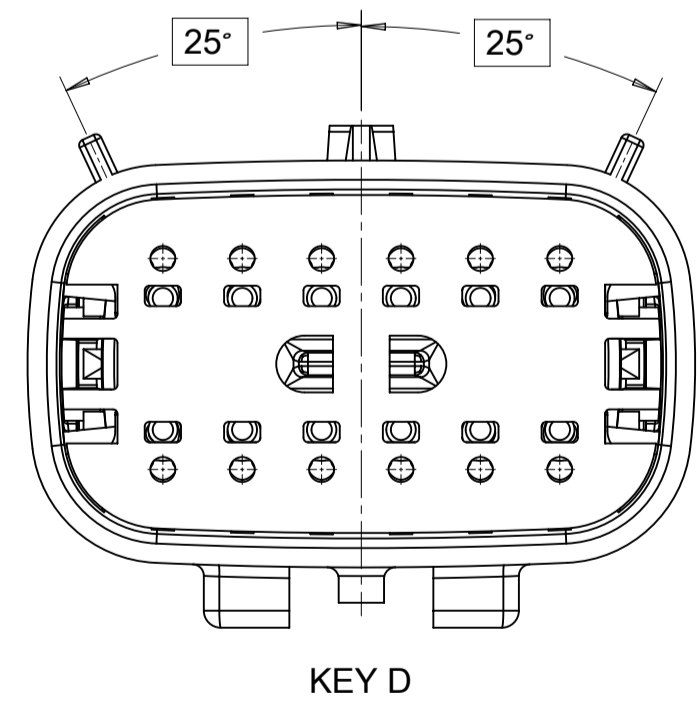
KEY A



KEY B

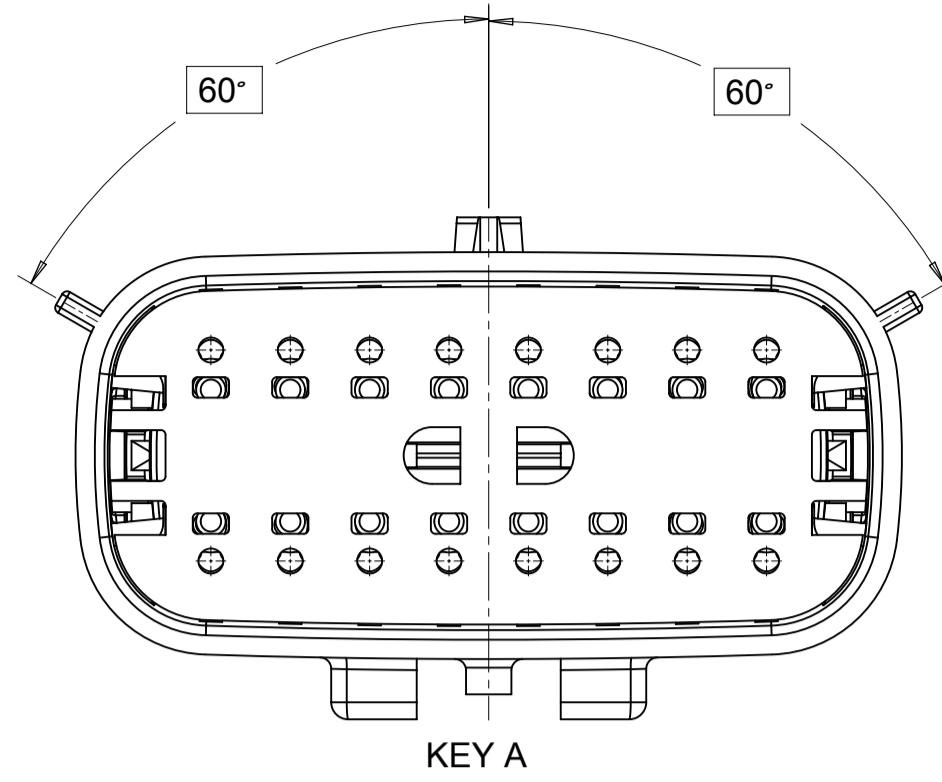


KEY C

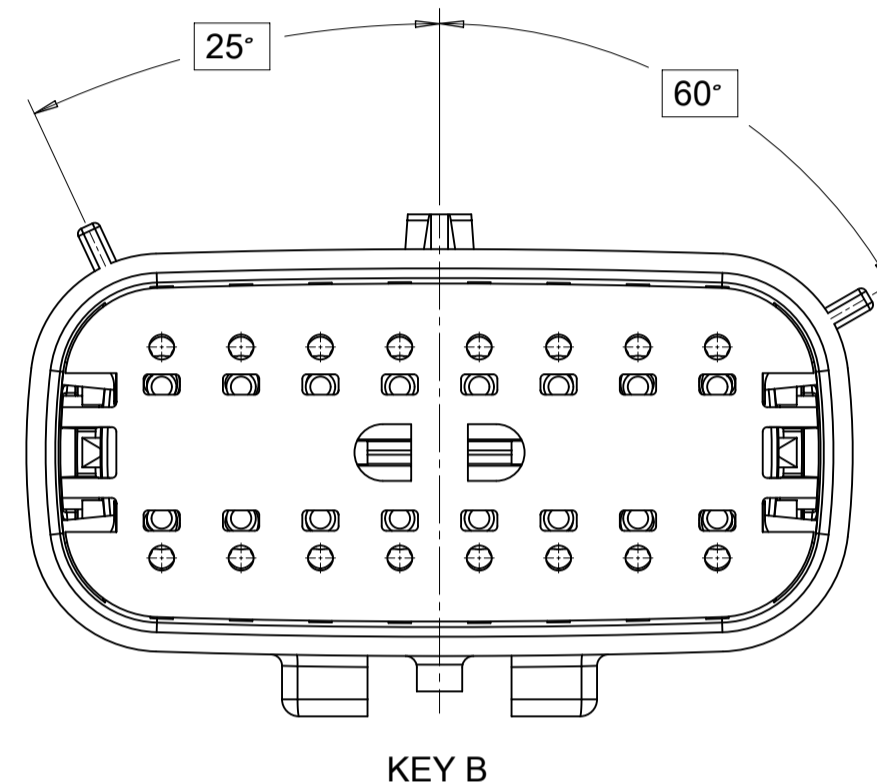


KEY D

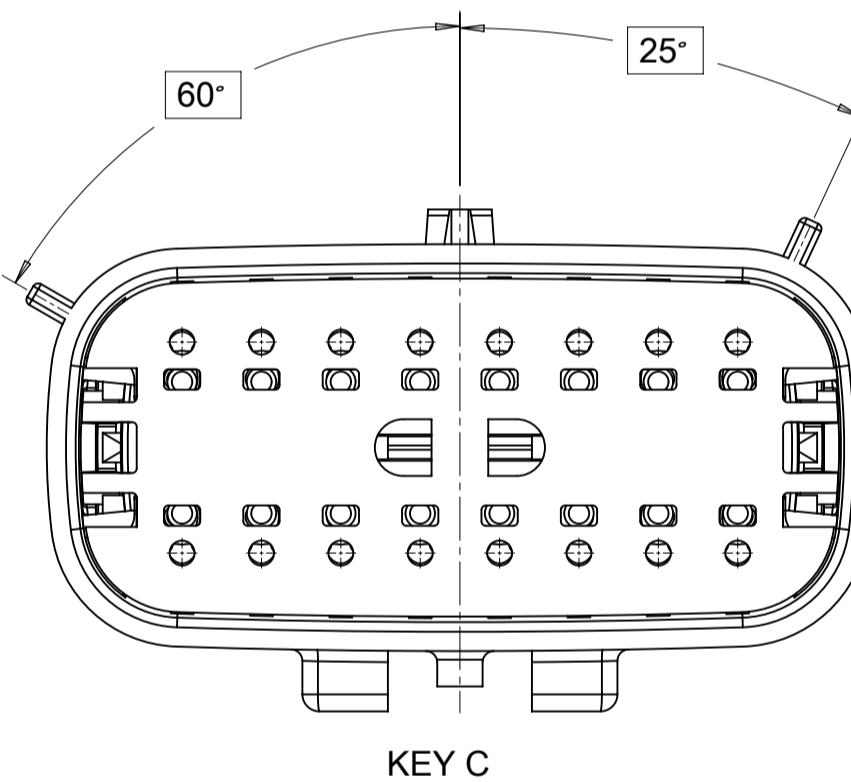
2X8



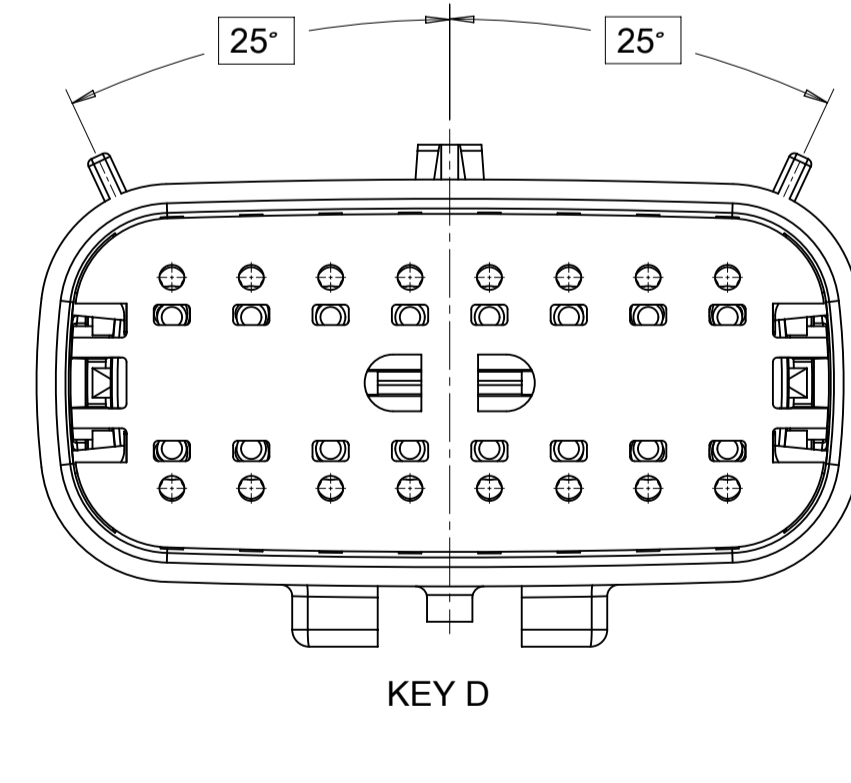
KEY A



KEY B

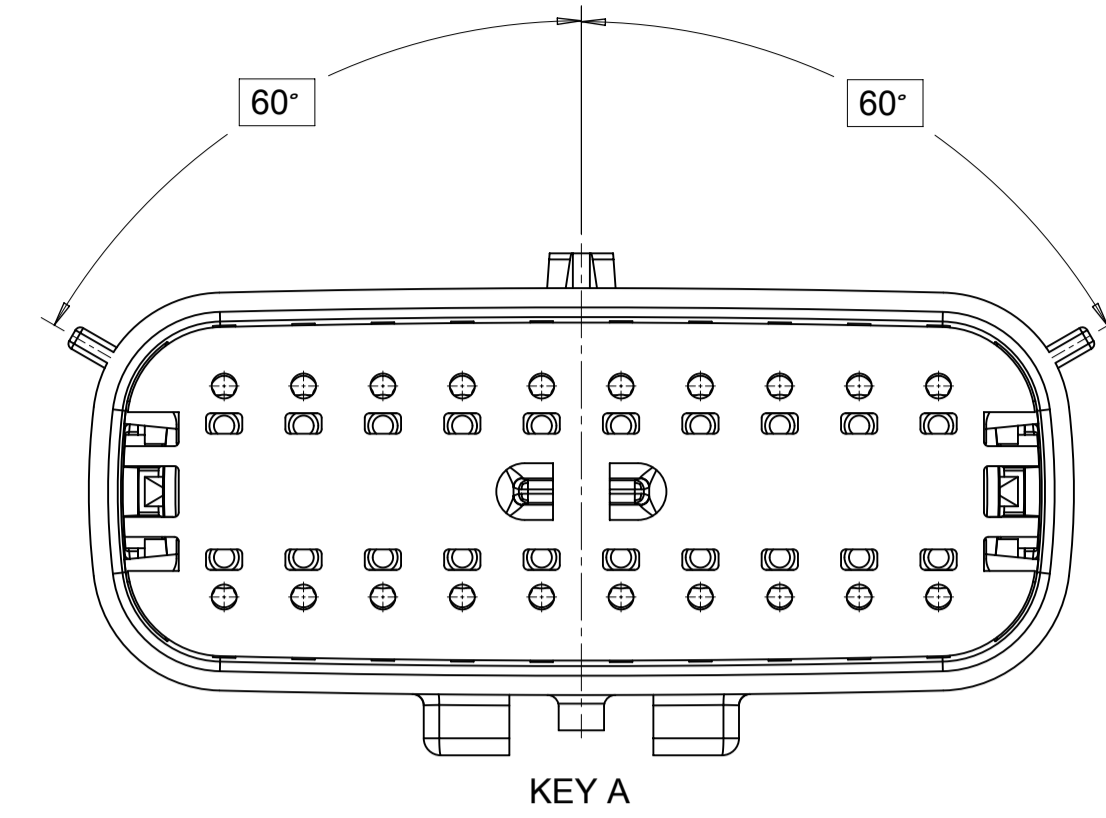


KEY C

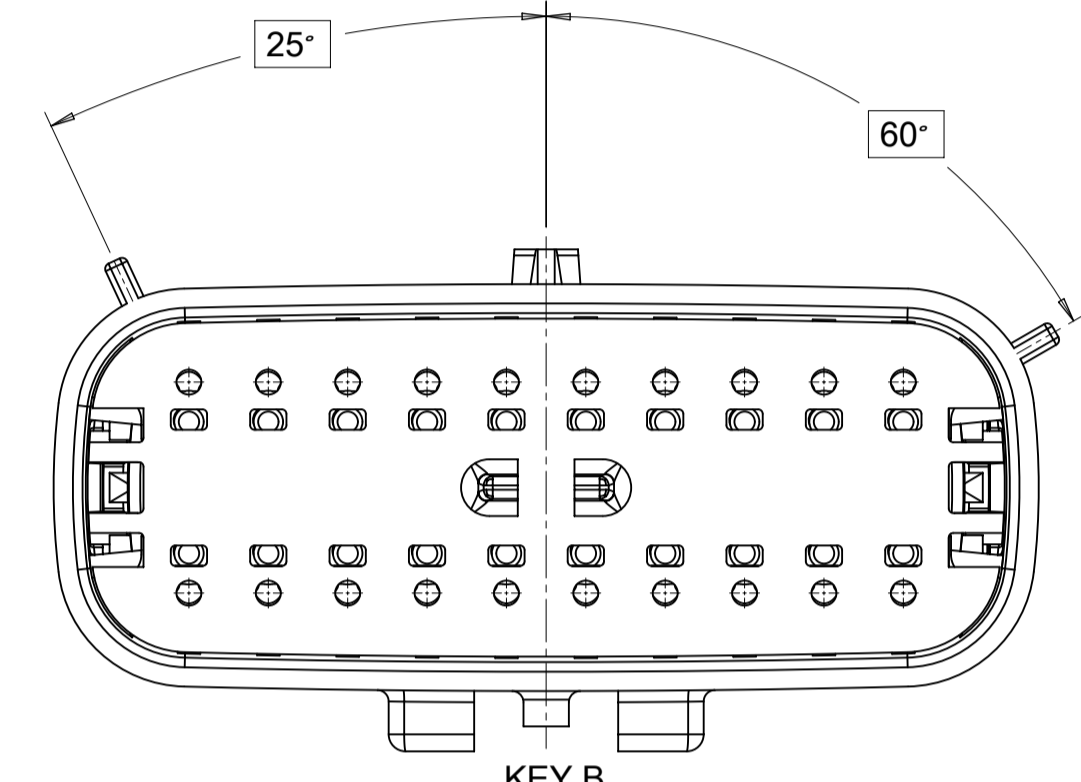


KEY D

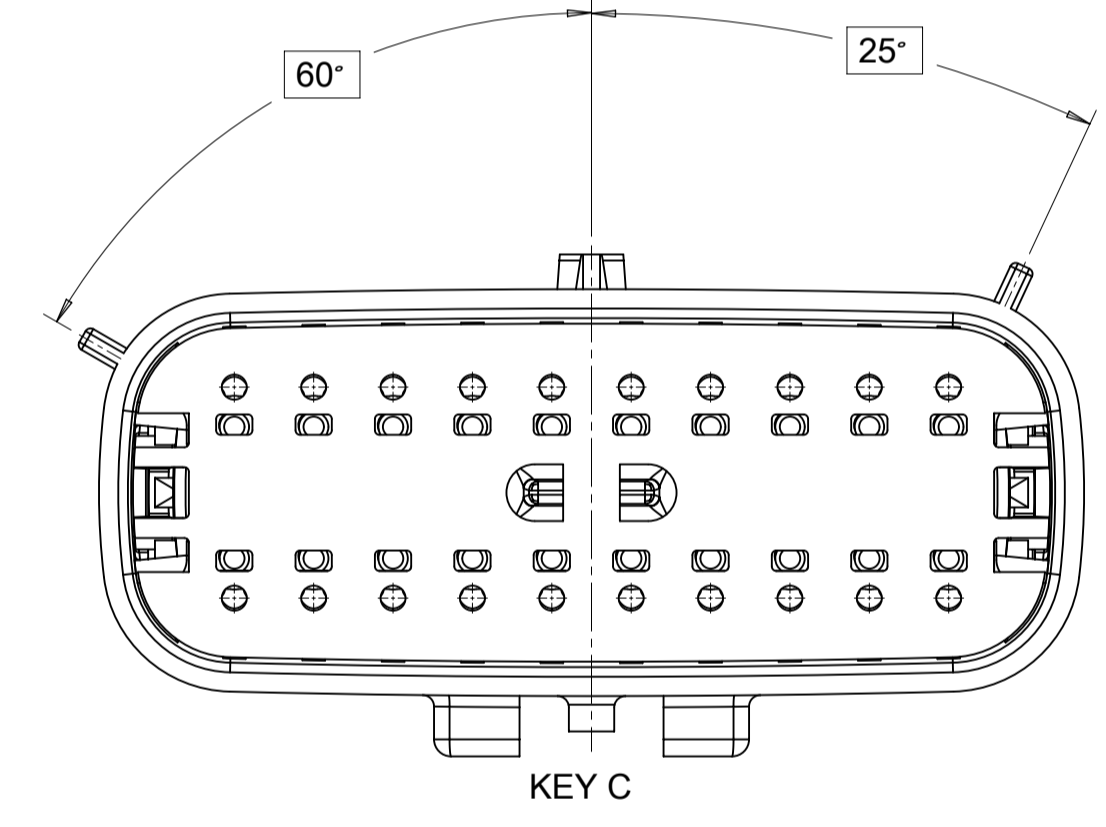
2X10



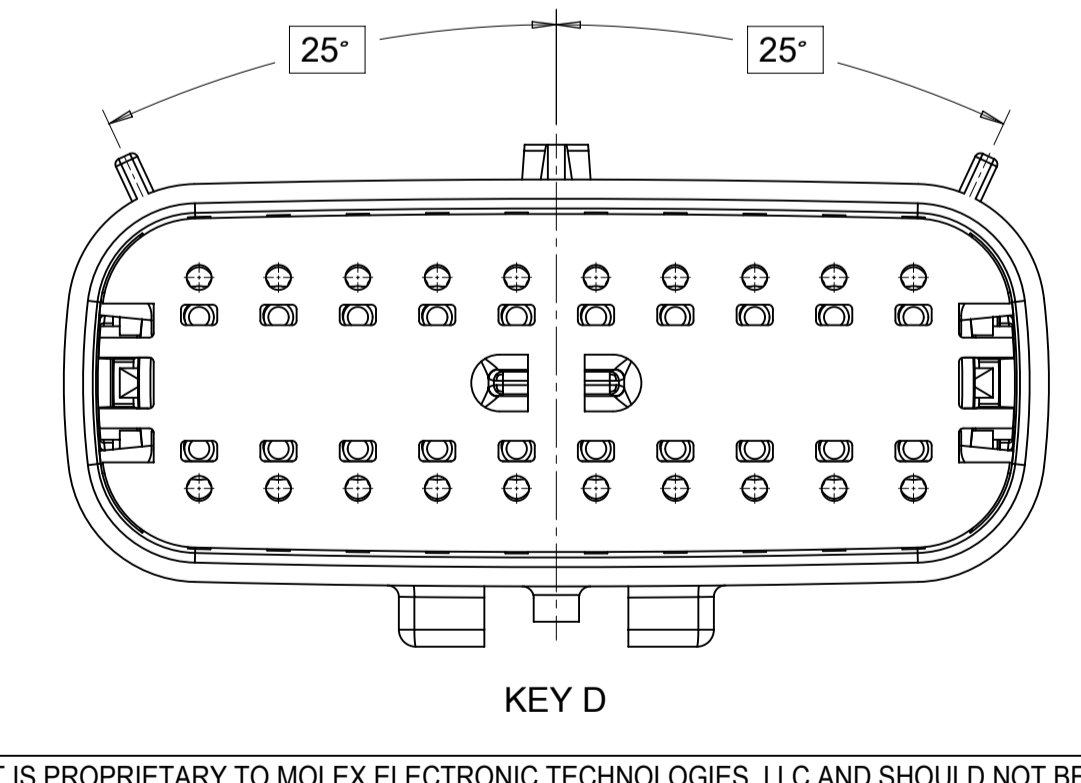
KEY A



KEY B



KEY C

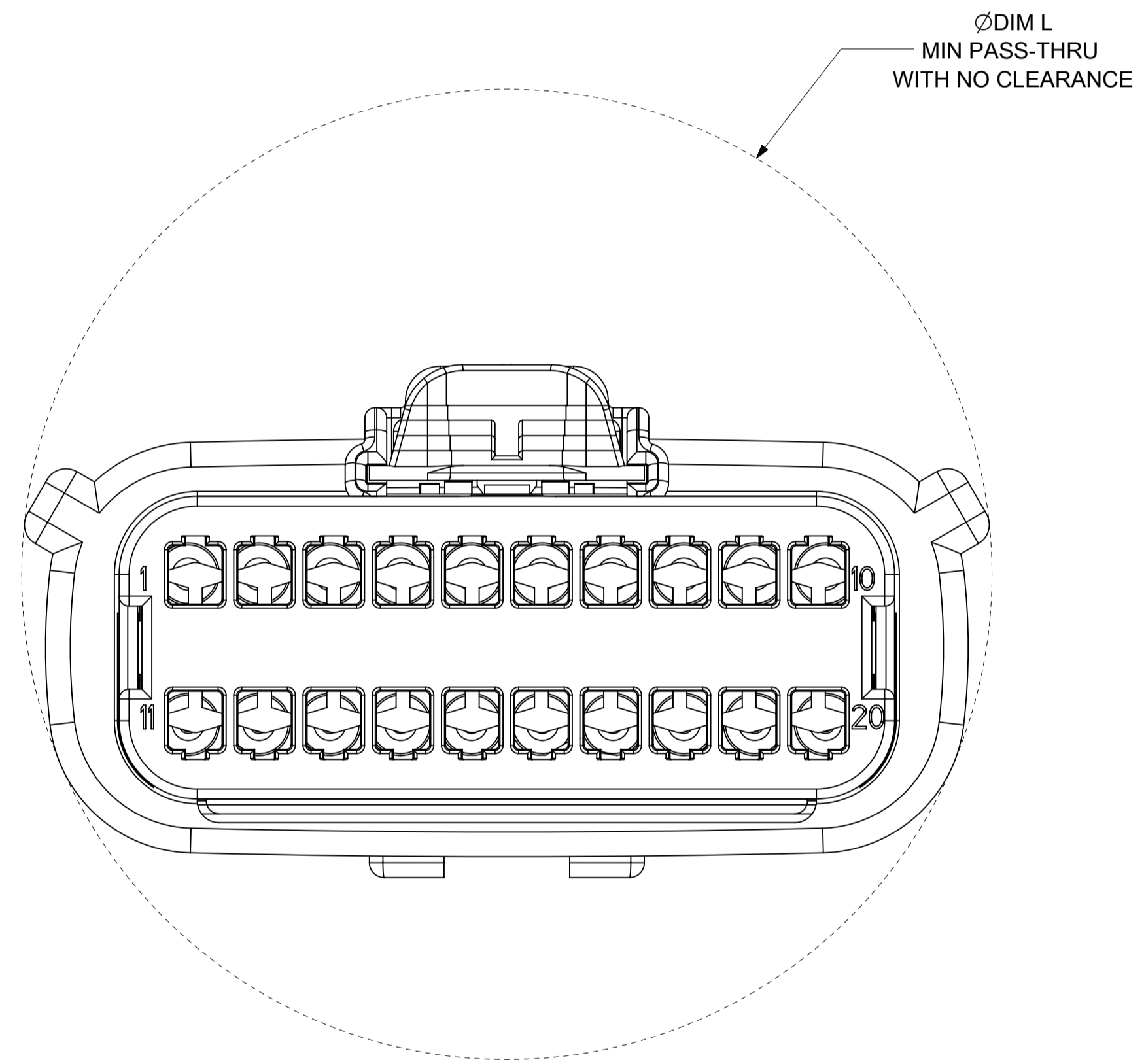
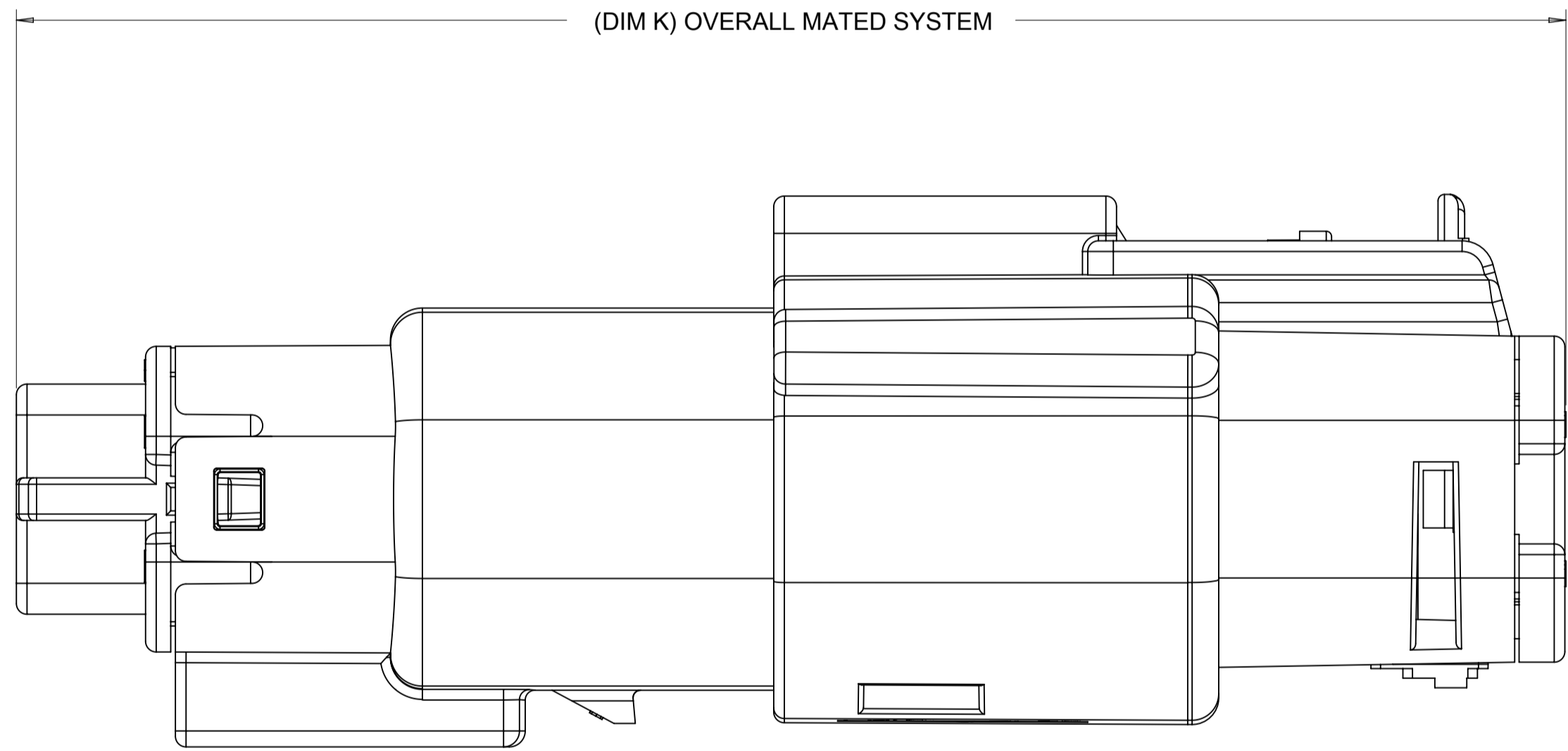


KEY D

SYMBOLS = 0 = 0 = 0 = 0 = 0 = 0 = 0 = 0 = 0 = 0	THIS DRAWING CONTAINS INFORMATION THAT IS PROPRIETARY TO MOLEX ELECTRONIC TECHNOLOGIES, LLC AND SHOULD NOT BE USED WITHOUT WRITTEN PERMISSION DIMENSION UNITS: mm SCALE: 3:1	CURRENT REV DESC: EC NO: 171650 DRWN: PMANJUNATHAC 2018/01/03 CHK'D: MVANSLAMBROU 2018/02/16 APPR: MVANSLAMBROU 2018/02/16	 MX150 BLADE DUAL ROW SEALED ASSEMBLY MAT SEAL
	GENERAL TOLERANCES (UNLESS SPECIFIED) ANGULAR TOL ± 1.0° 4 PLACES ± 3 PLACES ± 2 PLACES ± 0.1 1 PLACE ± 0.2 0 PLACES ±	INITIAL REVISION: DRWN: APROFFITT 2014/04/28 APPR: VKOSHY 2014/05/14	
DRAFT WHERE APPLICABLE MUST REMAIN WITHIN DIMENSIONS	THIRD ANGLE PROJECTION 	DRAWING: A1-SIZE SERIES: 33482	MATERIAL NUMBER: GENERAL MARKET CUSTOMER: GENERAL MARKET SHEET NUMBER: 4 OF 11

SHEET DESCRIPTION
SYSTEM PACKAGING

CKT	BLADE CONFIGURATION	RECEPTACLE CONFIGURATION	DIMENSIONS	
			K	L
			2X2	STANDARD
		W/ CLIPSLOT	72.78	28.50
		LENGTHENED	77.21	28.00
2X3	STANDARD	W/O CLIPSLOT	72.78	28.00
		W/ CLIPSLOT		30.50
	LENGTHENED	W/O CLIPSLOT	74.79	28.00
		W/ CLIPSLOT		30.50
2X4	STANDARD	W/O CLIPSLOT	72.78	29.50
		W/ CLIPSLOT		31.50
2X6	STANDARD	W/O CLIPSLOT	72.79	35.58
		W/ CLIPSLOT		
2X8	STANDARD	W/O CLIPSLOT	72.67	42.25
		W/ CLIPSLOT		
2X10	STANDARD	STANDARD	72.78	49.05

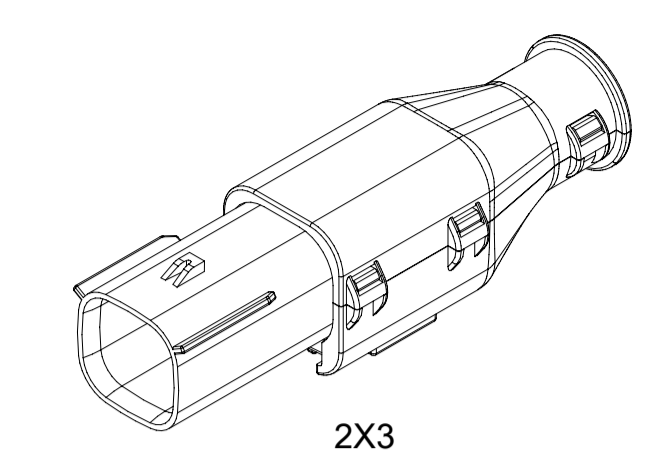


SYMBOLS ▽ = 0 ▽ = 0 ▽ = 0 ▽ = 0 ▽ = 0 ▽ = 0 ▽ = 0 ▽ = 0 ▽ = 0 ▽ = 0	THIS DRAWING CONTAINS INFORMATION THAT IS PROPRIETARY TO MOLEX ELECTRONIC TECHNOLOGIES, LLC AND SHOULD NOT BE USED WITHOUT WRITTEN PERMISSION	DIMENSION UNITS	SCALE	CURRENT REV DESC:						
	mm	4:1	EC NO: 171650 DRWN: PMANJUNATHAC 2018/01/03 CHK'D: MVANSLAMBROU 2018/02/16 APPR: MVANSLAMBROU 2018/02/16							
	GENERAL TOLERANCES (UNLESS SPECIFIED)				INITIAL REVISION:			DOCUMENT NUMBER		
	ANGULAR TOL ± 1.0°				DRWN: APROFFITT 2014/04/28			SD-33482-0001		
	4 PLACES ±				APPR: VKOSHY 2014/05/14			DOC TYPE DOC PART REVISION		
	3 PLACES ±				DRAFT WHERE APPLICABLE MUST REMAIN WITHIN DIMENSIONS			PSD 001 E2		
	2 PLACES ± 0.1				THIRD ANGLE PROJECTION			MATERIAL NUMBER		
	1 PLACE ± 0.2				DRAWING			CUSTOMER		
	0 PLACES ±				A1-SIZE			GENERAL MARKET		
	0 PLACES ±				SERIES			SHEET NUMBER		
				33482			6 OF 11			

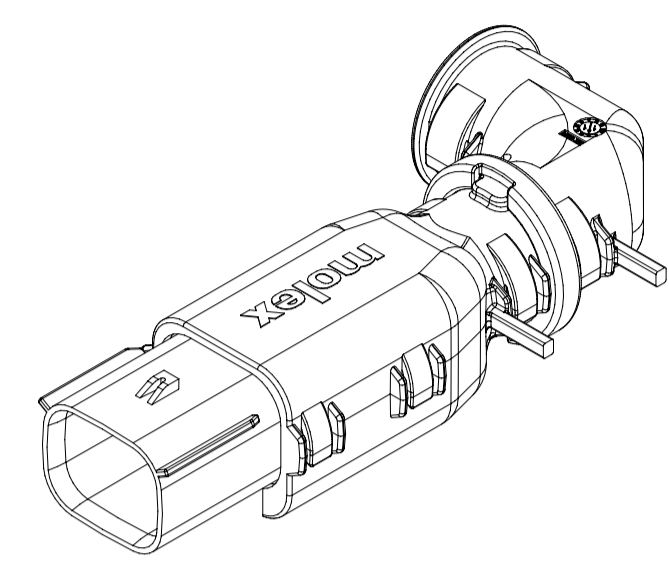
SHEET DESCRIPTION
BACKSHELL NOTES

BACKSHELL NOTES: VALID UNLESS OTHERWISE SPECIFIED

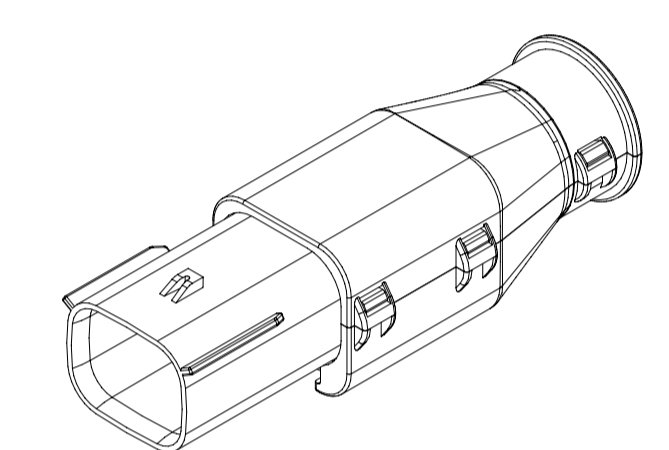
1. GENERAL:
a. APPLICATION SPECIFICATION SEE: AS-34951-001
-DESIGNED TO MATE WITH BLADE SEALED ASSEMBLY SPECIFIED IN MOLEX DRAWING SD-33482-0001.
-SYSTEM TO BE USED WITH WIRE WITHIN DIAMETER RANGE OF 1.2mm TO 2.69mm.
-COMPONENTS ARE OPTIONAL AND MUST BE PURCHASED SEPERATELY.
-DESIGN IS OWNED BY SCHLEMMER FOR SCHLEMMER BACKSHELL.
-DESIGN IS OWNED BY MOLEX FOR MOLEX BACKSHELL.
-90° ADAPTOR DESIGN IS OWNED BY MOLEX.
-FOR ADDITIONAL INFORMATION SEE THE BACKSHELL COMPONENT DRAWING SD-34950-0001.



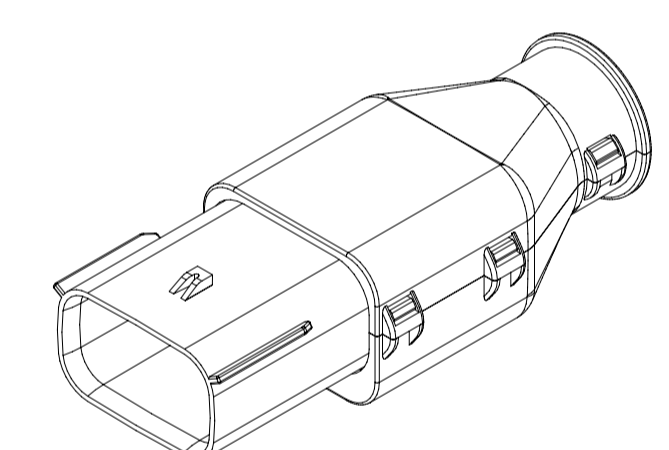
2X3



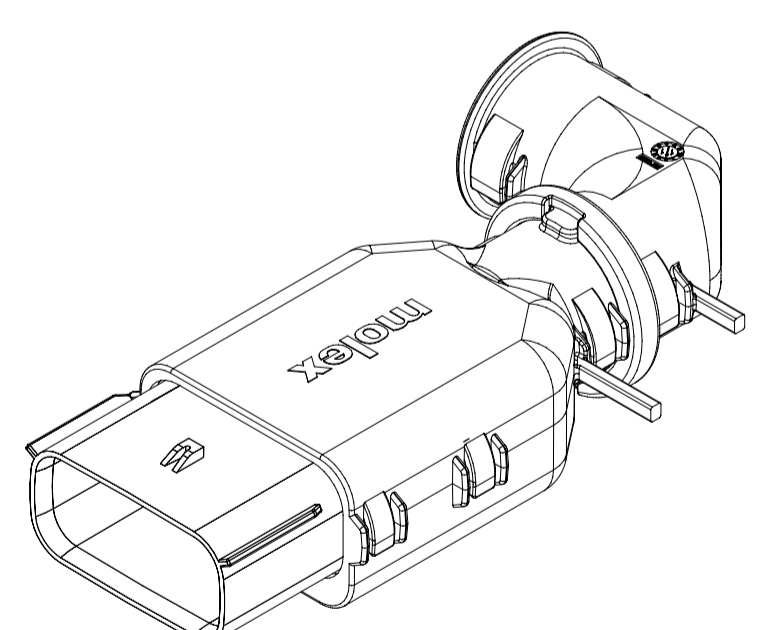
2X4



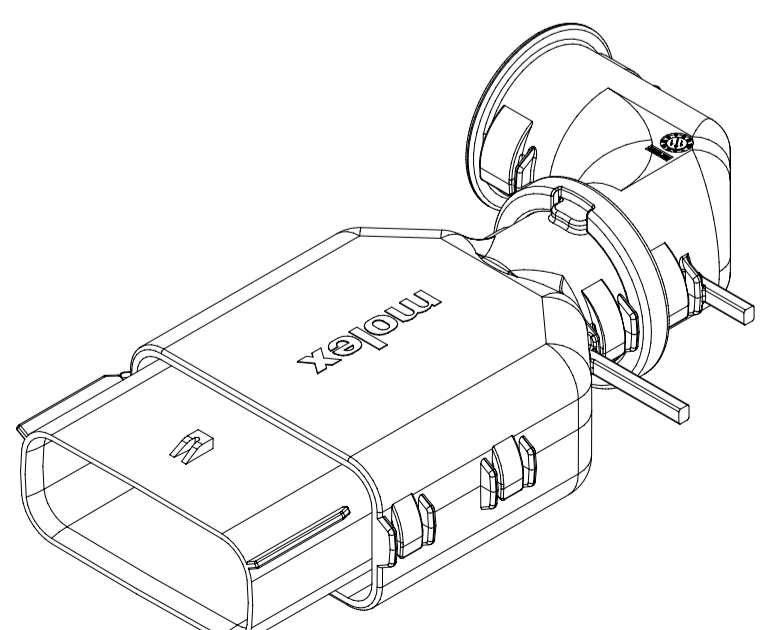
2X4



2X6



2X8



2X10

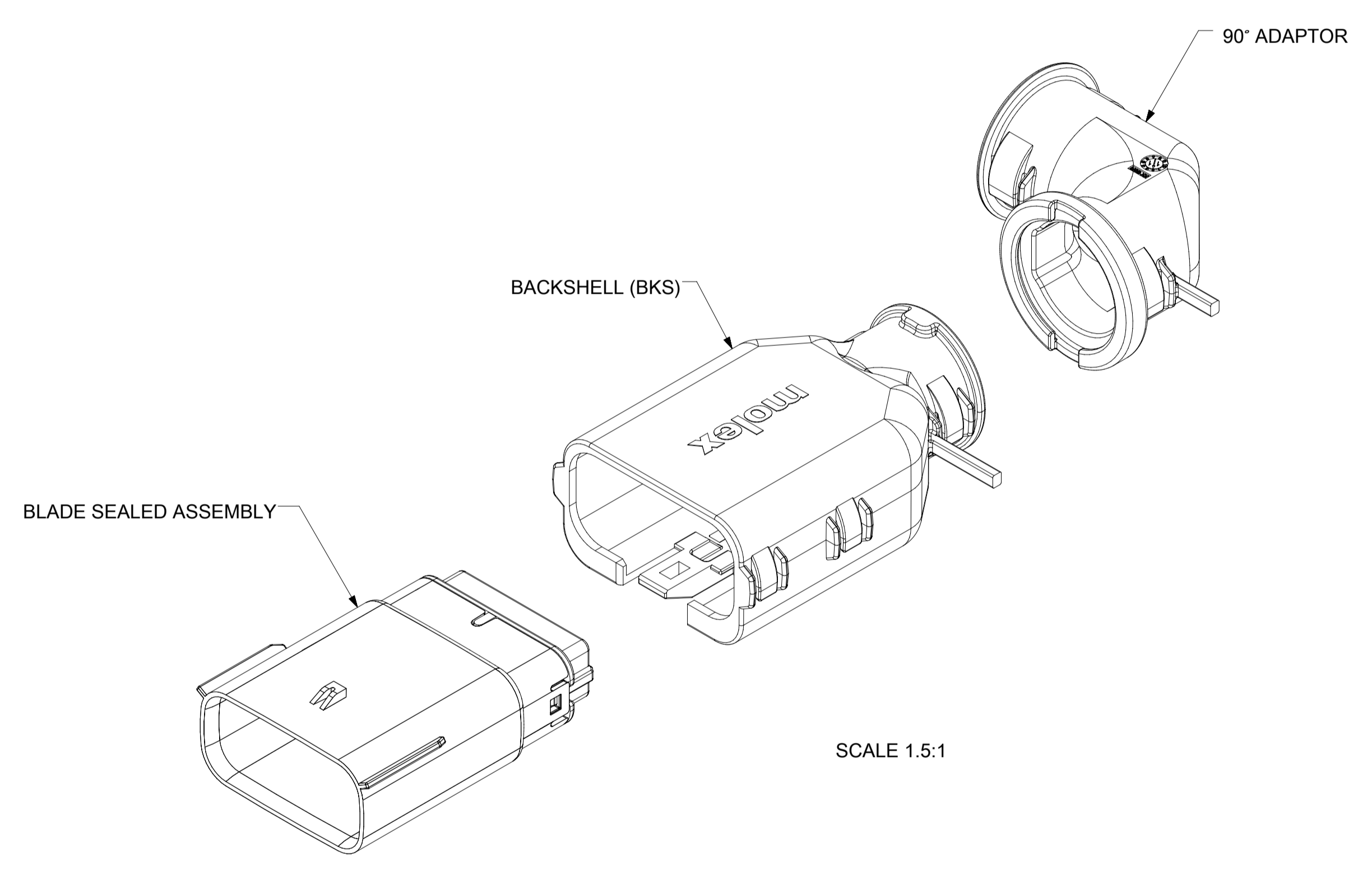
BACKSHELL CUSTOMER MODEL NUMBER LEGEND

34950-XXXX

- CUSTOMER MODEL COMPONENTS
0 - SCHLEMMER BACKSHELL ONLY
1 - SCHLEMMER BACKSHELL & MX150 HOUSING KEY A ASSEMBLY
2 - SCHLEMMER BACKSHELL & MX150 HOUSING KEY B ASSEMBLY
3 - SCHLEMMER BACKSHELL & MX150 HOUSING KEY C ASSEMBLY
4 - SCHLEMMER BACKSHELL & MX150 HOUSING KEY D ASSEMBLY
5 - MOLEX BACKSHELL ONLY
6 - MOLEX BACKSHELL & MX150 HOUSING KEY A ASSEMBLY
7 - MOLEX BACKSHELL & MX150 HOUSING KEY B ASSEMBLY
8 - MOLEX BACKSHELL & MX150 HOUSING KEY C ASSEMBLY
9 - MOLEX BACKSHELL & MX150 HOUSING KEY D ASSEMBLY

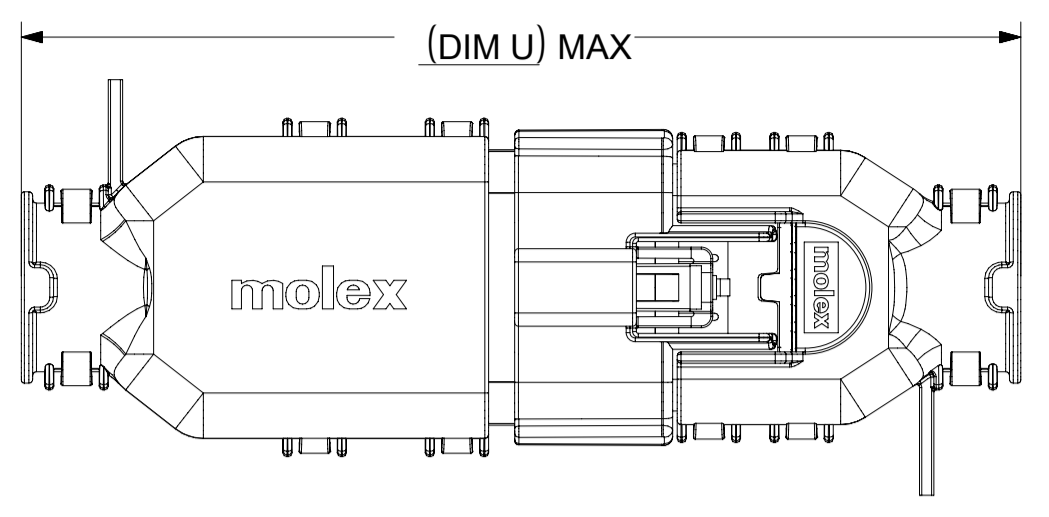
- BACKSHELL FEATURES
1 - WITH RIBS
2 - WITHOUT RIBS
3 - 90° ADAPTOR

MX150 CIRCUIT SIZE 04, 06, 08, 12, 16, 20

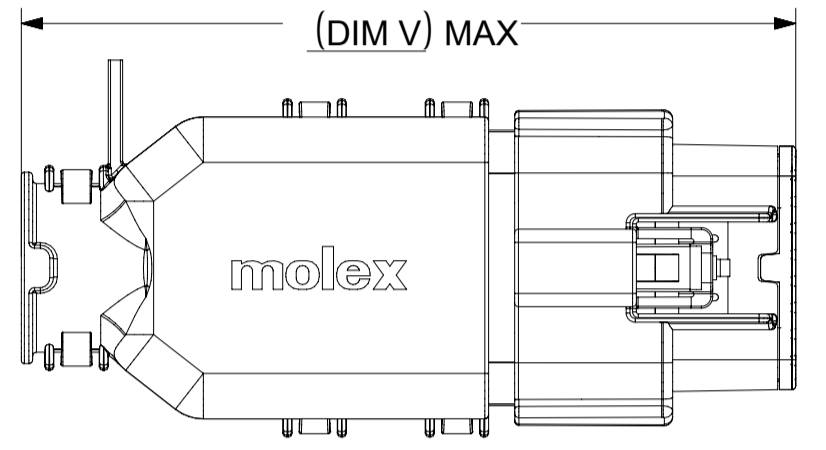
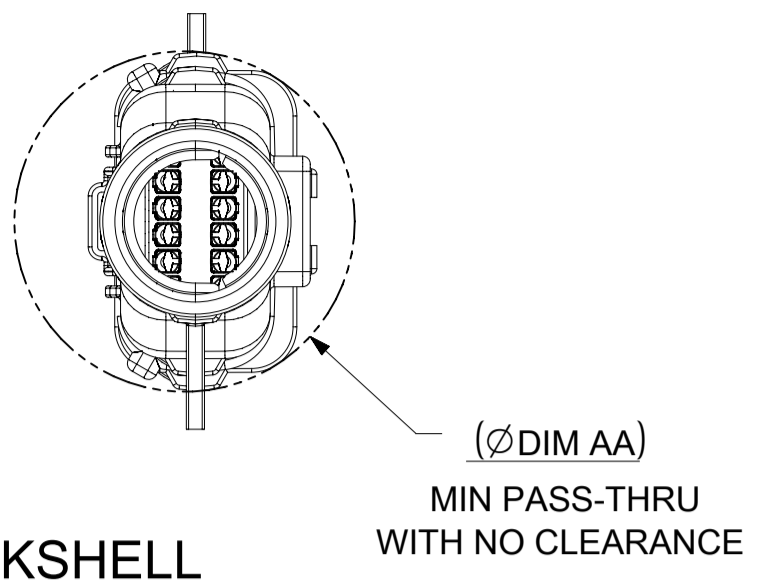


SYMBOLS	THIS DRAWING CONTAINS INFORMATION THAT IS PROPRIETARY TO MOLEX ELECTRONIC TECHNOLOGIES, LLC AND SHOULD NOT BE USED WITHOUT WRITTEN PERMISSION		CURRENT REV DESC:					
	DIMENSION UNITS	SCALE						EC NO: 171650
▽ = 0	mm	1.5:1	DRWN: APROFFITT 2014/04/28	SD-33482-0001				
▽ = 0	GENERAL TOLERANCES (UNLESS SPECIFIED)		CHK'D: MVANSLAMBROU 2018/02/16					
▽ = 0	ANGULAR TOL ± 1.0°		APPR: MVANSLAMBROU 2018/02/16	PRODUCT CUSTOMER DRAWING				
▽ = 0	4 PLACES	±	INITIAL REVISION:	DOCUMENT NUMBER				
▽ = 0	3 PLACES	±	DRWN: APROFFITT 2014/04/28	SD-33482-0001		PSD	001	E2
▽ = 0	2 PLACES	± 0.1	APPR: VKOSHY 2014/05/14	MATERIAL NUMBER		CUSTOMER		SHEET NUMBER
▽ = 0	1 PLACE	± 0.2	THIRD ANGLE PROJECTION	A1-SIZE		GENERAL MARKET		7 OF 11
▽ = 0	0 PLACES	±	DRAWING	SERIES		33482		
▽ = 0	DRAFT WHERE APPLICABLE MUST REMAIN WITHIN DIMENSIONS		MATERIAL NUMBER		CUSTOMER		SHEET NUMBER	

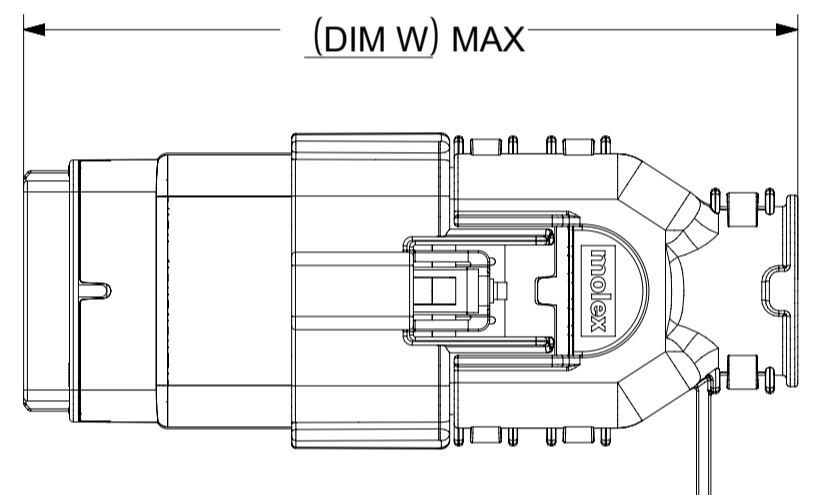
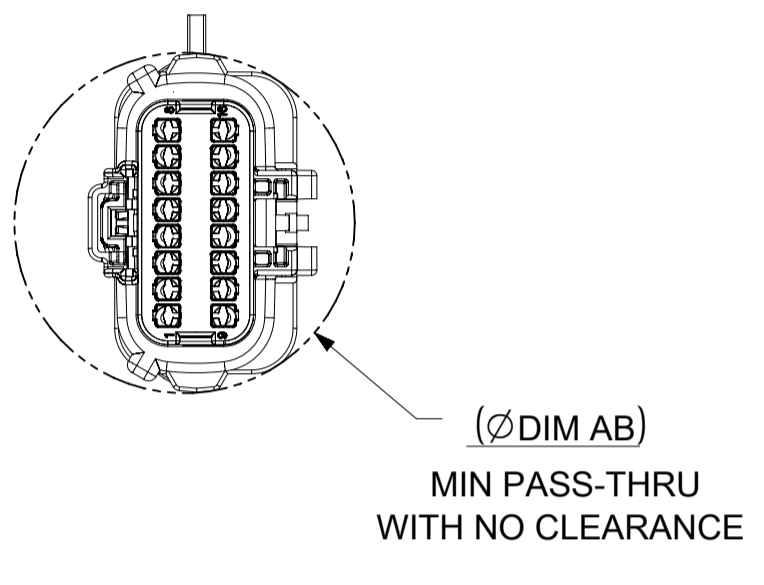
SHEET DESCRIPTION
MOLEX BACKSHELL CONFIGURATIONS



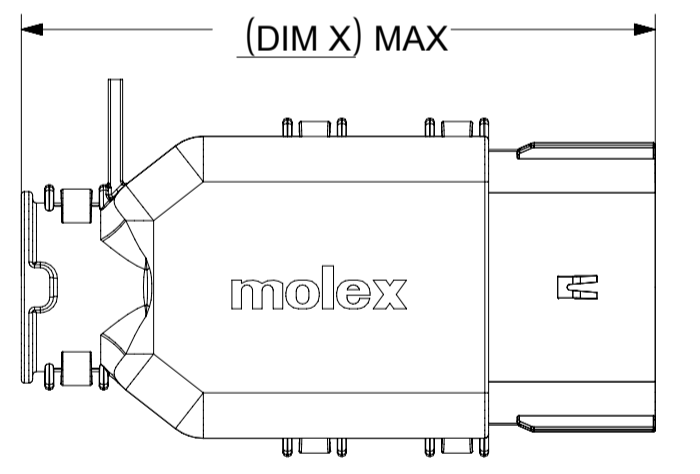
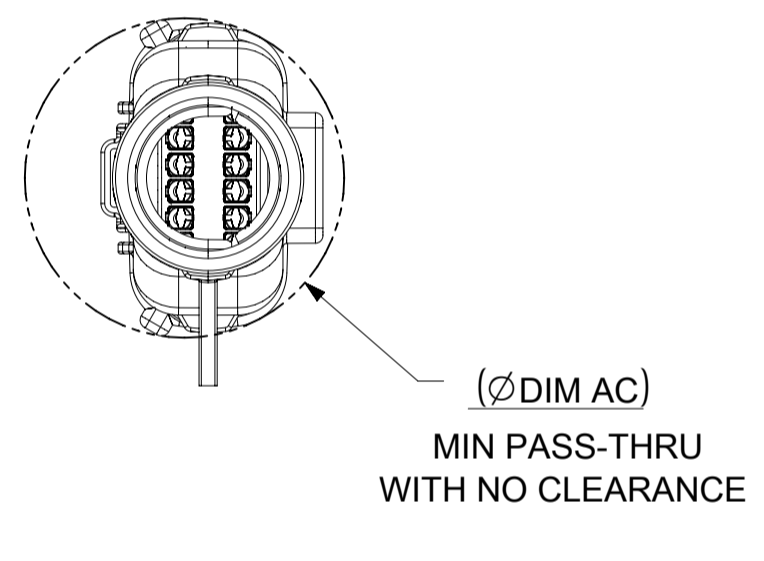
OVERALL MATED SYSTEM WITH BLADE AND RECEPTACLE BACKSHELL



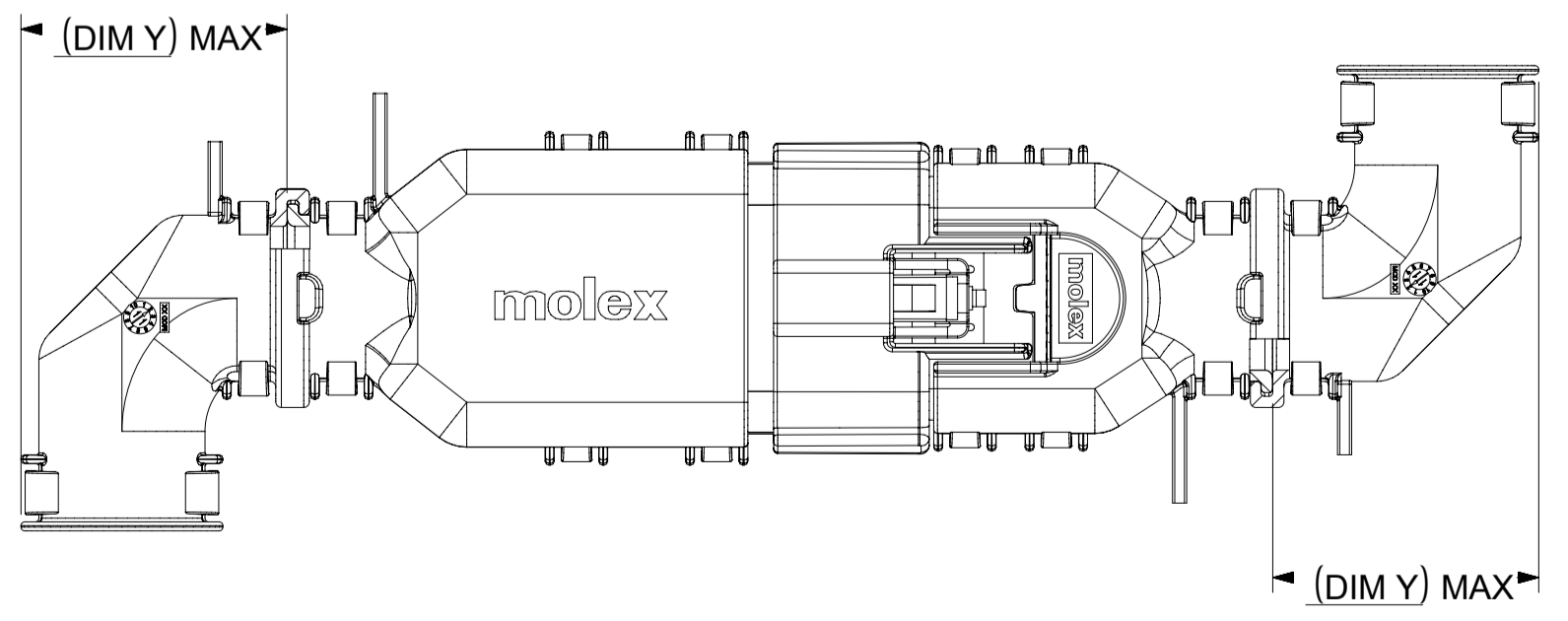
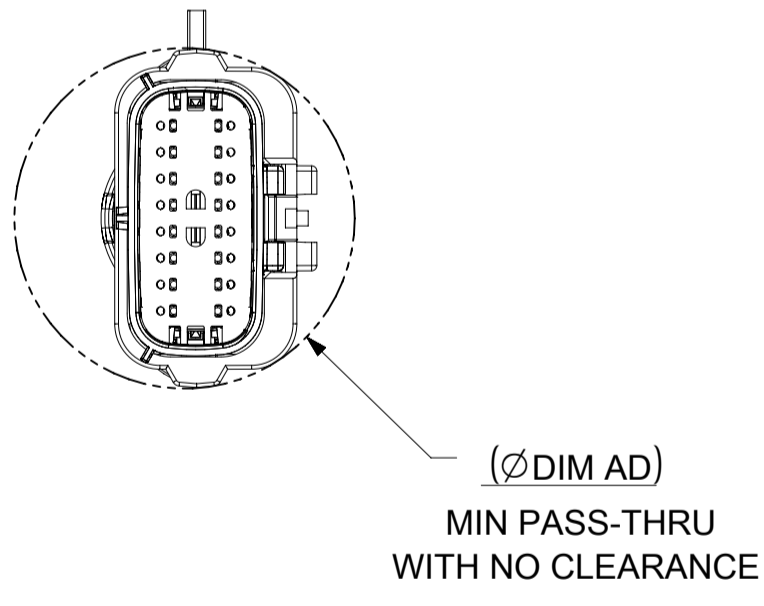
OVERALL MATED SYSTEM WITH BLADE BACKSHELL



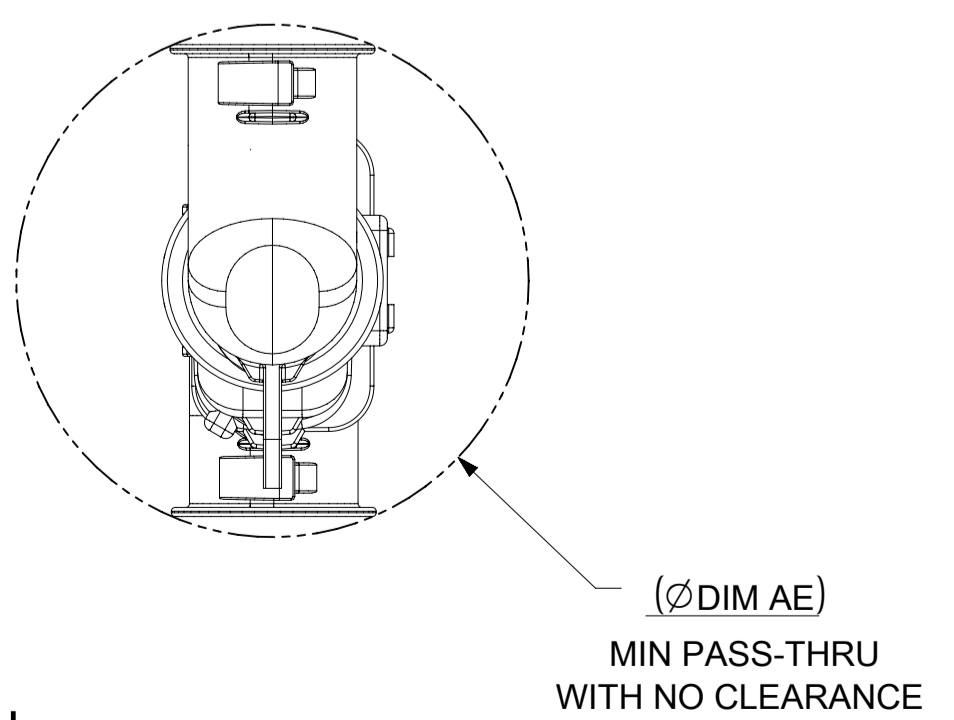
OVERALL MATED SYSTEM WITH RECEPTACLE BACKSHELL



BLADE SEALED ASSEMBLY WITH BLADE BACKSHELL



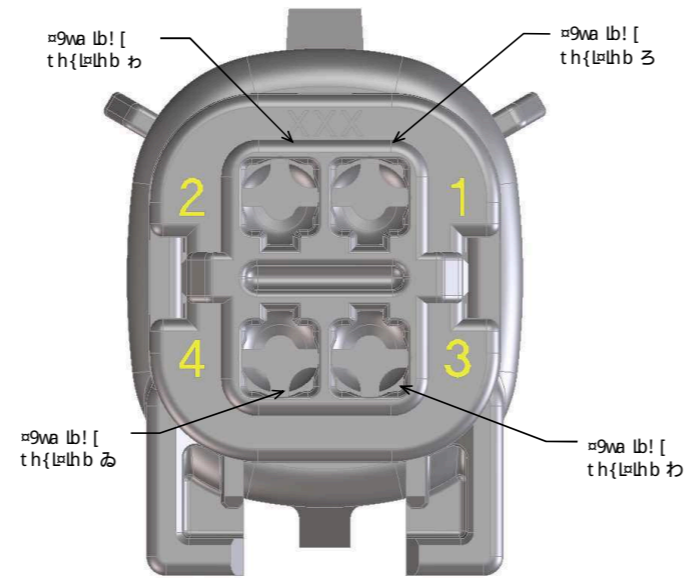
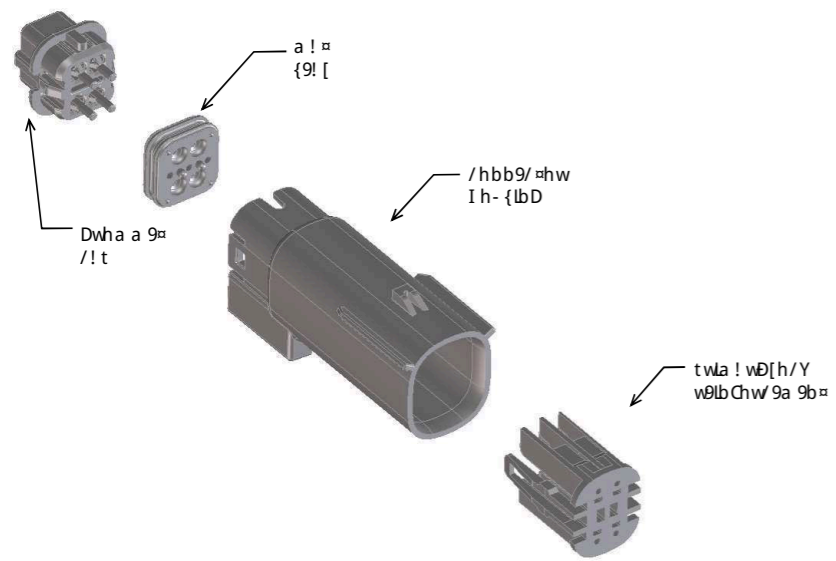
ADD THE VALUE OF 'Y' TO THE TOTAL DIMENSION WHENEVER ADAPTOR IS USED



CHARTED DIMENSIONS

CKT	BLADE CONFIGURATION	RECEPTACLE CONFIGURATION	DIMENSIONS									
			U	V	W	X	Y	AA	AB	AC	AD	AE
2X4	STANDARD	STANDARD	115.24	94.36	93.93	75.62	32.10	32.93	32.54	32.85	31.76	56.81
2X8	STANDARD	STANDARD	132.49	102.81	102.73	84.07	36.10	45.44	45.44	42.65	45.44	68.18
2X10	STANDARD	STANDARD	132.49	102.81	102.73	84.07	36.10	45.44	45.44	42.65	45.44	68.18

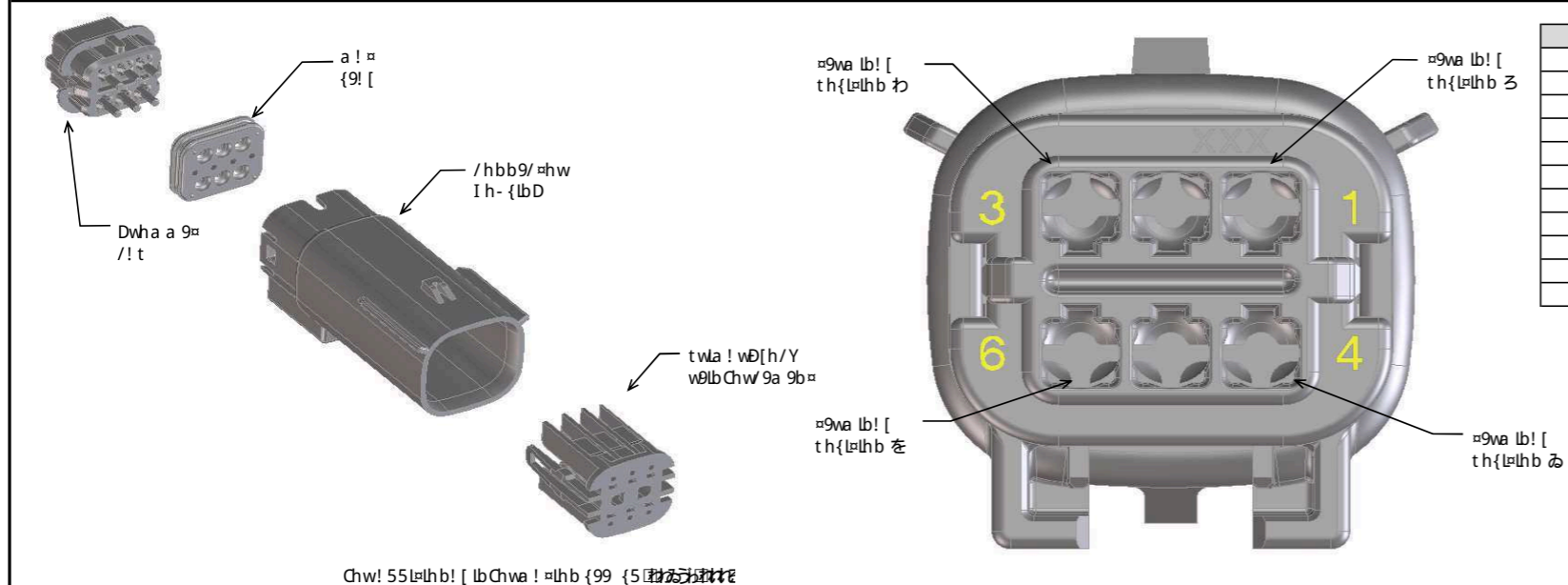
SYMBOLS	THIS DRAWING CONTAINS INFORMATION THAT IS PROPRIETARY TO MOLEX ELECTRONIC TECHNOLOGIES, LLC AND SHOULD NOT BE USED WITHOUT WRITTEN PERMISSION		CURRENT REV DESC:			<h1>molex</h1>
	mm	1:1				
▽ = 0	GENERAL TOLERANCES (UNLESS SPECIFIED)		EC NO: 171650			MX150 BLADE DUAL ROW SEALED ASSEMBLY MAT SEAL
▽ = 0	ANGULAR TOL ± 1.0°		DRWN: PMANJUNATHAC 2018/01/03			
▽ = 0	4 PLACES ±		CHK'D: MVANSLAMBROU 2018/02/16			
▽ = 0	3 PLACES ±		APPR: MVANSLAMBROU 2018/02/16			
▽ = 0	2 PLACES ± 0.1		INITIAL REVISION:			
▽ = 0	1 PLACE ± 0.2		DRWN: APROFFITT 2014/04/28			
▽ = 0	0 PLACES ±		APPR: VKOSHY 2014/05/14			
■ = 0	DRAFT WHERE APPLICABLE MUST REMAIN WITHIN DIMENSIONS		THIRD ANGLE PROJECTION	DRAWING	SERIES	DOCUMENT NUMBER
▽ = 0			⊕	A1-SIZE	33482	SD-33482-0001
			MATERIAL NUMBER		CUSTOMER	DOC TYPE DOC PART REVISION
					GENERAL MARKET	PSD 001 E2
					SHEET NUMBER	
					11 OF 11	



! . w9! l l 9hb	59 { / w t 9hb	/ h [h w	a ! 9 w l l
! [Y	I h- {lb D 999 D ht 9hb !	. [! / Y	{t {9b [hb DC
. [D	I h- {lb D 999 D ht 9hb .	[DI 9 Dw E	{t {9b [hb DC
/ [W	I h- {lb D 999 D ht 9hb /	. wh° b	{t {9b [hb DC
5 [Dw	I h- {lb D 999 D ht 9hb 5	Dw99b	{t {9b [hb DC
/ [SD	I h- {lb D 999 D ht 9hb /	5! wW Dw E	{t {9b [hb DC
5 [D	I h- {lb D 999 D ht 9hb 5	{hb9 Dw E	{t {9b [hb DC
! [E	I h- {lb D 999 D ht 9hb !	E9[h°	{t {9b [hb DC
D/t	Dwha a 9 9/! t t [- DD95,	. [! / Y	{t {9b [hb DC
D/h	Dwha a 9 9/! t ht 9b,	. [! / Y	{t {9b [hb DC
t [w	t [w	b! - w [{t {9b [hb DC
a	a ! 9! [wh [. [- 9	lb I 9w9b [D [- . w! ! 95 {l l / hb 9

Chw! 55 l9hb! [lb Chwa ! 9hb {99 {5

! {9a . [D59 { / w t 9hb	! {9a . [D t! w9b- a . 9w	/ ha thb 9b				. [h/Y95 9wa lb! [{											{ 9! - {	/ ha a 9b	ht 9hb! [! 9! 9b { h {5 9t 9w 99	
		9! 9t w9 { 9b / 9 h C ! b ! . w9! l l 9hb lb 5 l ! 99 [9 t w9 { 9b / 9 h C = ! 9 / ha thb 9b				/ ! ! 9 9 ! b- a . 9w lb 5 l ! 99 . [h/Y95 9wa lb! [t h {l9hb / ! ! 9 9 ! b- a . 9w lb 5 l ! 99 ht 9b 9wa lb! [t h {l9hb													! / Y [9 [° l9! wL {	! / Y [9 [° l9! h- 9 wL {
		I h- {lb D Y9D 9h [hw	Dwha a 9 9/! t	t [w	a ! 9! [3	わ	わ	あ											
Y9D! 99 [! / Y	!	D/h	t [w	a														{! [9! . [9		
Y9D. 99 [DI 9 Dw E	. [D	D/h	t [w	a														{! [9! . [9		
Y9D/ 99 wh° b	/ [W	D/h	t [w	a														bh = w9 / ha a 9b 595	{99	
Y9D5 99 Dw99b	5 [Dw	D/h	t [w	a														bh = w9 / ha a 9b 595	{99	
Y9D! 99 [! / Y	!	D/t	t [w	a														{! [9! . [9		
Y9D. 99 [DI 9 Dw E	. [D	D/t	t [w	a														{! [9! . [9		
Y9D/ 99 wh° b	/ [W	D/t	t [w	a														bh = w9 / ha a 9b 595	{99	
Y9D5 99 Dw99b	5 [Dw	D/t	t [w	a														bh = w9 / ha a 9b 595	{99	
Y9D! 99 [! / Y	!	D/t	t [w	a														{! [9! . [9		
Y9D. 99 [DI 9 Dw E	. [D	D/t	t [w	a														{! [9! . [9		
Y9D/ 99 wh° b	/ [W	D/t	t [w	a														bh = w9 / ha a 9b 595	{99	
Y9D5 99 Dw99b	5 [Dw	D/t	t [w	a														bh = w9 / ha a 9b 595	{99	
Y9D! 99 [! / Y	!	D/t	t [w	a														{! [9! . [9		
Y9D. 99 [DI 9 Dw E	. [D	D/t	t [w	a														{! [9! . [9		
Y9D/ 99 wh° b	/ [W	D/t	t [w	a														bh = w9 / ha a 9b 595	{99	
Y9D5 99 Dw99b	5 [Dw	D/t	t [w	a														bh = w9 / ha a 9b 595	{99	
Y9D! 99 [! / Y	!	D/t	t [w	a														{! [9! . [9		
Y9D. 99 [DI 9 Dw E	. [D	D/t	t [w	a														{! [9! . [9		
Y9D/ 99 wh° b	/ [W	D/t	t [w	a														bh = w9 / ha a 9b 595	{99	
Y9D5 99 Dw99b	5 [Dw	D/t	t [w	a														bh = w9 / ha a 9b 595	{99	
Y9D! 99 [! / Y	!	D/t	t [w	a														{! [9! . [9		
Y9D. 99 [DI 9 Dw E	. [D	D/t	t [w	a														{! [9! . [9		
Y9D/ 99 wh° b	/ [W	D/t	t [w	a														bh = w9 / ha a 9b 595	{99	
Y9D5 99 Dw99b	5 [Dw	D/t	t [w	a														bh = w9 / ha a 9b 595	{99	
Y9D! 99 [! / Y	!	D/t	t [w	a														{! [9! . [9		
Y9D. 99 [DI 9 Dw E	. [D	D/t	t [w	a														{! [9! . [9		
Y9D/ 99 wh° b	/ [W	D/t	t [w	a														bh = w9 / ha a 9b 595	{99	
Y9D5 99 Dw99b	5 [Dw	D/t	t [w	a														bh = w9 / ha a 9b 595	{99	
Y9D! 99 [! / Y	!	D/t	t [w	a														{! [9! . [9		
Y9D. 99 [DI 9 Dw E	. [D	D/t	t [w	a														{! [9! . [9		
Y9D/ 99 wh° b	/ [W	D/t	t [w	a														bh = w9 / ha a 9b 595	{99	
Y9D5 99 Dw99b	5 [Dw	D/t	t [w	a														bh = w9 / ha a 9b 595	{99	
Y9D! 99 [! / Y	!	D/t	t [w	a														{! [9! . [9		
Y9D. 99 [DI 9 Dw E	. [D	D/t	t [w	a														{! [9! . [9		
Y9D/ 99 wh° b	/ [W	D/t	t [w	a														bh = w9 / ha a 9b 595	{99	
Y9D5 99 Dw99b	5 [Dw	D/t	t [w	a														bh = w9 / ha a 9b 595	{99	
Y9D! 99 [! / Y	!	D/t	t [w	a														{! [9! . [9		
Y9D. 99 [DI 9 Dw E	. [D	D/t	t [w	a														{! [9! . [9		
Y9D/ 99 wh° b	/ [W	D/t	t [w	a														bh = w9 / ha a 9b 595	{99	
Y9D5 99 Dw99b	5 [Dw	D/t	t [w	a														bh = w9 / ha a 9b 595	{99	
Y9D! 99 [! / Y	!	D/t	t [w	a														{! [9! . [9		
Y9D. 99 [DI 9 Dw E	. [D	D/t	t [w	a														{! [9! . [9		
Y9D/ 99 wh° b	/ [W	D/t	t [w	a														bh = w9 / ha a 9b 595	{99	
Y9D5 99 Dw99b	5 [Dw	D/t	t [w	a														bh = w9 / ha a 9b 595	{99	
Y9D! 99 [! / Y	!	D/t	t [w	a														{! [9! . [9		
Y9D. 99 [DI 9 Dw E	. [D	D/t	t [w	a														{! [9! . [9		
Y9D/ 99 wh° b	/ [W	D/t	t [w	a														bh = w9 / ha a 9b 595	{99	
Y9D5 99 Dw99b	5 [Dw	D/t	t [w	a														bh = w9 / ha a 9b 595	{99	

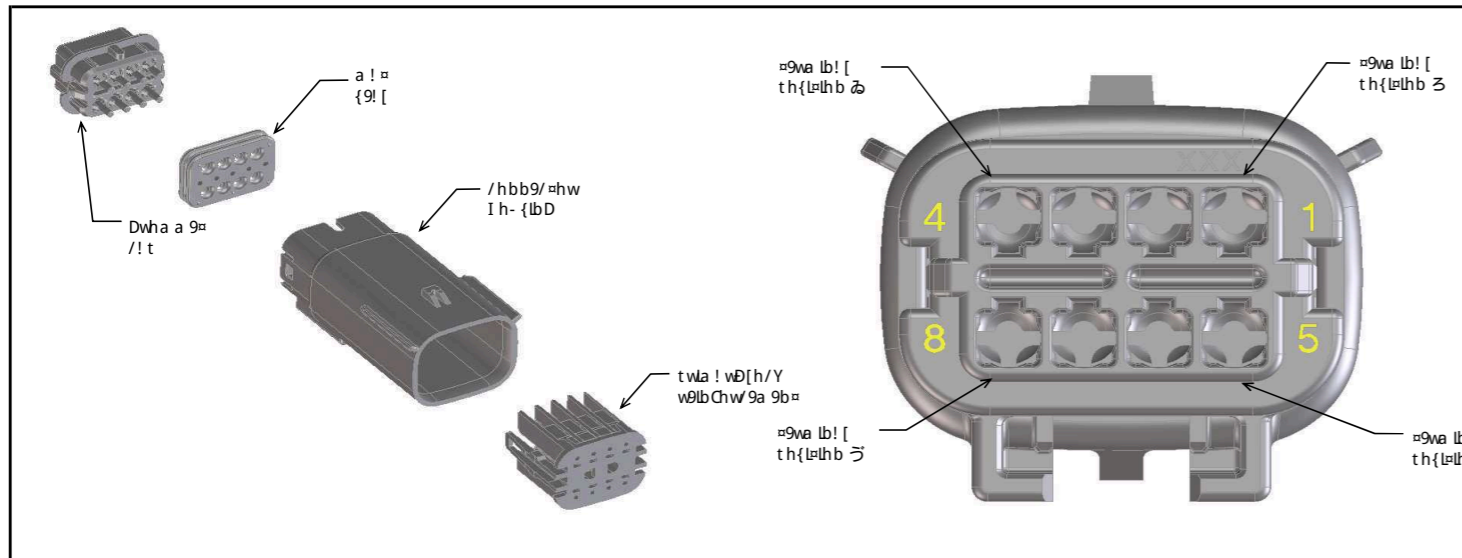


! . wD [l m h b	59 / w t m h b	/ h [h w	a ! m 9 w [[
! [Y	I h- { lbD m 9 9 D b D h t m h b !	. [/ Y	{ t { m 9 [h b D C #
. [E D	I h- { lbD m 9 9 D b D h t m h b .	[l D I m D w E	{ t { m 9 [h b D C #
/ [E w	I h- { lbD m 9 9 D b D h t m h b /	. w h ° b	{ t { m 9 [h b D C #
5 [D w	I h- { lbD m 9 9 D b D h t m h b 5	D w 9 9 b	{ t { m 9 [h b D C #
/ [5 D	I h- { lbD m 9 9 D b D h t m h b /	5 ! w D w E	{ t { m 9 [h b D C #
5 [E D	I h- { lbD m 9 9 D b D h t m h b 5	{ m h b 9 D w E	{ t { m 9 [h b D C #
! [E D	I h- { lbD m 9 9 D b D h t m h b !	E 9 [[h °	{ t { m 9 [h b D C #
D /	Dw ha a 9 m /! t { m b 5 ! w 5	. [/ Y	{ t { m 9 [h b D C #
D / [Dw ha a 9 m /! t { 9 b D m I 9 b 9 5	. [/ Y	{ t { m 9 [h b D C #
t [w	t [w	b ! m - w [{ t { m 9 [h b D C #
a	a ! m { 9! [w h E [. [- 9	l b I 9 w 9 b m [E D - . w ! m 9 5 { [l / h b 9

Chw ! 55 l m h b ! [lb Chwa ! m h b { 99 { 5 m 9 a h b

! { { 9a . [D 59 / w t m h b	! { { 9a . [D t ! w b - a . 9 w	/ ha th b 9 b =					. [h / Y 9 5 m 9 wa lb ! [{										{ m - {	/ ha a 9 b = {	h t m h b ! [! m m / I a 9 b = { { h 5 { 9 t 9 w = 9 [E D		
		I h - { lb D Y 9 D m h [h w	Dw ha a 9 m /! t	t [w	a ! m { 9! [. [/ Y [9 [° [l m {			. [/ Y [9 [° [l m h - m w l {		
Y9D / ! [/ Y		! [Y	D /	t [w	a													{ [9! . [9			
Y9D / m D I m D w E		. [E D	D /	t [w	a													{ [9! . [9			
Y9D / m w h ° b		/ [E w	D /	t [w	a													b h = w 9 / ha a 9 b 5 9 5	{ 99 m 9 a h b		
Y9D 5 m D w 9 9 b		5 [D w	D /	t [w	a													b h = w 9 / ha a 9 b 5 9 5	{ 99 m 9 a h b		
1 h 5 Y 9 E																					
Y9D / ! [/ Y		! [Y	D /	t [w	a													{ [9! . [9			
Y9D / m D I m D w E		. [E D	D /	t [w	a													{ [9! . [9			
Y9D / m w h ° b		/ [E w	D /	t [w	a													b h = w 9 / ha a 9 b 5 9 5	{ 99 m 9 a h b		
Y9D 5 m D w 9 9 b		5 [D w	D /	t [w	a													b h = w 9 / ha a 9 b 5 9 5	{ 99 m 9 a h b		
1 h 5 Y 9 E																					
Y9D / ! [/ Y		! [Y	D /	t [w	a													{ [9! . [9			
Y9D / m D I m D w E		. [E D	D /	t [w	a													{ [9! . [9			
Y9D / m w h ° b		/ [E w	D /	t [w	a													b h = w 9 / ha a 9 b 5 9 5	{ 99 m 9 a h b		
Y9D 5 m D w 9 9 b		5 [D w	D /	t [w	a													b h = w 9 / ha a 9 b 5 9 5	{ 99 m 9 a h b		
1 h 5 Y 9 E																					
Y9D / ! [/ Y		! [Y	D /	t [w	a													{ [9! . [9			
Y9D / ! [/ Y		! [Y	D /	t [w	a													{ [9! . [9			
Y9D / ! [/ Y		! [Y	D /	t [w	a													{ [9! . [9			
Y9D / ! [/ Y		! [Y	D /	t [w	a													{ [9! . [9			
Y9D / ! [/ Y		! [Y	D /	t [w	a													{ [9! . [9			
Y9D / ! [/ Y		! [Y	D /	t [w	a													{ [9! . [9			
Y9D / ! [/ Y		! [Y	D /	t [w	a													{ [9! . [9			
Y9D / ! [/ Y		! [Y	D /	t [w	a													{ [9! . [9			
Y9D / ! [/ Y		! [Y	D /	t [w	a													{ [9! . [9			
Y9D / ! [/ Y		! [Y	D /	t [w	a													{ [9! . [9			
Y9D / ! [/ Y		! [Y	D /	t [w	a													{ [9! . [9			
Y9D / ! [/ Y		! [Y	D /	t [w	a													{ [9! . [9			
Y9D / ! [/ Y		! [Y	D /	t [w	a													{ [9! . [9			
Y9D / ! [/ Y		! [Y	D /	t [w	a													{ [9! . [9			
Y9D / ! [/ Y		! [Y	D /	t [w	a													{ [9! . [9			
Y9D / ! [/ Y		! [Y	D /	t [w	a													{ [9! . [9			
Y9D / ! [/ Y		! [Y	D /	t [w	a													{ [9! . [9			
Y9D / ! [/ Y		! [Y	D /	t [w	a													{ [9! . [9			
Y9D / ! [/ Y		! [Y	D /	t [w	a													{ [9! . [9			
Y9D / ! [/ Y		! [Y	D /	t [w	a													{ [9! . [9			
Y9D / ! [/ Y		! [Y	D /	t [w	a													{ [9! . [9			
Y9D / ! [/ Y		! [Y	D /	t [w	a													{ [9! . [9			
Y9D / ! [/ Y		! [Y	D /	t [w	a													{ [9! . [9			
Y9D / ! [/ Y		! [Y	D /	t [w	a													{ [9! . [9			
Y9D / ! [/ Y		! [Y	D /	t [w	a													{ [9! . [9			
Y9D / ! [/ Y		! [Y	D /	t [w	a													{ [9! . [9			
Y9D / ! [/ Y		! [Y	D /	t [w	a													{ [9! . [9			
Y9D / ! [/ Y		! [Y	D /	t [w	a													{ [9! . [9			
Y9D / ! [/ Y		! [Y	D /	t [w	a													{ [9! . [9			
Y9D / ! [/ Y		! [Y	D /	t [w	a													{ [9! . [9			
Y9D / ! [/ Y		! [Y	D /	t [w	a													{ [9! . [9			

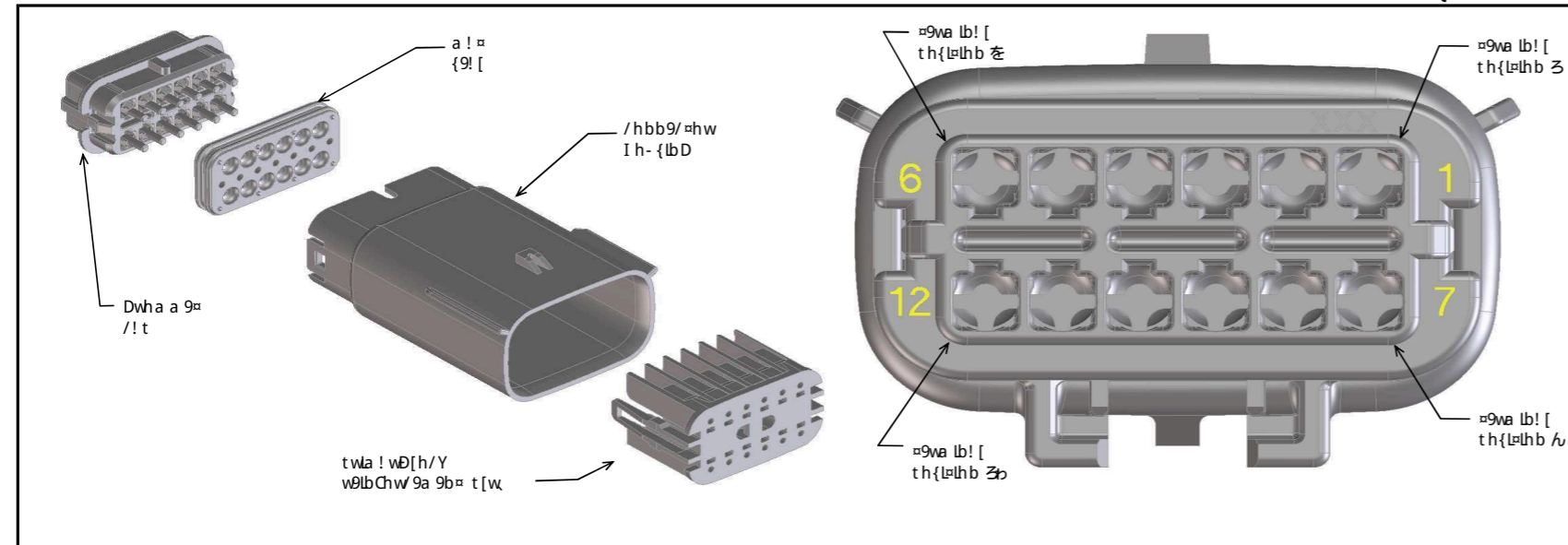
! {9a . [D59{/wt =lhb	! {9a . [D t! w b- a . 9w	/ha thb9b=				. [h/Y95 =9wa lb! [{											{m - {	/ha a 9b={	ht =lhb! [! m/ I a 9b={ h{5 {9t 9w =9[D				
		=I 9tw9b/9hC! b! . w9! ll =lhb lb5L! =9{ =I 9 tw9(9b/9hC=I! =/ha thb9b=				/! ' l=9° l=I ! b- a . 9wlb5L! =9{ . [h/Y95 =9wa lb! [th{l=lhb /! ' l=9° l=I h- =! b- a . 9wlb5L! =9{ ht9b =9wa lb! [th{l=lhb													./Y{I 9[[° l=I wL {	./Y{I 9[[° l=I h- = wL {			
		I h- {lbD Y9D=h[hw	Dwha a 9=	t[w	a! = {9! [ろ	わ	わ	ゐ	ゑ	を												
Y9D! 9[! /Y	!	D/	t[w	a															{! [9! . [9				
Y9D. =I DI = Dw E	.	D/	t[w	a															{! [9! . [9				
Y9D/ =5! w Dw E	/	D/	t[w	a															{! [9! . [9				
Y9D! 9[! /Y	!	D/	t[w	a															{! [9! . [9				
Y9D! 9[! /Y	!	D/	t[w	a															{! [9! . [9				
Y9D! 9[! /Y	!	D/	t[w	a															{! [9! . [9				
Y9D! 9[! /Y	!	D/	t[w	a															{! [9! . [9				
Y9D! 9[! /Y	!	D/	t[w	a															{! [9! . [9				
Y9D! 9[! /Y	!	D/	t[w	a															{! [9! . [9				
Y9D! 9[! /Y	!	D/	t[w	a															{! [9! . [9				
Y9D. =I DI = Dw E	.	D/	t[w	a															{! [9! . [9				
Y9D. =I DI = Dw E	.	D/	t[w	a															{! [9! . [9				
Y9D! 9[! /Y	!	D/	t[w	a															{! [9! . [9				
Y9D! 9[! /Y	!	D/	t[w	a															{! [9! . [9				
Y9D. =I DI = Dw E	.	D/	t[w	a															{! [9! . [9				



! .. w9' l =lhb	59{/ wt =lhb	/h[h/w	a ! =9w! [
! [Y	I h- {lbD*Y9DlbD ht=lhb!	./ / Y	{t{bb9hb DC#
. [E	I h- {lbD*Y9DlbD ht=lhb .	[lDI =Dw E	{t{bb9hb DC#
/ [E	I h- {lbD*Y9DlbD ht=lhb /	. wh° b	{t{bb9hb DC#
5 [Dw	I h- {lbD*Y9DlbD ht=lhb 5	Dw99b	{t{bb9hb DC#
/ [SD	I h- {lbD*Y9DlbD ht=lhb /	5! w! Dw E	{t{bb9hb DC#
5 [D	I h- {lbD*Y9DlbD ht=lhb 5	{hb9 Dw E	{t{bb9hb DC#
! [E	I h- {lbD*Y9DlbD ht=lhb!	99[h°	{t{bb9hb DC#
D/t	Dwha a 9a/! t t[- DD95,	./ / Y	{t{bb9hb DC#
D/h	Dwha a 9a/! t ht9b,	./ / Y	{t{bb9hb DC#
t[w	t[w	b! =- w [{t{bb9hb DC#
a [w	a ! a {9[[w- {w95	lDI 9w9b=[D[- . w! =95 {l/l/hb9
a [a	a ! a {9[[wh9 [. - 9	lDI 9w9b=[D[- . w! =95 {l/l/hb9

Chw! 55{lhb! [lbChwa ! =lhb {99 {5 {9a{9a

! {9a . [D59{/wt=lhb	! {9a . [Dt! w9 b- a . 9w	/ha thb9b=						. /h/Y95 =9va lb! [{						/ha a 9b={	ht=lhb! [! =w! /I a 9b={ {h5 {9t 9w =9[
		=9t w9 {9b/9 hC! b! ... w9' l =lhb lb5U! =9[a {9t w9 {9b/9 hC=I! = /ha thb9b=						/! ' l=9 [l=I b- a . 9wlb5U! =9[. /h/Y95 =9va lb! [th{lhb /! ' l=9 [l=I h- =! b- a . 9wlb5U! =9[ht 9b =9va lb! [th{lhb							. /Y [I 9[° l=I wL {	. /Y [I 9[° l=I h- = wL {	h! 5! t=hw° l=I wL {	h! 5! t=hw° l=I h- = wL {
		I h- {lbD Y9Dh[h/w	Dwha a 9a /! t	t[w	a ! a {9[[ろ	わ	わ	あ	え	を	ん	う					
Y9D! [Y	! [Y	D/h	t[w	a [w									t [bb95 h. {h[9 /9b /9	{99				
Y9D. [DI =Dw E	. [E	D/h	t[w	a [w									t [bb95 h. {h[9 /9b /9	{99				
Y9D/ wh° b	/ [E	D/h	t[w	a [w									t [bb95 h. {h[9 /9b /9	{99				
Y9D5 =Dw99b	5 [Dw	D/h	t[w	a [w									t [bb95 h. {h[9 /9b /9	{99				
h5 Y9E																		
Y9D! [Y	! [Y	D/t	t[w	a [w									t [bb95 h. {h[9 /9b /9	{99				
Y9D. [DI =Dw E	. [E	D/t	t[w	a [w									t [bb95 h. {h[9 /9b /9	{99				
Y9D/ wh° b	/ [E	D/t	t[w	a [w									t [bb95 h. {h[9 /9b /9	{99				
Y9D5 =Dw99b	5 [Dw	D/t	t[w	a [w									t [bb95 h. {h[9 /9b /9	{99				
h5 Y9E																		
Y9D! [Y	! [Y	D/t	t[w	a [w									t [bb95 h. {h[9 /9b /9	{99				
Y9D. [DI =Dw E	. [E	D/t	t[w	a [w									t [bb95 h. {h[9 /9b /9	{99				
Y9D/ wh° b	/ [E	D/t	t[w	a [w									t [bb95 h. {h[9 /9b /9	{99				
Y9D5 =Dw99b	5 [Dw	D/t	t[w	a [w									t [bb95 h. {h[9 /9b /9	{99				
h5 Y9E																		
Y9D! [Y	! [Y	D/t	t[w	a [w									t [bb95 h. {h[9 /9b /9	{99				
Y9D. [DI =Dw E	. [E	D/t	t[w	a [w									t [bb95 h. {h[9 /9b /9	{99				
Y9D/ wh° b	/ [E	D/t	t[w	a [w									t [bb95 h. {h[9 /9b /9	{99				
Y9D5 =Dw99b	5 [Dw	D/t	t[w	a [w									t [bb95 h. {h[9 /9b /9	{99				
h5 Y9E																		



! . w9! ll αlh b	59/wt αlh b	/h[hw	a ! α9wll [
! □Y	I h- {lbDαY9DlbD ht αlh b !	. ! /Y	{t { lbE[hb DC#
. □D	I h- {lbDαY9DlbD ht αlh b .	[lDI α Dw E	{t { lbE[hb DC#
/ □w	I h- {lbDαY9DlbD ht αlh b /	. wh° b	{t { lbE[hb DC#
5 □Dw	I h- {lbDαY9DlbD ht αlh b 5	Dw99b	{t { lbE[hb DC#
! □E	I h- {lbDαY9DlbD ht αlh b !	□E[h°	{t { lbE[hb DC#
/ □D	I h- {lbDαY9DlbD ht αlh b /	5! wW Dw E	{t { lbE[hb DC#
5 □D	I h- {lbDαY9DlbD ht αlh b 5	{αhb9Dw E	{t { lbE[hb DC#
D/t	Dwha a 9α /! t t[- DD95、	. ! /Y	{t { lbE[hb DC#
t[w	t[w	b! α- w [{t { lbE[hb DC#
a □	a ! α {9! [w {αw95	lbI 9w9bα[D[- . w! ! α95 {ll/hb9
a □	a ! α {9! [whE [. [- 9	lbI 9w9bα[D[- . w! ! α95 {ll/hb9

Chw! 55! lbh! [lbChwa ! lbh {99 {5

! {9a . [D59/wt αlh b	! {9a . [Dt! wa b- a . 9w	. [h/Y95 α9wa lb! [{																{α α- {	/ha a 9bα	ht αlh b! [! αα! α/I a 9bα {h5 {9t9w α9[D			
		/ha thb9bα				/! ' lαD° lαI ! b- a . 9wlb5L! α9{ . [h/Y95 α9wa lb! [th{lelhb /! ' lαD° lαI h- α! b- a . 9wlb5L! α9{ ht9b α9wa lb! [th{lelhb														! /Y{I 9[[° lαI wL {	! /Y{I 9[[° lαI h- α wL {		
		I h- {lbD Y9Dα[h/hw	Dwha a 9α /! t	t[w	a ! α {9! [ろ	わ	わ	ゐ	ゑ	を	ん	う	ゝ	ぢ	ぢ	ぢ						
Y9D! □ / Y	□Y	D/t	t[w	a □																t[! bb95 h. {h[9/9b/9	{99		
Y9D/ □DI α Dw E	. □D	D/t	t[w	a □																t[! bb95 h. {h[9/9b/9	{99		
Y9D/ □wh° b	/ □w	D/t	t[w	a □																t[! bb95 h. {h[9/9b/9	{99		
Y9D5=Dw99b	5 □Dw	D/t	t[w	a □																t[! bb95 h. {h[9/9b/9	{99		
1 h15 Y9E																							
Y9D! □ / Y	□Y	D/t	t[w	a □																t[! bb95 h. {h[9/9b/9	{99		
Y9D/ □DI α Dw E	. □D	D/t	t[w	a □																t[! bb95 h. {h[9/9b/9	{99		
Y9D/ □wh° b	/ □w	D/t	t[w	a □																t[! bb95 h. {h[9/9b/9	{99		
Y9D5=Dw99b	5 □Dw	D/t	t[w	a □																t[! bb95 h. {h[9/9b/9	{99		
1 h15 Y9E																							
Y9D! □ / Y	□Y	D/t	t[w	a □																t[! bb95 h. {h[9/9b/9	{99		
Y9D/ □DI α Dw E	. □D	D/t	t[w	a □																t[! bb95 h. {h[9/9b/9	{99		
Y9D/ □wh° b	/ □w	D/t	t[w	a □																t[! bb95 h. {h[9/9b/9	{99		
Y9D5=Dw99b	5 □Dw	D/t	t[w	a □																t[! bb95 h. {h[9/9b/9	{99		
1 h15 Y9E																							
Y9D! □ / Y	□Y	D/t	t[w	a □																t[! bb95 h. {h[9/9b/9	{99		
Y9D/ □DI α Dw E	. □D	D/t	t[w	a □																t[! bb95 h. {h[9/9b/9	{99		
Y9D/ □wh° b	/ □w	D/t	t[w	a □																t[! bb95 h. {h[9/9b/9	{99		
Y9D5=Dw99b	5 □Dw	D/t	t[w	a □																t[! bb95 h. {h[9/9b/9	{99		
1 h15 Y9E																							
Y9D! □ / Y	□Y	D/t	t[w	a □																t[! bb95 h. {h[9/9b/9	{99		
Y9D/ □DI α Dw E	. □D	D/t	t[w	a □																t[! bb95 h. {h[9/9b/9	{99		
Y9D/ □wh° b	/ □w	D/t	t[w	a □																t[! bb95 h. {h[9/9b/9	{99		
Y9D5=Dw99b	5 □Dw	D/t	t[w	a □																t[! bb95 h. {h[9/9b/9	{99		
1 h15 Y9E																							
Y9D! □ / Y	□Y	D/t	t[w	a □																t[! bb95 h. {h[9/9b/9	{99		
Y9D/ □DI α Dw E	. □D	D/t	t[w	a □																t[! bb95 h. {h[9/9b/9	{99		
Y9D/ □wh° b	/ □w	D/t	t[w	a □																t[! bb95 h. {h[9/9b/9	{99		
Y9D5=Dw99b	5 □Dw	D/t	t[w	a □																t[! bb95 h. {h[9/9b/9	{99		
1 h15 Y9E																							
Y9D! □ / Y	□Y	D/t	t[w	a □																t[! bb95 h. {h[9/9b/9	{99		
Y9D/ □DI α Dw E	. □D	D/t	t[w	a □																t[! bb95 h. {h[9/9b/9	{99		
Y9D/ □wh° b	/ □w	D/t	t[w	a □																t[! bb95 h. {h[9/9b/9	{99		
Y9D5=Dw99b	5 □Dw	D/t	t[w	a □																t[! bb95 h. {h[9/9b/9	{99		
1 h15 Y9E																							
Y9D! □ / Y	□Y	D/t	t[w	a □																t[! bb95 h. {h[9/9b/9	{99		
Y9D/ □DI α Dw E	. □D	D/t	t[w	a □																t[! bb95 h. {h[9/9b/9	{99		
Y9D/ □wh° b	/ □w	D/t	t[w	a □																t[! bb95 h. {h[9/9b/9	{99		
Y9D5=Dw99b	5 □Dw	D/t	t[w	a □																t[! bb95 h. {h[9/9b/9	{99		
1 h15 Y9E																							
Y9D! □ / Y	□Y	D/t	t[w	a □																t[! bb95 h. {h[9/9b/9	{99		
Y9D/ □DI α Dw E	. □D	D/t	t[w	a □																t[! bb95 h. {h[9/9b/9	{99		
Y9D/ □wh° b	/ □w	D/t	t[w	a □																t[! bb95 h. {h[9/9b/9	{99		
Y9D5=Dw99b	5 □Dw	D/t	t[w	a □																t[! bb95 h. {h[9/9b/9	{99		
1 h15 Y9E																							
Y9D! □ / Y	□Y	D/t	t[w	a □																t[! bb95 h. {h[9/9b/9	{99		
Y9D/ □DI α Dw E	. □D	D/t	t[w	a □																t[! bb95 h. {h[9/9b/9	{99		
Y9D/ □wh° b	/ □w	D/t	t[w	a □																t[! bb95 h. {h[9/9b/9	{99		
Y9D5=Dw99b	5 □Dw	D/t	t[w	a □																t[! bb95 h. {h[9/9b/9	{99		
1 h15 Y9E																							
Y9D! □ / Y	□Y	D/t	t[w	a □																t[! bb95 h. {h[9/9b/9	{99		
Y9D/ □DI α Dw E	. □D	D/t	t[w	a □																t[! bb95 h. {h[9/9b/9	{99		
Y9D/ □wh° b	/ □w	D/t	t[w	a □																t[! bb95 h. {h[9/9b/9	{99		
Y9D5=Dw99b	5 □Dw	D/t	t[w	a □																t[! bb95 h. {h[9/9b/9	{99		
1 h15 Y9E																							

Table with columns for phonetic symbols, kana characters, and romanized forms. Includes headers like /ha thb9b= and /h/Y95 99wa lb! { { and rows of data for various syllables.

Table with 20 columns: Roman numerals (I-IX), Japanese characters (ろ, わ, わ, ゐ, 系, を, ん, う, れ, 系, 系), and other symbols. Rows include phonetic notations like 'Y9D/wh° b' and 'Y9D/! /Y'.

Table with multiple columns containing alphanumeric codes, symbols, and Japanese characters. The table is organized into several sections with headers like /ha thb9b and . [h/Y95 9wa lb! {.

Table with multiple columns containing alphanumeric characters and symbols, organized in a grid format. The table includes various combinations of letters, numbers, and symbols, likely representing a data set or a codebook.

Table with multiple columns containing alphanumeric characters and symbols, organized in a grid format. The table includes various combinations of letters, numbers, and symbols, likely representing a data set or a codebook.

a 59{9! [95! {{Da! 9! [. ha ! b5 t lb h- 999

Table with multiple columns containing alphanumeric characters and symbols, organized in a grid-like structure. Includes headers like /ha thb9b and /h/Y95 99wa lb! {.

Table with multiple columns containing phonetic symbols and characters, organized in a grid format. The table includes various symbols like '!', 'Y9D!', and 'D/t' across multiple rows and columns.

Table with multiple columns including headers like /ha thb9b, /h/Y95 9va lb! [, and various alphanumeric codes. The table contains a large grid of data points, likely representing a technical specification or a data matrix.

Table with multiple columns containing alphanumeric codes, symbols, and numbers. The table is organized into several sections with headers like '9b bh', '51', and '99'. It includes various symbols and numbers such as '9b', 'bh', '51', '99', and '95'. The table is a complex grid of data points.

Table with columns for part numbers, descriptions, and various technical specifications. The table contains multiple rows of data, including part numbers like Y9D1 and Y9D2, and various alphanumeric codes.