

3-520997-2 ✓ ACTIVE

Ultra-Fast | Ultra-Fast 187

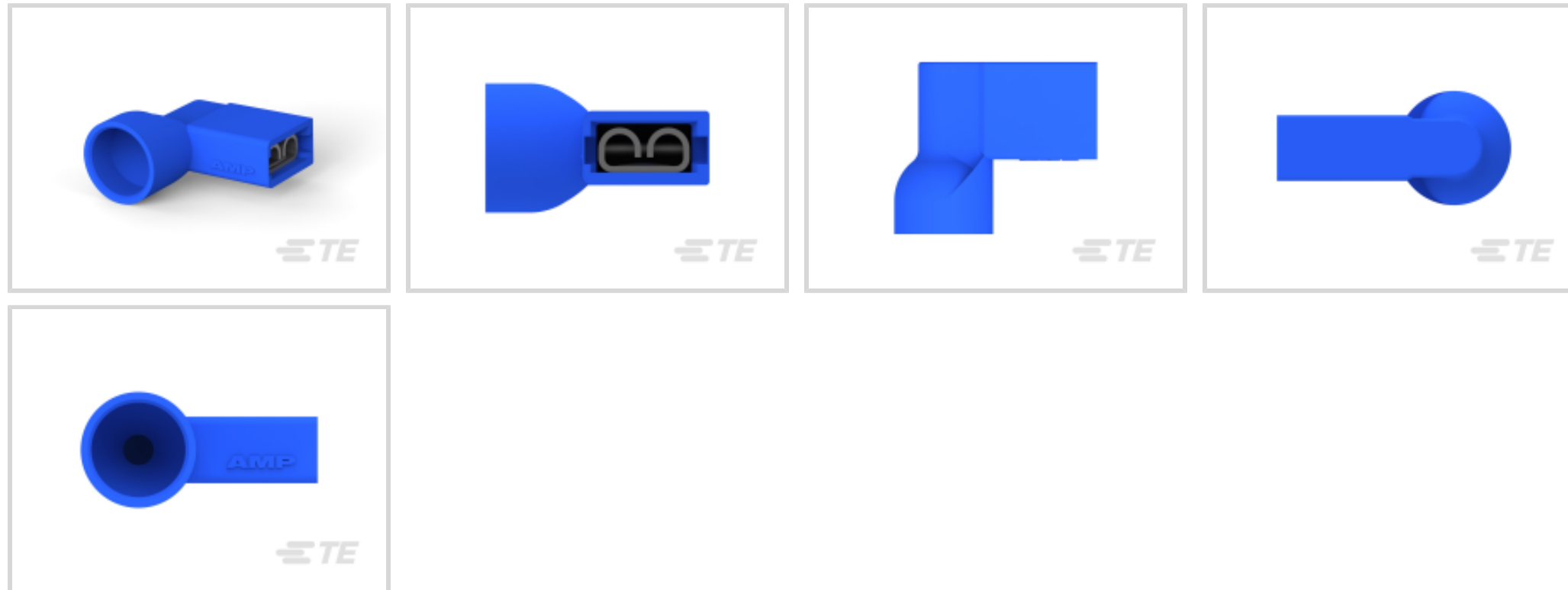
TE Internal #: 3-520997-2

Quick Disconnects, Receptacle, 16 – 14 AWG Wire Size, 1.31 – 2.08 mm<sup>2</sup> Wire Size, Mating Tab Width .187 in [4.75 mm], Flag, Brass, Ultra-Fast 187

[View on TE.com >](#)



Terminals & Splices > Quick Disconnects



Quick Disconnect Terminal Type: **Receptacle**

Wire Size: **1.31 – 2.08 mm<sup>2</sup>**

Mating Tab Width: **4.75 mm [ .187 in ]**

Mating Tab Thickness: **.51 mm [ .02 in ]**

## Features

### Product Type Features

Terminates To	Wire & Cable
Wire/Cable Type	Discrete Wire
Wire Stop	No
Insertion Force	Low
Sealable	No

### Configuration Features

Connection Capacity	Single
---------------------	--------

### Electrical Characteristics

Voltage (Max)	600 V
---------------	-------

### Body Features

Insulation Material	Nylon
---------------------	-------

### Contact Features

Quick Disconnect Terminal Type	Receptacle
Mating Tab Width	4.75 mm[.187 in]



Mating Tab Thickness	.51 mm[.02 in]
Terminal Orientation	Flag
Contact Base Material	Brass
Terminal Plating Material	Tin
Crimp Type	F-Crimp
Barrel Type	Closed

### Mechanical Attachment

Mating Retention Type	Dimple
Wire Insulation Support	With

### Dimensions

Accepts Wire Insulation Diameter Range	6.6 mm[.26 in]
Receptacle Terminal Stock Thickness	.41 mm[.016 in]
Overall Length	14.35 mm[.565 in]
Wire Size	1.31 – 2.08 mm <sup>2</sup>

### Usage Conditions

Insulation Option	Uninsulated
Operating Temperature Range	-40 – 110 °C[-40 – 230 °F]

### Industry Standards

UL Flammability Rating	UL 94V-2
UL Rating	Listed

### Packaging Features

Packaging Quantity	1700
Packaging Method	Strip/Reel

### Other

Barrel Color	Blue
--------------	------

### Product Compliance

[For compliance documentation, visit the product page on TE.com>](#)

EU RoHS Directive 2011/65/EU	Compliant
EU ELV Directive 2000/53/EC	Compliant
China RoHS 2 Directive MIIT Order No 32, 2016	No Restricted Materials Above Threshold
EU REACH Regulation (EC) No. 1907/2006	



Current ECHA Candidate List: JUNE 2022  
(224)  
Candidate List Declared Against: JAN 2022  
(223)  
SVHC > Threshold:  
Not Yet Reviewed

Halogen Content  
Low Halogen - Br, Cl, F, I < 900 ppm per homogenous material. Also BFR/CFR/PVC Free

Solder Process Capability  
Not applicable for solder process capability

**Product Compliance Disclaimer**

This information is provided based on reasonable inquiry of our suppliers and represents our current actual knowledge based on the information they provided. This information is subject to change. The part numbers that TE has identified as EU RoHS compliant have a maximum concentration of 0.1% by weight in homogenous materials for lead, hexavalent chromium, mercury, PBB, PBDE, DBP, BBP, DEHP, DIBP, and 0.01% for cadmium, or qualify for an exemption to these limits as defined in the Annexes of Directive 2011/65/EU (RoHS2). Finished electrical and electronic equipment products will be CE marked as required by Directive 2011/65/EU. Components may not be CE marked. Additionally, the part numbers that TE has identified as EU ELV compliant have a maximum concentration of 0.1% by weight in homogenous materials for lead, hexavalent chromium, and mercury, and 0.01% for cadmium, or qualify for an exemption to these limits as defined in the Annexes of Directive 2000/53/EC (ELV). Regarding the REACH Regulation, the information TE provides on SVHC in articles for this part number is based on the latest European Chemicals Agency (ECHA) 'Guidance on requirements for substances in articles' posted at this URL: <https://echa.europa.eu/guidance-documents/guidance-on-reach>

## Compatible Parts



TE Part # 90391-3  
DIE ULTRA-FAST FASTON 16-14 DIE SET



TE Part # 2-2150641-2  
OCEAN\_2.0\_Applicator-E-237SP



TE Part # 2150641-2  
OCEAN\_2.0\_Applicator-E-237SP



TE Part # 7-2150641-2  
OCEAN\_2.0\_Applicator-E-237SP



**KIT**  
REPRESENTATION ONLY

TE Part # 7-2150641-7  
OCEAN\_2.0\_SPARE\_PART\_KIT-237SP

Also in the Series | [Ultra-Fast 187](#)

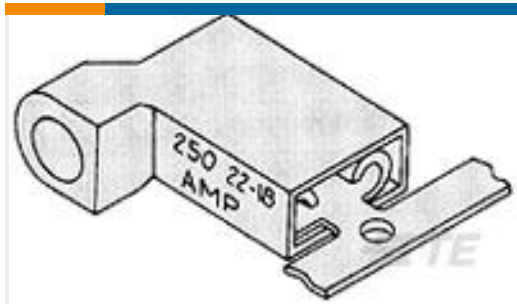


Quick Disconnects(47)

## Customers Also Bought



TE Part #2-35605-2  
TERMINAL,PIDG R 12-10 8



TE Part #3-521247-2  
ULTRA-FAST 187 ASY REC 16-14 AWG TPBR



TE Part #1-2132781-2  
12P EP-II HOUSING, NATURAL



TE Part #2132781-6  
06P EP-II HOUSING, NATURAL



TE Part #42169-2  
SPRING SPADE TERMINAL 18-14 AWG TPBR



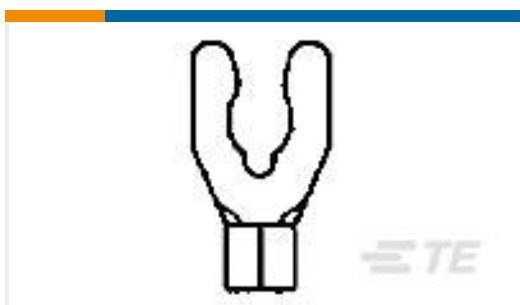
TE Part #1-2132781-0  
10P EP-II HOUSING, NATURAL



TE Part #1744416-3  
3 POS EP II HSG, GLOW WIRE



TE Part #60772-2  
RING CRIMP 18-14 AWG TPBR



TE Part #53125-2  
TERM,SOLIS, SPR SPD, 16-14, #10, TAPE



TE Part #60389-1  
SPADE CRIMP 20-16 AWG BR

## Documents

### Product Drawings

[ULTRA-FAST 187 ASY REC 16-14 AWG TPBR](#)

English

### CAD Files

[3D PDF](#)

[3D](#)

### Customer View Model

[ENG\\_CVM\\_CVM\\_3-520997-2\\_C.2d\\_dxf.zip](#)



English

**Customer View Model**

[ENG\\_CVM\\_CVM\\_3-520997-2\\_C.3d\\_igs.zip](#)

English

**Customer View Model**

[ENG\\_CVM\\_CVM\\_3-520997-2\\_C.3d\\_stp.zip](#)

English

By downloading the CAD file I accept and agree to the [Terms and Conditions](#) of use.

---

**Datasheets & Catalog Pages**

[Ultra-Fast and Ultra Fast Plus](#)

English

---

**Product Specifications**

[Application Specification](#)

English

---

**Product Environmental Compliance**

[TE Material Declaration](#)

English

---

**Agency Approvals**

[UL](#)

English