

324082 ✓ ACTIVE

TERMINYL

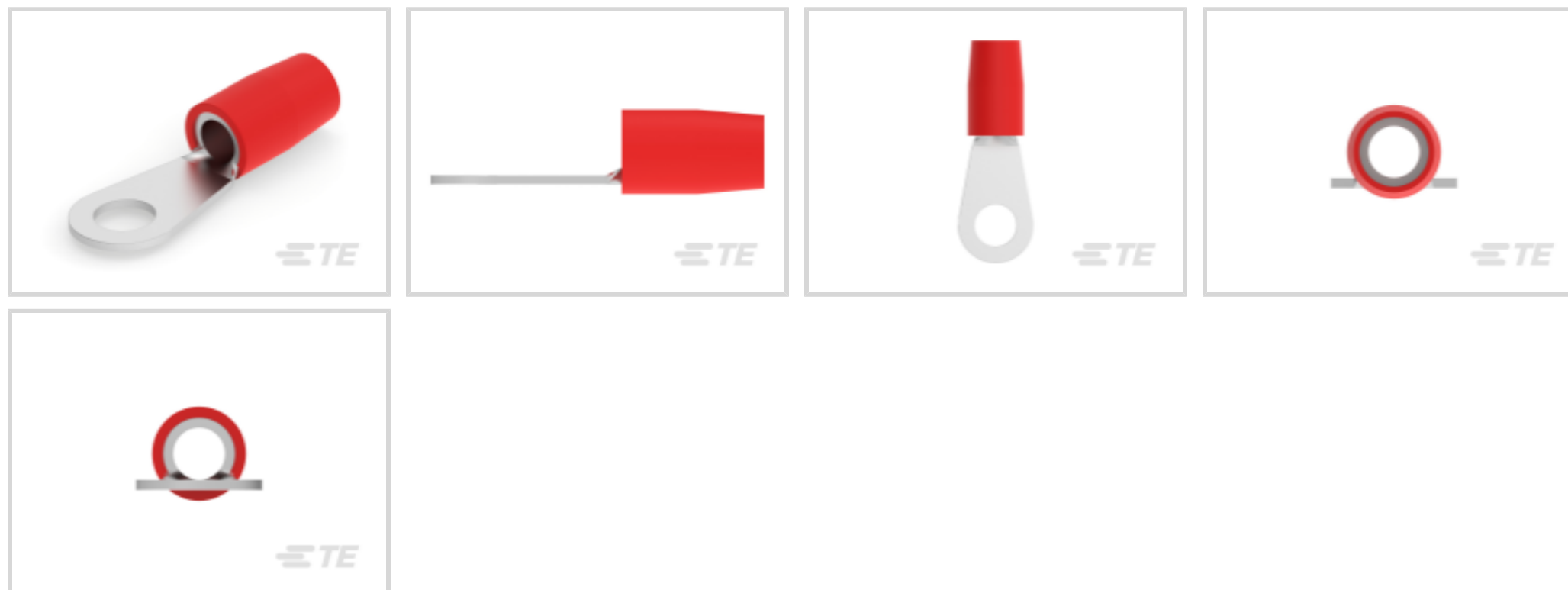
TE Internal #: 324082

Ring Terminals & Spade Terminals, Ring Tongue, 8 AWG Wire Size, 6.64 – 10.5 mm² Wire Size, 13100 – 20800 CMA Wire Size, Stud Size M6

[View on TE.com >](#)



Terminals & Splices > Ring Terminals & Spade Terminals



Ring & Spade Terminal Type: **Ring Tongue**

Wire Size: **13100 – 20800 CMA**

Stud Size: **M6**

Features

Product Type Features

Shape Description	RING-047
Stud Size	M6
Sealable	No
Wire Insulation Support Retention Type	Insulation Support

Configuration Features

Number of Holes	1
Terminal Angle	180 °

Body Features

Inspection Slot	No
Insulation Sleeve Color	Red
Weight per Piece	3.14 g
Stripe Color	Red

Contact Features

Ring & Spade Terminal Type	Ring Tongue
Barrel Type	Closed



Terminal Orientation	Straight
----------------------	----------

Terminal Plating Material	Tin
---------------------------	-----

Mechanical Attachment

Wire Insulation Support	With
-------------------------	------

Dimensions

Wire Size	13100 – 20800 CMA
-----------	-------------------

Stud Diameter	6.35 mm[.25 in]
---------------	-----------------

Tongue Thickness	.79 mm[.031 in]
------------------	-----------------

Overall Product Length	36.2 mm[1.425 in]
------------------------	-------------------

Accepts Wire Insulation Diameter (Max)	6.5 mm[.256 in]
--	-----------------

Accepts Wire Insulation Diameter Range	6.5 mm[.256 in]
--	-----------------

Usage Conditions

Insulation Option	Partially Insulated
-------------------	---------------------

Operating Temperature Range	105 °C[221 °F]
-----------------------------	----------------

Operation/Application

Compatible With Wire Base Material	Copper
------------------------------------	--------

Compatible With Wire Plating Material	Tin
---------------------------------------	-----

Heavy Duty	No
------------	----

Industry Standards

Government Qualified	No
----------------------	----

Packaging Features

Packaging Quantity	100
--------------------	-----

Packaging Method	Loose Piece
------------------	-------------

Product Compliance

[For compliance documentation, visit the product page on TE.com>](#)

EU RoHS Directive 2011/65/EU	Compliant
------------------------------	-----------

EU ELV Directive 2000/53/EC	Compliant
-----------------------------	-----------

China RoHS 2 Directive MIIT Order No 32, 2016	No Restricted Materials Above Threshold
---	---

EU REACH Regulation (EC) No. 1907/2006	Current ECHA Candidate List: JUNE 2022 (224) Candidate List Declared Against: JUNE 2022 (224)
--	--



Does not contain REACH SVHC

Halogen Content

BFR/CFR/PVC Free, but Br/Cl >900 ppm in other sources.

Solder Process Capability

Not applicable for solder process capability

Product Compliance Disclaimer

This information is provided based on reasonable inquiry of our suppliers and represents our current actual knowledge based on the information they provided. This information is subject to change. The part numbers that TE has identified as EU RoHS compliant have a maximum concentration of 0.1% by weight in homogenous materials for lead, hexavalent chromium, mercury, PBB, PBDE, DBP, BBP, DEHP, DIBP, and 0.01% for cadmium, or qualify for an exemption to these limits as defined in the Annexes of Directive 2011/65/EU (RoHS2). Finished electrical and electronic equipment products will be CE marked as required by Directive 2011/65/EU. Components may not be CE marked. Additionally, the part numbers that TE has identified as EU ELV compliant have a maximum concentration of 0.1% by weight in homogenous materials for lead, hexavalent chromium, and mercury, and 0.01% for cadmium, or qualify for an exemption to these limits as defined in the Annexes of Directive 2000/53/EC (ELV). Regarding the REACH Regulation, the information TE provides on SVHC in articles for this part number is based on the latest European Chemicals Agency (ECHA) 'Guidance on requirements for substances in articles' posted at this URL: <https://echa.europa.eu/guidance-documents/guidance-on-reach>

Compatible Parts



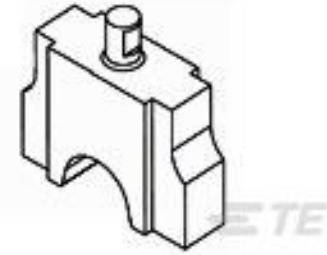
TE Part # 59974-1
HYP8 8-2AWG MANUAL TOOL-No Dies



TE Part # 47820
HYP8 TERMINYL 8AWG DIE SET



TE Part # 1490597-1
HYP10 TERMINYL 8AWG DIE SET



TE Part # 1901006-1
ASSEMBLY, TERMINYL DIE #8



TE Part # 601129-2
HAND TOOL (A.S.I.)

Customers Also Bought



TE Part #51864-1
TERM, RT, PIDG, 16-14, #8



TE Part #324049
TERMINAL,T-N R 6 3/8



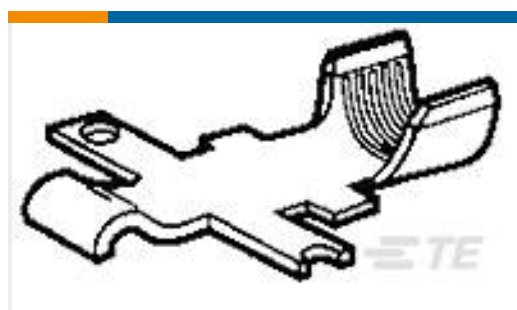
TE Part #324044
TERMINAL,T-N R 8 5/16



TE Part #53884-3
HSG ASSY,PWR LK,SRS2,1 POS,BLK



TE Part #324045
TERMINAL,T-N R 8 3/8



TE Part #53880-2
CONTACT,PWR LK,SRS2,STRIP,CRMP



TE Part #66582-2
TYPE VI SKT CONT,MULTI-MATE



TE Part #53892-2
CONTACT,PWR LK,SRS1,STRIP,CRMP



TE Part #1-172165-6
2CIR MINI U-M-N-L PLUG BLUE

Documents

Product Drawings

[TERMINAL,T-N R 8 1/4](#)

English

CAD Files

[3D PDF](#)

3D

Customer View Model

[ENG_CVM_CVM_324082_N.2d_dxf.zip](#)

English

Customer View Model

[ENG_CVM_CVM_324082_N.3d_igs.zip](#)

English

Customer View Model

[ENG_CVM_CVM_324082_N.3d_stp.zip](#)

English

[3D PDF](#)

English

Customer View Model

[ENG_CVM_324082_F.2d_dxf.zip](#)

English

Customer View Model

[ENG_CVM_324082_F.3d_igs.zip](#)

English

Customer View Model

[ENG_CVM_324082_F.3d_stp.zip](#)

English



By downloading the CAD file I accept and agree to the [Terms and Conditions](#) of use.

Product Environmental Compliance

TE Material Declaration

English