

344265-1 ✓ ACTIVE

AMP | Econoseal

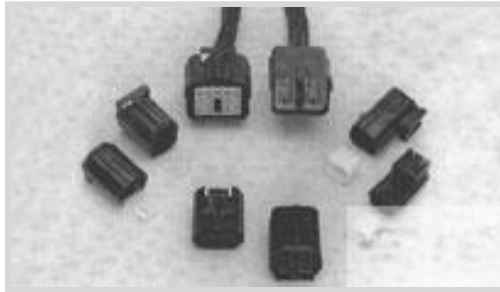
TE Internal #: 344265-1

Housing for Male Terminals, Wire-to-Wire, 6 Position, .189 in [4.8 mm] Centerline, Sealable, Black, Cable Mount (Free-Hanging), Econoseal

[View on TE.com >](#)



Connectors > Automotive Connectors > Connector Housings > ECONOSEAL, CONNECTOR HOUSING



Connector & Housing Type: **Housing for Male Terminals**

Connector System: **Wire-to-Wire**

Number of Positions: **6**

Centerline (Pitch): **4.8 mm [.189 in]**

Sealable: **Yes**

[All ECONOSEAL, CONNECTOR HOUSING \(90\)](#)

Features

Product Type Features

Connector & Housing Shape	Rectangular
Connector & Housing Type	Housing for Male Terminals
Connector System	Wire-to-Wire
Sealable	Yes
Hybrid Connector	No
Primary Locking Feature	Integrated in Housing

Configuration Features

Number of Positions	6
Number of Rows	2

Body Features

Cable Exit Angle	180°
Body Material	PA
Primary Product Color	Black

Contact Features

Contact Size	1.8mm
--------------	-------

Mechanical Attachment



Terminal Position Assurance	Yes
Strain Relief	Without
Mating Alignment Type	Polarizing Rib
Mating Alignment	With
Connector Mounting Type	Cable Mount (Free-Hanging)

Housing Features

Centerline (Pitch)	4.8 mm[.189 in]
--------------------	-----------------

Dimensions

Product Width	36.35 mm[1.431 in]
Product Length	23.18 mm[.912 in]
Product Height	26.3 mm[1.035 in]
Row-to-Row Spacing	5.6 mm[.22 in]

Packaging Features

Packaging Quantity	800
Packaging Method	Box

Other

Connector Position Assurance Capable	No
--------------------------------------	----

Product Compliance

[For compliance documentation, visit the product page on TE.com>](#)

EU RoHS Directive 2011/65/EU	Compliant
EU ELV Directive 2000/53/EC	Compliant
China RoHS 2 Directive MIIT Order No 32, 2016	No Restricted Materials Above Threshold
EU REACH Regulation (EC) No. 1907/2006	Current ECHA Candidate List: JUNE 2022 (224) Candidate List Declared Against: JUNE 2022 (224) Does not contain REACH SVHC
Halogen Content	Low Halogen - Br, Cl, F, I < 900 ppm per homogenous material. Also BFR/CFR/PVC Free
Solder Process Capability	Not applicable for solder process capability

Product Compliance Disclaimer

This information is provided based on reasonable inquiry of our suppliers and represents our current actual knowledge based on the information they provided. This information is subject to change. The part numbers that TE has identified as

EU RoHS compliant have a maximum concentration of 0.1% by weight in homogenous materials for lead, hexavalent chromium, mercury, PBB, PBDE, DBP, BBP, DEHP, DIBP, and 0.01% for cadmium, or qualify for an exemption to these limits as defined in the Annexes of Directive 2011/65/EU (RoHS2). Finished electrical and electronic equipment products will be CE marked as required by Directive 2011/65/EU. Components may not be CE marked. Additionally, the part numbers that TE has identified as EU ELV compliant have a maximum concentration of 0.1% by weight in homogenous materials for lead, hexavalent chromium, and mercury, and 0.01% for cadmium, or qualify for an exemption to these limits as defined in the Annexes of Directive 2000/53/EC (ELV). Regarding the REACH Regulation, the information TE provides on SVHC in articles for this part number is based on the latest European Chemicals Agency (ECHA) 'Guidance on requirements for substances in articles' posted at this URL: <https://echa.europa.eu/guidance-documents/guidance-on-reach>

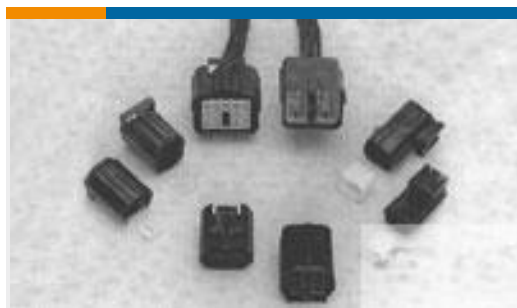
Compatible Parts



TE Part # CAT-EC7491-T273
Econoseal Receptacles and Tabs



TE Part # 1-344267-1
6 WAY REC. HSG. NBR. SEALECONO

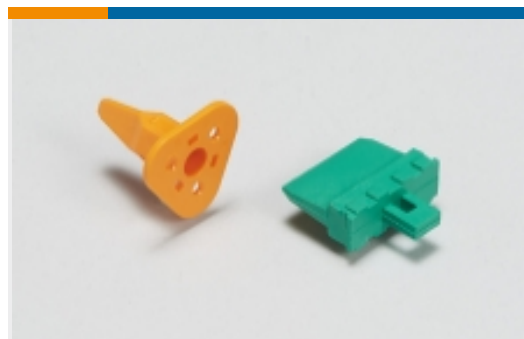


TE Part # 345259-1
ANTI-BACKOUT 6WAY TAB
HSGECONO

Also in the Series | Econoseal



Automotive Connector Caps & Covers
(1)



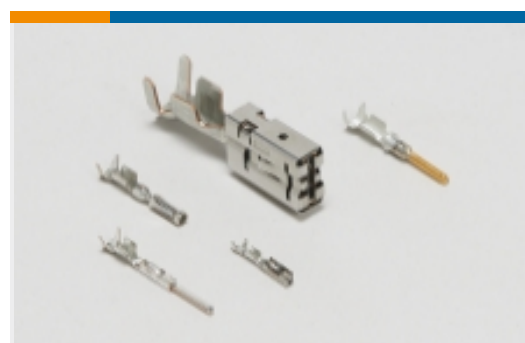
Automotive Connector Locks &
Position Assurance(25)



Automotive Housings(62)



Automotive Seals & Cavity Plugs(17)



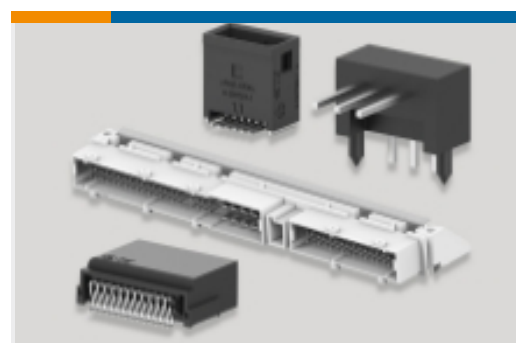
Automotive Terminals(47)



Insertion & Extraction Tools(7)



Other Automotive Connector
Accessories(5)

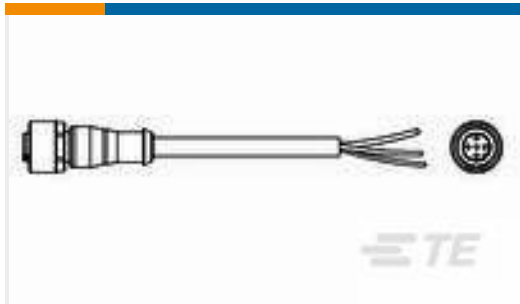


PCB Headers & Receptacles(4)

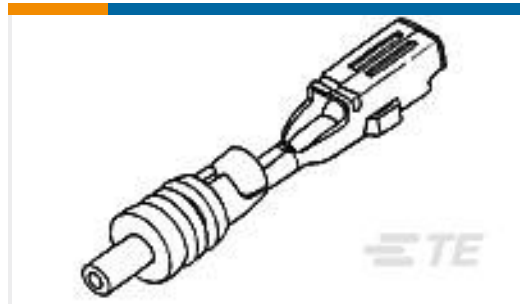


Primary Wire(1)

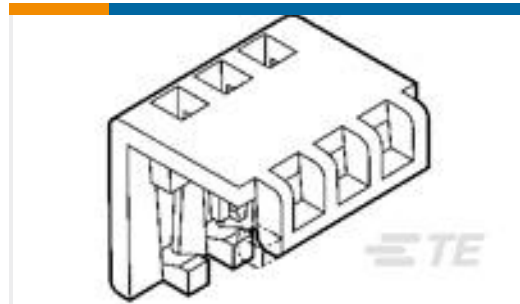
Customers Also Bought



TE Part #1-2273029-1
M12 x 1.0 straight socket pigtail A



TE Part #345806-1
ECONO CONTACT REC



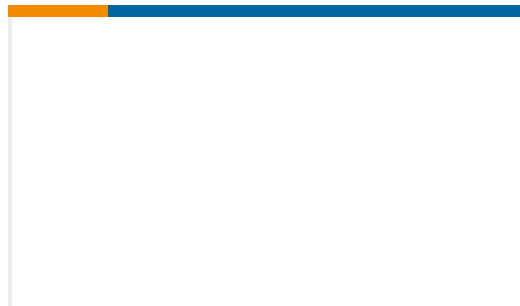
TE Part #1-643075-2
12P MTA100 MOLDED COVER



TE Part #HDP24-24-18SE
DEUTSCH HDP20 HOUSINGS



TE Part #347874-1
CABLE SEAL LC SILICON 0.5 T



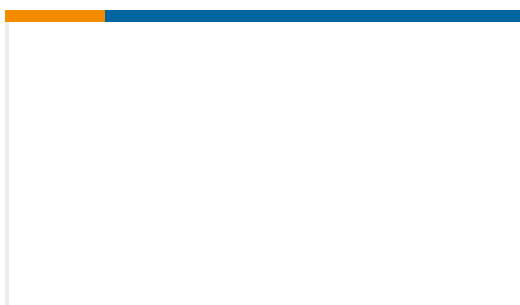
TE Part #345260-1
ANTI-BACKOUT 6WAY REC
HSGECONO



TE Part #344274-1
2 WAY TAB HOUSING BLACK ECONO



TE Part #344267-1
6 WAY REC. HSG. SIL. SEALECONO



TE Part #345256-1
ANTI-BACKOUT 3WAY REC
HSGECONO

Documents

Product Drawings

[6 WAY TAB HSG.- BLACK ECONO](#)

English

CAD Files

[3D PDF](#)

English

Customer View Model

[ENG_CVM_344265-1_C.2d_dxf.zip](#)



English

Customer View Model

[ENG_CVM_344265-1_C.3d_igs.zip](#)

English

Customer View Model

[ENG_CVM_344265-1_C.3d_stp.zip](#)

English

By downloading the CAD file I accept and agree to the [Terms and Conditions](#) of use.

Datasheets & Catalog Pages

[Econoseal Connector Series](#)

English