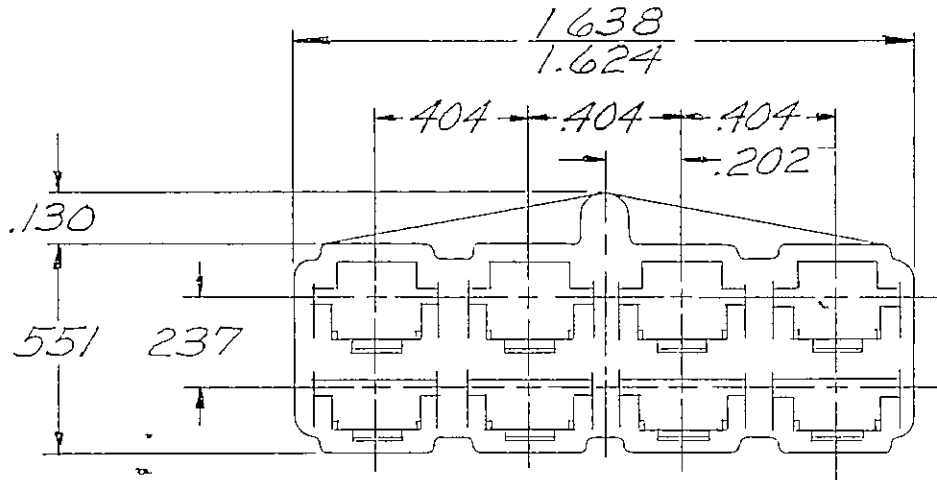
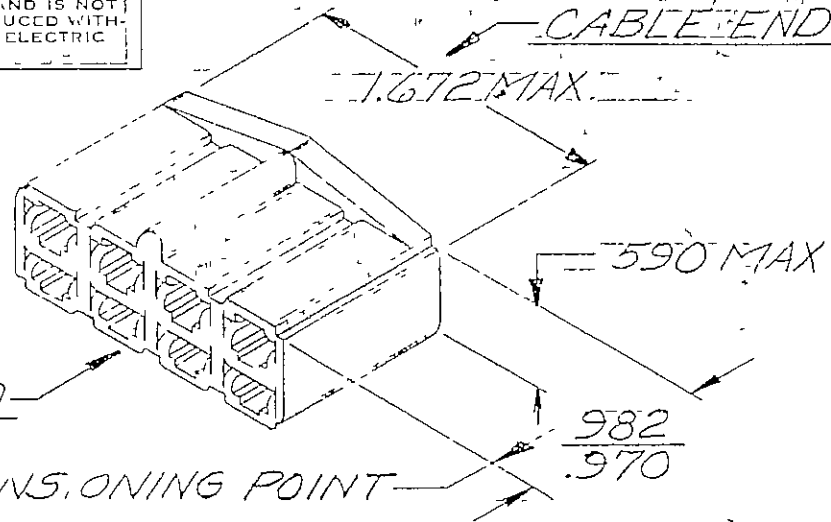


DO NOT SCALE

THIS DRAWING AND DESIGN HEREON CONSTITUTES A PROPRIETARY DESIGN OF PACKARD ELECTRIC DIVISION AND IS NOT TO BE DUPLICATED OR REPRODUCED WITHOUT AUTHORITY OF PACKARD ELECTRIC DIVISION.

D



C02D1573

NOTE: MATING MALE CONNECTOR BODY = 2969789 (REF.)

OUTLINE DWG.

PART NO. 2965977 SIZE A

DATE	SYM	REVISION RECORD	C/N NO.
2-28-62		OUTLINE DWG ISSUED	1115
		TO SUPPLEMENT	
		DETAIL DWG.	
8-10-71		DIM. POINT RELOCATED & REF DWG.	43708
		WAS 2962857-C	
110C85		ADDED CODE NO. 6901	85004

CODE NO	6900, 6901	TOLERANCE UNLESS OTHERWISE SPECIFIED DECIMAL ±.005 FRACTIONAL ANGULAR
---------	---------------	--

DWG DATE	3-6-62	SCALE	NONE	DR	E. R. MARAS
ROUTING		CK		APPR	Plane 3-6
DEPT		APPR		APPR	3
OUTST		APPR		APPR	3-6-62
REFERENCE	2962857-D	APPR		APPR	J. D. Kearns

MATERIAL SPEC	POLYPROPYLENE (BLK)	CODE NO	
---------------	---------------------	---------	--

NAME	CONN. BODY - 56 SERIES - 8 FEMALE TERMINALS
------	---

PART NO. 2965977 SIZE A

PACKARD ELECTRIC DIVISION  
GENERAL MOTORS CORPORATION  
WARREN, OHIO

99A  
304  
174A  
76V  
36V  
122V  
51-05H  
95A-T(2)  
174  
14974A