

321064 ✓ ACTIVE

SOLISTRAND

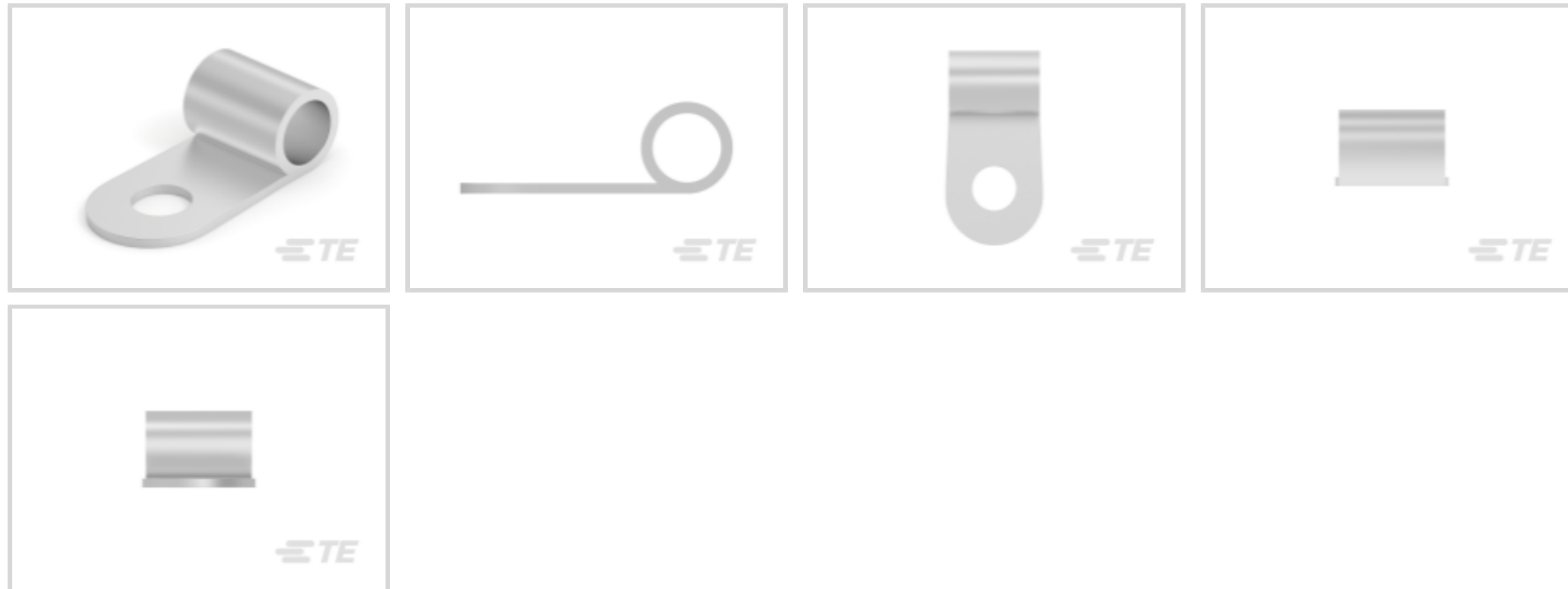
TE Internal #: 321064

Ring Terminals & Spade Terminals, Flag Ring Tongue, 2 AWG Wire Size, 26.7 – 42.4 mm<sup>2</sup> Wire Size, 52600 – 83700 CMA Wire Size, Stud Size M8 / 5/16

[View on TE.com >](#)



Terminals & Splices > Ring Terminals & Spade Terminals



Ring & Spade Terminal Type: **Flag Ring Tongue**

Wire Size: **52600 – 83700 CMA**

Stud Size: **5/16, M8**

**Features**

**Product Type Features**

Shape Description	RING-091
Stud Size	5/16, M8
Sealable	No
Wire Insulation Support Retention Type	Non-Insulation Support

**Configuration Features**

Number of Holes	1
Terminal Angle	180 °

**Body Features**

Weight per Piece	13.172 g
------------------	----------

**Contact Features**

Ring & Spade Terminal Type	Flag Ring Tongue
Barrel Type	Closed
Terminal Orientation	Offset
Terminal Plating Material	Tin

**Mechanical Attachment**



Wire Insulation Support	Without
-------------------------	---------

### Dimensions

Wire Size	52600 – 83700 CMA
Stud Diameter	8.33 mm[.328 in]
Tongue Thickness	.79 mm[.031 in]
Overall Product Length	36.5 mm[1.437 in]
Barrel Inside Diameter	9.07 mm[.357 in]

### Usage Conditions

Insulation Option	Uninsulated
Operating Temperature Range	170 °C[338 °F]

### Operation/Application

Compatible With Wire Base Material	Copper
Compatible With Wire Plating Material	Tin
Heavy Duty	No

### Industry Standards

Government Qualified	No
----------------------	----

### Packaging Features

Packaging Quantity	50
Packaging Method	Box

### Product Compliance

[For compliance documentation, visit the product page on TE.com>](#)

EU RoHS Directive 2011/65/EU	Compliant
EU ELV Directive 2000/53/EC	Compliant
China RoHS 2 Directive MIIT Order No 32, 2016	No Restricted Materials Above Threshold
EU REACH Regulation (EC) No. 1907/2006	Current ECHA Candidate List: JUNE 2022 (224) Candidate List Declared Against: JAN 2022 (223) SVHC > Threshold: Not Yet Reviewed
Halogen Content	Low Halogen - Br, Cl, F, I < 900 ppm per homogenous material. Also BFR/CFR/PVC Free
Solder Process Capability	Not applicable for solder process capability

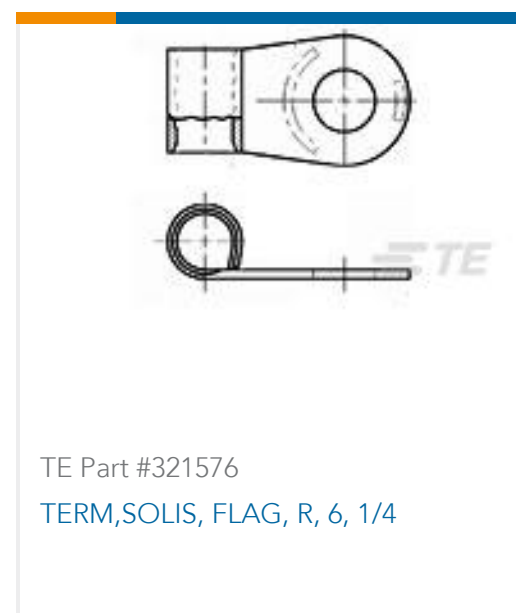
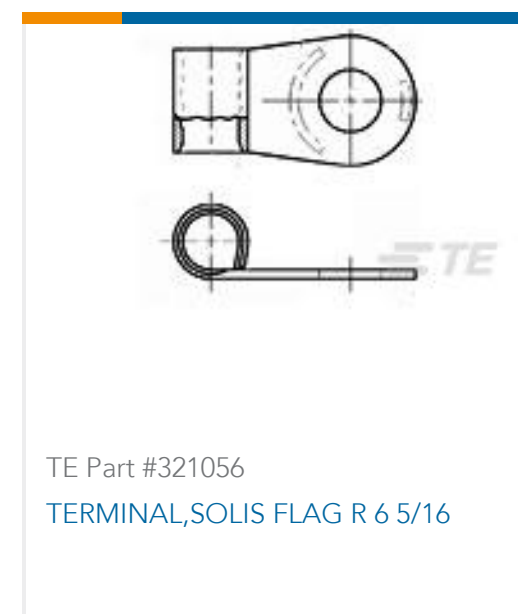
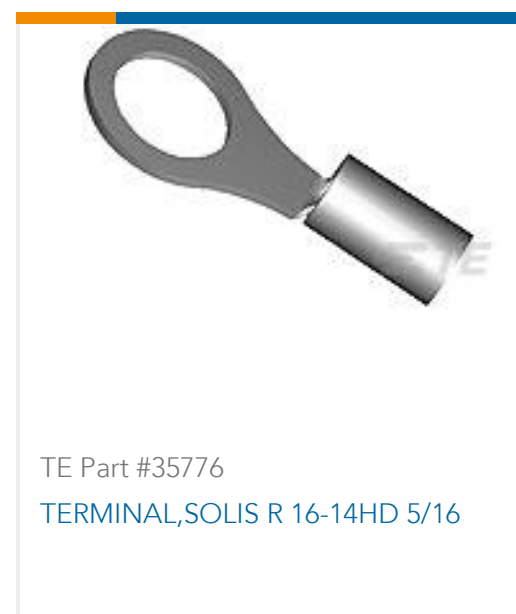
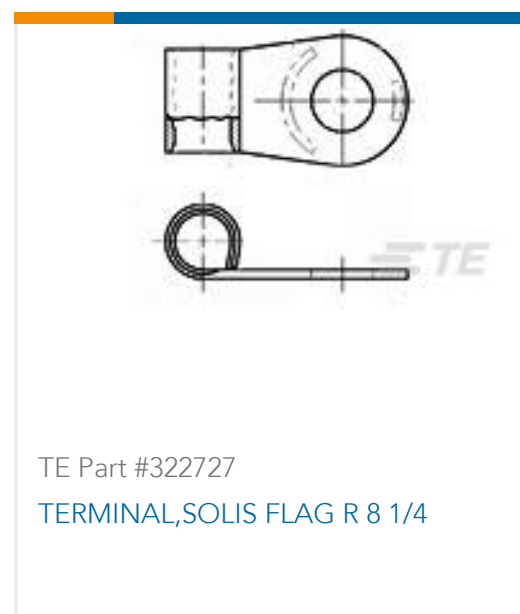
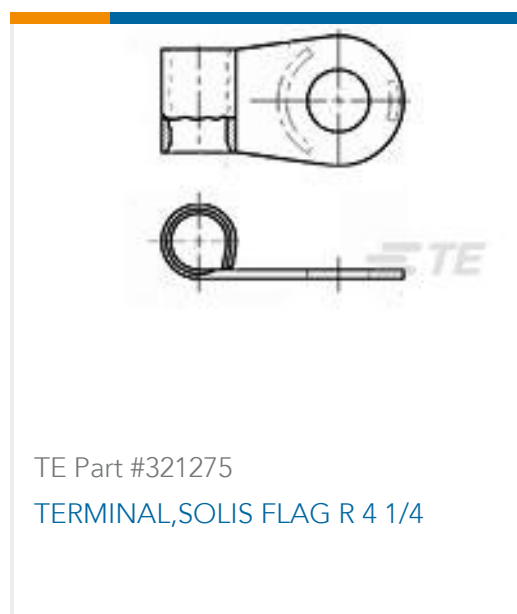
## Product Compliance Disclaimer

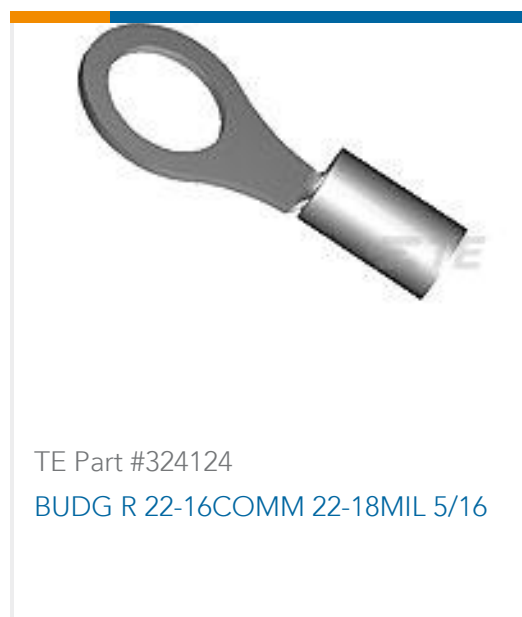
This information is provided based on reasonable inquiry of our suppliers and represents our current actual knowledge based on the information they provided. This information is subject to change. The part numbers that TE has identified as EU RoHS compliant have a maximum concentration of 0.1% by weight in homogenous materials for lead, hexavalent chromium, mercury, PBB, PBDE, DBP, BBP, DEHP, DIBP, and 0.01% for cadmium, or qualify for an exemption to these limits as defined in the Annexes of Directive 2011/65/EU (RoHS2). Finished electrical and electronic equipment products will be CE marked as required by Directive 2011/65/EU. Components may not be CE marked. Additionally, the part numbers that TE has identified as EU ELV compliant have a maximum concentration of 0.1% by weight in homogenous materials for lead, hexavalent chromium, and mercury, and 0.01% for cadmium, or qualify for an exemption to these limits as defined in the Annexes of Directive 2000/53/EC (ELV). Regarding the REACH Regulation, the information TE provides on SVHC in articles for this part number is based on the latest European Chemicals Agency (ECHA) 'Guidance on requirements for substances in articles' posted at this URL: <https://echa.europa.eu/guidance-documents/guidance-on-reach>

## Compatible Parts



## Customers Also Bought





## Documents

### Product Drawings

[TERMINAL,SOLIS FLAG R 2 5/16](#)

English

### CAD Files

#### 3D PDF

3D

Customer View Model

[ENG\\_CVM\\_CVM\\_321064\\_P.2d\\_dxf.zip](#)

English

Customer View Model

[ENG\\_CVM\\_CVM\\_321064\\_P.3d\\_igs.zip](#)

English

Customer View Model

[ENG\\_CVM\\_CVM\\_321064\\_P.3d\\_stp.zip](#)

English

Customer View Model

[ENG\\_CVM\\_321064\\_C.3d\\_igs.zip](#)

English

Customer View Model

[ENG\\_CVM\\_321064\\_C.3d\\_stp.zip](#)

English

Customer View Model

[ENG\\_CVM\\_321064\\_C.2d\\_dxf.zip](#)

English

#### 3D PDF

English

By downloading the CAD file I accept and agree to the [Terms and Conditions](#) of use.

### Agency Approvals

#### UL Report

English

#### UL Report

English

321064

Ring Terminals & Spade Terminals, Flag Ring Tongue, 2 AWG Wire Size, 26.7 – 42.4 mm<sup>2</sup> Wire Size, 52600 – 83700 CMA Wire Size, Stud Size M8 / 5/16

