

338696-1 ✓ ACTIVE

FASTIN-FASTON | FASTIN-FASTON 110

TE Internal #: 338696-1

Crimp Terminal Housings, Tab, Tab Housing, 16 Position, Straight,  
UL 94V-0, Black, PBT, Mating Alignment, FASTIN-FASTON 110

[View on TE.com >](#)



Terminals & Splices > Terminal Housings, Insulation Sleeves & Blocks > Crimp Terminal Housings



Terminal Type: **Tab**

Housing Type: **Tab Housing**

Number of Positions: **16**

Terminal Orientation: **Straight**

UL Flammability Rating: **UL 94V-0**

## Features

### Product Type Features

Product Type	Terminal Housing
Sealable	No
Housing Type	Tab Housing
Insulated	No

### Configuration Features

Number of Positions	16
---------------------	----

### Body Features

Primary Product Color	Black
-----------------------	-------

### Contact Features

Terminal Type	Tab
Terminal Orientation	Straight
Contact Mating Retention	Without

### Mechanical Attachment

Mating Alignment	With
------------------	------

## Crimp Terminal Housing Mounting Style

Cable Mount (Free-Hanging)

## Housing Features

Housing Material

PBT

Centerline (Pitch)

6 mm[.236 in]

## Dimensions

Length

35 mm[1.38 in]

## Usage Conditions

Operating Temperature Range

-40 – 105 °C[-40 – 221 °F]

## Industry Standards

UL Flammability Rating

UL 94V-0

## Packaging Features

Packaging Quantity

280

Packaging Method

Carton

## Product Compliance

[For compliance documentation, visit the product page on TE.com>](#)

EU RoHS Directive 2011/65/EU

Compliant

EU ELV Directive 2000/53/EC

Compliant

China RoHS 2 Directive MIIT Order No 32, 2016

No Restricted Materials Above Threshold

EU REACH Regulation (EC) No. 1907/2006

Current ECHA Candidate List: JUNE 2022 (224)  
 Candidate List Declared Against: JAN 2022 (223)  
 SVHC > Threshold:  
 Not Yet Reviewed

Halogen Content

Not Low Halogen - contains Br or Cl > 900 ppm.

Solder Process Capability

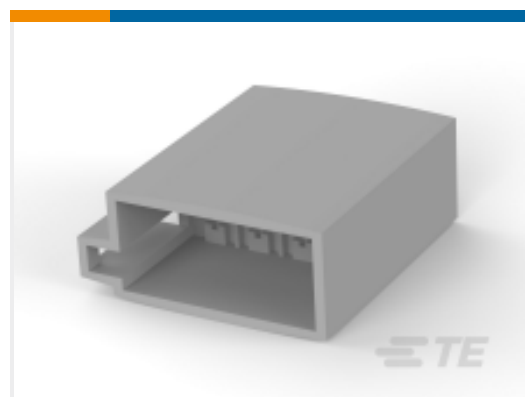
Not applicable for solder process capability

## Product Compliance Disclaimer

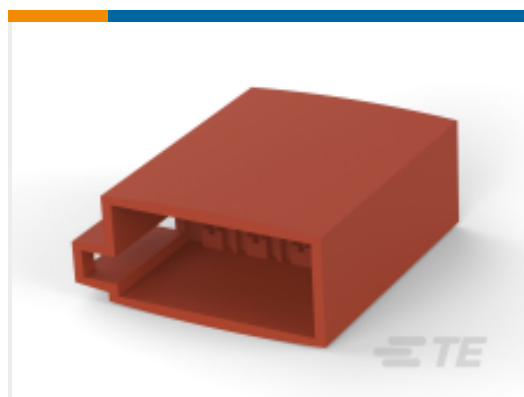
This information is provided based on reasonable inquiry of our suppliers and represents our current actual knowledge based on the information they provided. This information is subject to change. The part numbers that TE has identified as EU RoHS compliant have a maximum concentration of 0.1% by weight in homogenous materials for lead, hexavalent chromium, mercury, PBB, PBDE, DBP, BBP, DEHP, DIBP, and 0.01% for cadmium, or qualify for an exemption to these limits as defined in the Annexes of Directive 2011/65/EU (RoHS2). Finished electrical and electronic equipment products will be CE marked as required by Directive 2011/65/EU. Components may not be CE marked. Additionally, the part numbers that TE has identified as EU ELV compliant have a maximum concentration of 0.1% by weight in homogenous materials for lead, hexavalent chromium, and mercury, and 0.01% for cadmium, or qualify for an exemption to these limits as defined in the Annexes of Directive 2000/53/EC (ELV). Regarding the REACH Regulation, the information TE provides on SVHC in articles for this part number is based on the latest European Chemicals Agency (ECHA) 'Guidance on

requirements for substances in articles' posted at this URL: <https://echa.europa.eu/guidance-documents/guidance-on-reach>

## Compatible Parts



TE Part # 106455-3  
FF 110 PLUG HSG 8P.



TE Part # 106455-4  
FF 110 PLUG HSG 8P.



TE Part # 480116-3  
FF 250 TAB HSG 2P NYLON BLACK



TE Part # 521289-1  
FF 250 TAB HSG 1P NYLON NAT



TE Part # 626065-5  
HOUSING 2P .110 FASTIN-ON TAB



TE Part # 171444-1  
FF 250 TAB HSG 14P ASSY CONN



TE Part # 171445-1  
FF 250 TAB HSG 14P ASSY CONN



TE Part # 1-171433-9  
FF TAB HSG 6P NYLON BLACK



TE Part # 927203-1  
FF 250 TAB HSG 2P NYLON BLACK

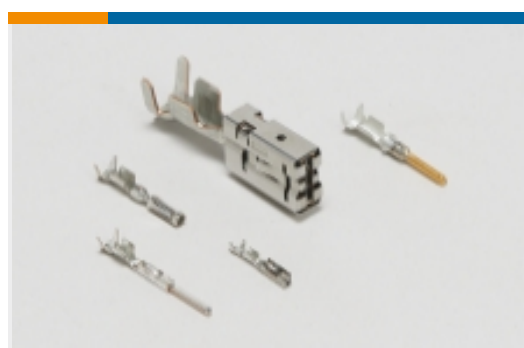


TE Part # 964473-1  
FF 110 TAB HSG 10P PBT BLACK

## Also in the Series | FASTIN-FASTON 110



Automotive Housings(1)



Automotive Terminals(4)



Crimp Terminal Housings(34)

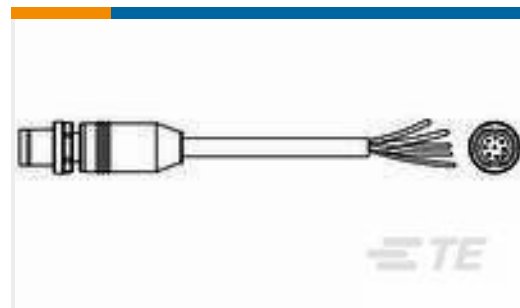
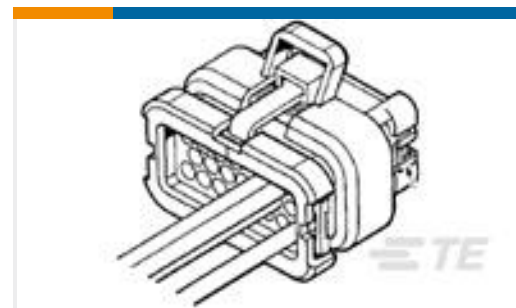
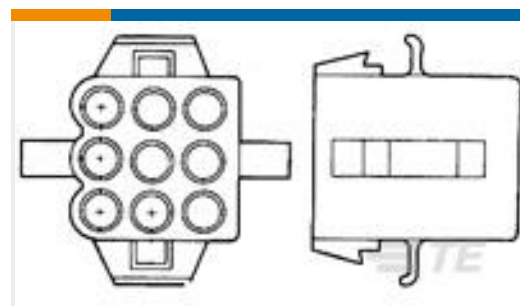
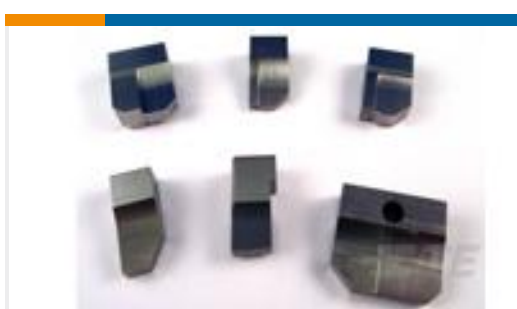


Insertion & Extraction Tools(3)



Quick Disconnects(83)

## Customers Also Bought

TE Part #936119-1  
4POS MQS RECTE Part #2273040-1  
M12 x 1.0 straight plug pigt ATE Part #776164-6  
35POS,AMPSEAL,SOC HSG ASSY,SLD,  
COD 6TE Part #1-962841-3  
TIMER, RECEPTACLE AND TABTE Part #456406-2  
CRIMPER-WIRE .090 FTE Part #880124  
9 CIR PLUG 140DIA PANEL MT NATTE Part #927892-1  
FF 110 TAB 0.5-1 MM2 PTP CUSN30TE Part #2-456135-4  
CRIMPER, INSULATION "O"(.120")TE Part #8-458834-8  
ANVIL

## Documents

### Product Drawings

[FASTIN FASTON \(FF\) HOUSING TAB](#)

English

### CAD Files

[Customer View Model](#)

[ENG\\_CVM\\_CVM\\_338696-1\\_E.2d\\_dxf.zip](#)

English

[3D PDF](#)



3D

Customer View Model

[ENG\\_CVM\\_CVM\\_338696-1\\_E.3d\\_igs.zip](#)

English

Customer View Model

[ENG\\_CVM\\_CVM\\_338696-1\\_E.3d\\_stp.zip](#)

English

By downloading the CAD file I accept and agree to the [Terms and Conditions](#) of use.

---

### Datasheets & Catalog Pages

[White Paper: Nylon Discoloration](#)

English

---

### Product Specifications

[Application Specification](#)

English